

# Robot S7

Self propelled stretch wrapping robot.

*Robopac presents a new range of self-propelled packaging machines, Robot S7.*

The use of advanced technologies and of the utmost attention to safety systems represents the essence of the developing capacity of Robopac. The machine is provided with a high level of packaging autonomy and great work flexibility and built to wrap and stabilize palletized loads of any shape, size and weight, using stretch film. Thanks to the innovative system for facilitated film insertion (ILS) through the opening of the carriage and to the Power Drive technology with brushless motorization, it is possible to control the film with extreme precision, guaranteeing perfect pre-stretching and the lowest consumption of film and energy in view of environmental sustainability.

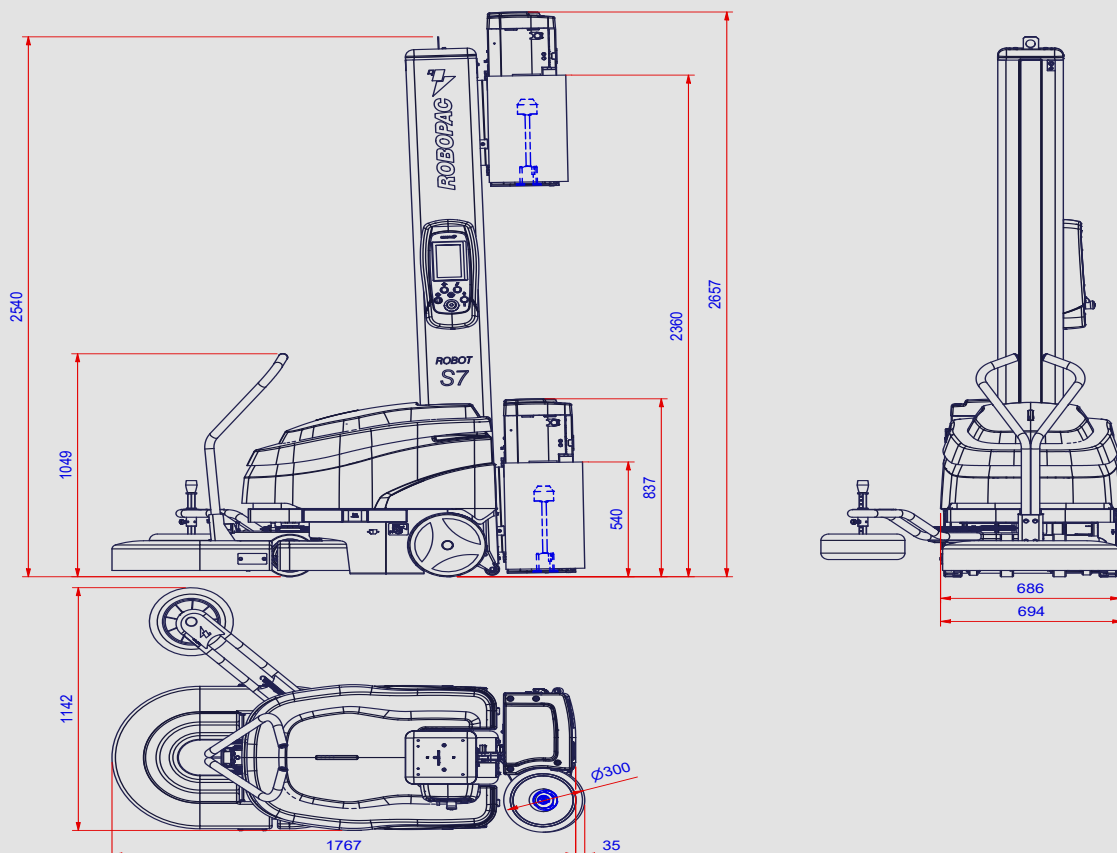
## Key Benefits

- Performance
- Flexibility
- Efficiency
- Connectivity
- Safety



# Robot S7

	ROBOT S7 FRD	ROBOT S7 FR	ROBOT S7 P3GS	ROBOT S7 PVS
Pallets per battery charge	>250	>250	>250	>250
Batteries	N°2 12 V 90 Ah Pb/Acid (std.) N°1 24 V 50 Ah Lithium (opt.)	N°2 12 V 90 Ah Pb/Acid (std.) N°1 24 V 50 Ah Lithium (opt.)	N°2 12 V 90 Ah Pb/Acid (std.) N°1 24 V 50 Ah Lithium (opt.)	N°2 12 V 90 Ah Pb/Acid (std.) N°1 24 V 50 Ah Lithium (opt.)
Max. Product Height	2200 std. 2400/2800 opt.	2200 std. 2400/2800 opt.	2200 std. 2400/2800/3100 opt.	2200 std. 2400/2800/3100 opt.
Min. Dimensions (LxW)	600x600mm	600x600mm	600x600mm	600x600mm
Film carriage type	FRD	FR	P3GS	PVS
Film stretch	manual	adjustable from panel	adjustable from panel	adjustable from panel
Film pre-stretch	n.a.	n.a.	0% - 230 % - 300 % (std.) 0% - 150% - 250% (opt.)	variabile/variable 0-500%
Power supply (V)	100-240 V (1Ph) 50/60Hz	100-240 V (1Ph) 50/60Hz	100-240 V (1Ph) 50/60Hz	100-240 V (1Ph) 50/60Hz
Installed power (kW)	0,5 (Pb/Acid) / 0,8 (Lithium)	0,5 (Pb/Acid) / 0,8 (Lithium)	0,5 (Pb/Acid) / 0,8 (Lithium)	0,5 (Pb/Acid) / 0,8 (Lithium)
Rotation speed (m/min)	35/80	35/80	35/80	35/80
Carriage up-down speed (m/min)	1,5/5	1,5/5	1,5/5	1,5/5
Max. reel size (HxØ)	500x300	500x300	500x300	500x300
Max. reel weight (kg)	20	20	20	20
Film thickness (µm)	7/35	7/35	7/35	7/35



## Robotic Automation p/l

14/4 Avenue of Americas  
Newington, NSW 2127  
Australia

Tel. 1300 552 333  
sales@ragroup.com.au  
www.ragroup.com.au

All drawing dimensions in mm. Technical data may be subject to change without previous notice.  
Please request detailed drawings at webenquiry@ragroup.com.au

V01 - March 2024

