



POWERREX SL2950H 4.5 ton two post lift clear floor

Manufactured In Korea, the Powerrex SL2950H 2 Post vehicle hoist is a Wide Body Hoist with 4.5 Tonne Lift Capacity. The SL2950H will lift small passenger cars through to 4WD and light commercial vehicles.



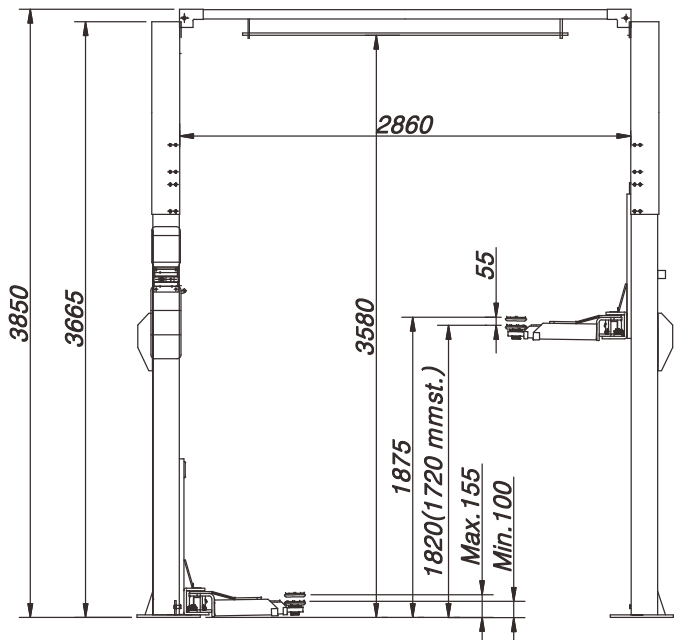
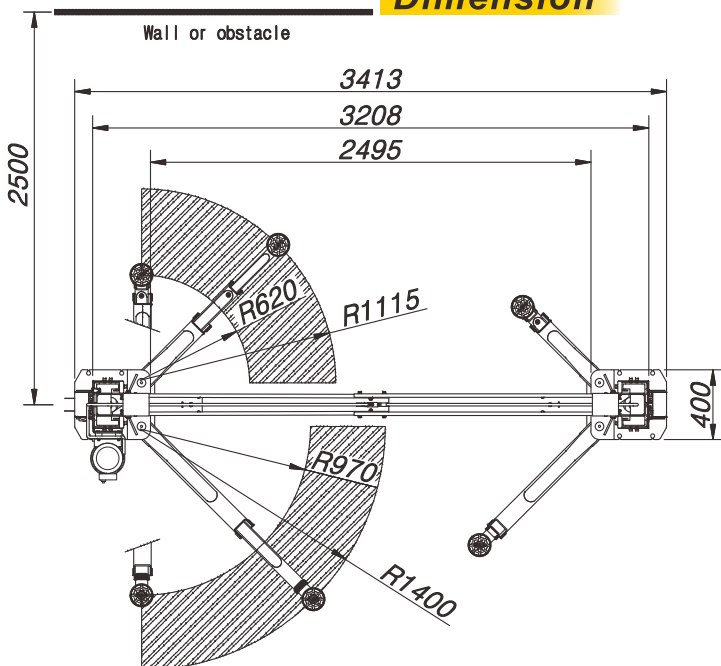
Feature

- Dual packing hydraulic cylinders for ultimate power & stability
- 3 different height adjustment of rubber supporting pad
- Dual wire structure makes perfect synchronization
- Automatic arm locking device
- Automatic Electrical Locking System
- Cable remote control included
- Direct Lowering button

Specification

Max(Capacity)	4,500kg	
Max. Height	1,820mm~1,875 mm	
Lowest Height	100~155 mm	
Size(mm)	3,850(H)x2,860(L)x3,413(W)	
Lifting Time (60Hz)	about 30 sec fast motor	
Lowering Time(60Hz)	about 40 sec	
Power & Motor	Optional	Single 2.5HPx3Px220Vx60Hz
	Standard	3phase 2HPx5Px380Vx60Hz 2HPx4Px220Vx60Hz
Operation Method	Control panel and/or wired remote control type.	

Dimension



INTEREQUIP
INTEREQUIP PTY LTD.

www.interequip.com.au
E-mail: info@interequip.com.au
TEL: Australia 18000EQUIP (1800 037 847)