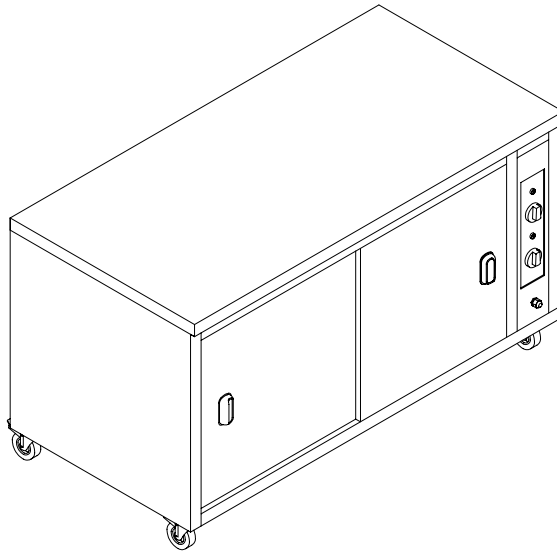




HOT CUPBOARD (ELECTRICAL)

USER'S MANUAL



PRODUCTION YEAR:

SERIAL NO :



MANUFACTURER : ÖZTİRYAKİLER MADENİ EŞYA SAN. VE TİC A.Ş.

PRODUCTION SITE : Cumhuriyet Mh. Eski Hadımköy Yolu No:37 Büyükçekmece İstanbul/TÜRKİYE
Phone : 0090 212 886 78 00 (8 Hat-Lines) Fax : 0090 212 886 66 29

Our website: www.oztiryakiler.com.tr e-mail: export@oztiryakiler.com.tr

Published on

: 23.01.2007

VER . 05

1/16

TABLE OF CONTENTS

PAGE NR.	TOPICS
1	COVER PAGE
2	TABLE OF CONTENTS
3	INTRODUCTION
4	TECHNICAL DATA
5	ELECTRICAL CIRCUIT DIAGRAM
6	MAIN DIMENSIONS
7	WARNING SIGNS
8 – 9	SAFETY DETAILS
10	TRANSPORTING AND MOVING
11	INSTALLATION OF THE DEVICE
12	CONTROL BOARDS
13 -14	OPERATION OF THE DEVICE
15	CLEAN-UP AND MAINTENANCE
16	TERMS OF GUARANTEE



CAUTION

This device should only be used in facilities where relevant standards, laws and safety requirements are complied with

INTRODUCTION




Dear User,

Thank you for purchasing our device and for your reliance upon our company. Our devices have been used within our customers kitchen, your kitchen in 75 countries. Our devices are produced in compliance with international standards. Important notice: Please read or ensure that the users read this user's manual in order to achieve the desired performance in line with your expectations and to use your device for long years. Please take the warnings mentioned above into consideration before calling for service...

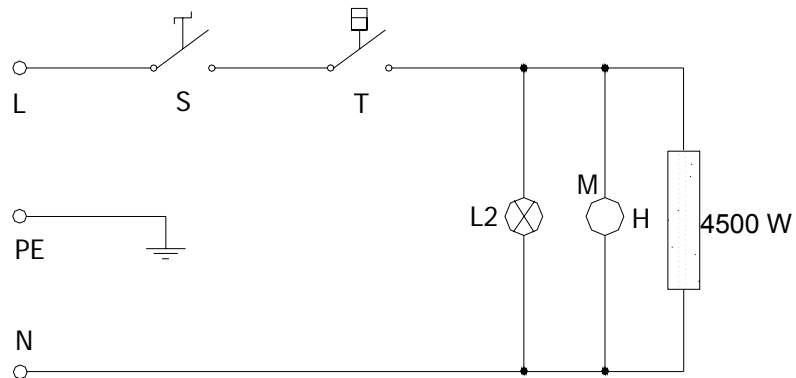
-
- ☞ Please read and ensure that your operation personnel also reads this user's manual carefully before installing and using the device. If the device is operated without reading the user's manual, the device will not be covered by the guarantee.
 - ☞ The manual containing information about installation, usage and maintenance of our product you purchased should be read carefully. Please ensure that power supply connections to the device are already installed by qualified personnel according to local legislation, before our authorized service personnel arrives for the installation of the device.
 - ☞ If you are confused or you don't have enough information please get in touch with authorized service by phone.
 - ☞ Please keep in mind that, if the service personnel is delayed at your site, related expenses and delay costs will be charged to you on hourly basis.
 - ☞ We hope that you will get the best performance from our product...



TECHNICAL DATA

YOUR DEVICE'S TYPE	 OSD 800	 OSD 1200	 OSD 1600
MAIN DIMENSIONS (mm)	800X700X550	1200X700X550	1600X700X550
TOTAL ELECTRICAL INPUT (W)	1538	1538	1538
POWER SUPPLY VOLTAGE (V)	230	230	230
WORKING FREQUENCY (Hz)	50	50	50
THERMOSTAT (°C)	30 – 90	30 – 90	30 – 90
SUPPLY CABLE	3 X 1,5	3 X 1,5	3 X 1,5
MAXIMUM SLOPE	5°	5°	5°
CLASS	1	1	1
PROTECTION CLASS	IP 21	IP 21	IP 21
FUSE CURRENT (A)	6,7	6,7	6,7

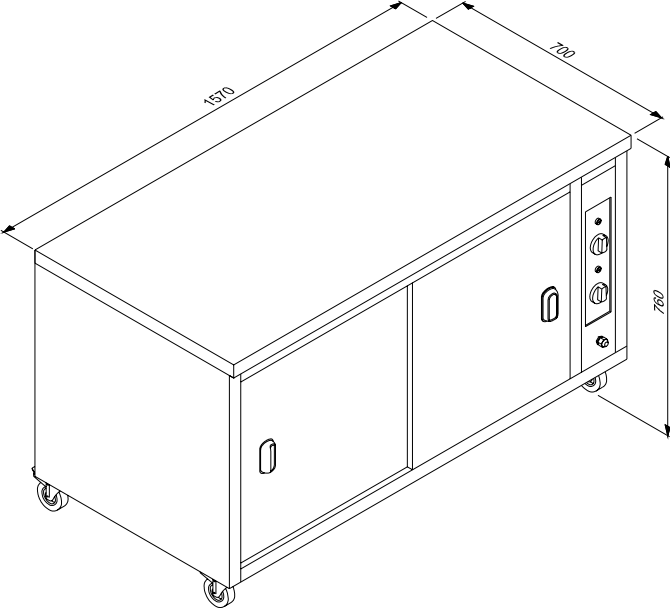
ELECTRICAL SCHEMA



ALL OSD SERIES

CODE	COMPONENTS
H	Resistance
L2	Thermostat lamp Green
T	Thermostat 30-90 °C
S	Switch
M	Motor

MAIN DIMENSIONS

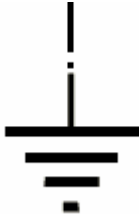


OSD 800

WARNING SIGNS



POWER NETWORK GROUNDING



PE

GROUNDING



POWER



OVERHEAT

POWER SUPPLY CONNECTIONS
220-240V NPE / 50 Hz
VOLTAGE: 220-240 V
SUPPLY CONNECTION: SINGLE PHASE
GROUNDED
FREQUENCY : 50 Hz

SAFETY DETAILS

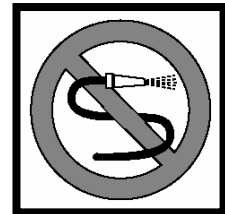
☞ The device should only be operated under a chimney hood



☞ Any kind of flammable solid and liquid material (cloths, alcohol and derivatives, petrochemical products, wooden and plastic materials, cutting blocks, curtains etc.) should never be held near the device.

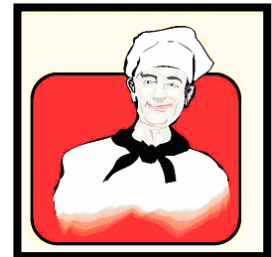


☞ Use can use this device simultaneously together with other products of ours.



☞ The device should not be immersed in water.

☞ Do not clean up the device with pressure water



☞ This device should be installed in line with effective regulations and only be operated in well ventilated places. Please refer to the instructions before installing and operating the device.

☞ This device is designed for industrial use and should only be operated by personnel trained on the device.

SAFETY DETAILS

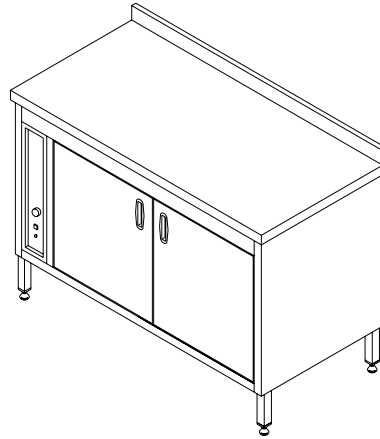
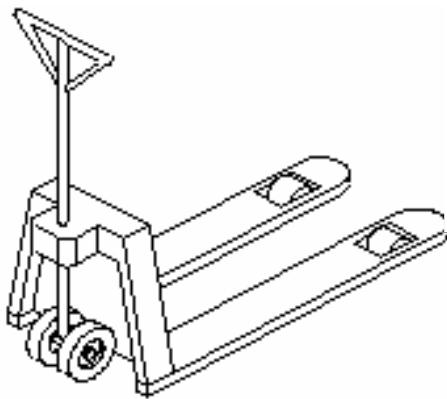
☞ The device should not be handled by anyone else except for the manufacturer or authorized service.



☞ In case of fire or flame in the area where the device is operated, act without panic, close gas valves, turn off power switches and use a fire extinguisher. Never use water to extinguish the fire.



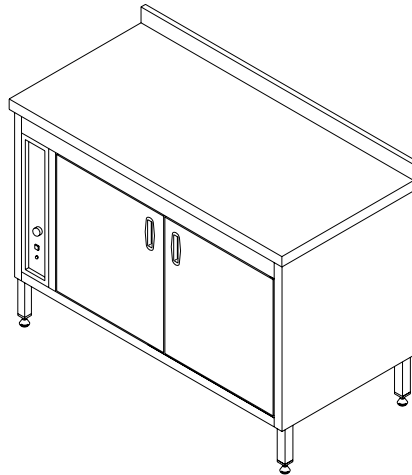
TRANSPORTING AND MOVING



CHANGING THE LOCATION;
Machines installed by an authorized
service **CANNOT BE MOVED ELSEWHERE,**
ITS POWER SUPPLY CABLES CANNOT BE EXTENDED
OR REPLACED except by an authorized service.

- ☞ The vehicle can be moved with supplementary vehicles like forklift.
- ☞ Feet of the forklift should be placed under the device.
- ☞ If the transported distance is far, the machine should be moved slowly and the device should be fixed on palette or supported in order to prevent jolt.
- ☞ Do not hit or drop the device when moving.

INSTALLATION OF THE DEVICE



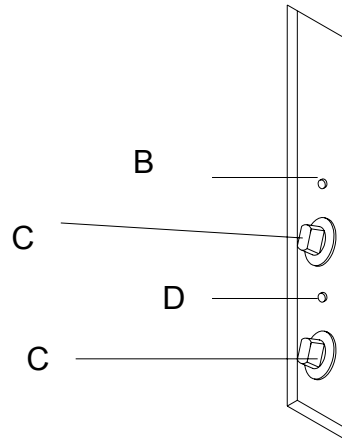
If this device located near to any wall, separation, kitchen furniture, decorative coating etc. the distance in between should be 20 cm. and if those are coated with fireproof heat insulating material, the distance should be 5 cm. It is strongly recommended that fire safety protection instructions are observed.



All of the items mentioned below in connection with the installation of the device should be carried out by authorized service personnel.

- ☞ **Workbench on which the device stands should be adjustable and the device should be ensured to operate in a leveled position.**
- ☞ **Power supply connection of the device should be checked by an eligible electrician, and it should be connected to a fuse at a maximum height of 170 cm.**
- ☞ **Power supply connection should be made using a 30 mA current leakage fuse as a protection against current leakage danger.**
- ☞ **Power installation to be used should be grounded by connecting it to a grounding bar at the nearest panel.**

CONTROL BOARDS



ALL OSD SERIES

- A : ON-OFF SWITCH
- B : POWER WARNING LAMP
- C : THERMOSTAT
- D : THERMOSTAT LAMP

OPERATION OF THE DEVICE




Hot cupboard is used in kitchens of restaurants, fast food stands, canteens, hospitals in order to keep the plate warm and ready for service.
Before initial use of the device, the outer surface should be wiped with a cloth soaked in warm water and soap.

The device should be located under a filtered chimney hood connected to fresh air channel.

NOTE: Do not use except purpose of use. The device should be operated by qualified personnel knowing safety terms and technical specifications and who has read the instruction manual.



CAUTION !
**NEVER OPERATE YOUR DEVICE
WITHOUT GROUND CONNECTION.**

-  Turn the on-off key on and set controlled thermostat to the desired operating temperature (Green lamp will light). When water temperature reaches the desired level, green lamp will go off.
-  Turn the thermostat to “0” position to turn the device off. Then turn the on-off key off.
-  It is recommended to operate the device between temperatures of +5°C +40°C and in ambient humidity of maximum 65%.

OPERATION OF THE DEVICE



CAUTION! : The device should be installed and operated as described in this user's manual.
If any failure is encountered please contact our nearest authorized service dealer.

WHEN THE DEVICE HAS A FAILURE ONLY AUTHORIZEDSERVICE DEALERS ARE ALLOWED TO HANDLE THE DEVICE. IF ANY PERSON OTHER THAN ONLY AUTHORIZED SERVICE DEALERS HANDLE THE DEVICE,

IT WILL NOT BE COVERED BY THE GUARANTEE.

NEVER ALLOW PEOPLE WHO ARE NOT AUTHORIZED TO HANDLE THE DEVICE. OTHERWISE PRODUCER COMPANY WILL NOT BE RESPONSIBLE FOR THE CONSEQUENCES. DURING MAINTENANCE SERVICE OUR AUTHORIZED SERVICE DEALERS SHOULD NOT BE PROPOSED TO USE NON-ORIGINAL SPARE PARTS FOR WHATSOEVER. INSTALLING ANY NON-ORIGINAL SPARE PART TO THE DEVICE LEAVES THE DEVICE **OUT OF GUARANTEE COVERAGE.**



CLEAN-UP AND MAINTENANCE

1. CLEAN-UP:

Before (before the power is switched on) and after the first use and every subsequent use, outer surface of the device should be completely cleaned up with sponge and liquid detergent and then wiped dry.

Do not use **CHEMICAL CLEANING AGENTS** like hydrochloric acid or abrasive cleaning agents.

2. MAINTENANCE:

Periodic maintenance should be carried out by a technician. It is recommended to carry out maintenance at least every 6 months, depending on the frequency of use. Periodic maintenance conducted by authorized service personnel of ours is charged, even the guarantee period has not expired.

LIFE OF USE

Devices life of use is 10 year if it is used under recommended conditions.

WARRANTY CONDITIONS

- 1- Documents without sales date, factory and sales company approval on, are not valid. In order to benefit from the guarantee, guarantee document should be presented.
- 2- If the device is installed and operated following the instructions in the installation, maintenance and user's manual, it is warranted for failures resulting from failures resulting from workmanship and material failures.
- 3- The failures within the scope of guarantee, how and where these will be eliminated, and the way and place of maintenance is determined by
- 4- The guarantee is only valid provided that the guarantee terms and the instructions in the installation, maintenance and user's manual are fully complied with. The guarantee is only valid for the warranted device, and no other right or compensation for some other thing may be claimed.
- 5- If the information about the kind and the type of the device, serial numbers printed on the guarantee document are scraped, rubbed or changed, then the guarantee is not valid.
- 6- The guarantee covers only maintenance and repairing of material or workmanship failure within the valid guarantee period. Failures and parts within the scope of the guarantee are repaired and replaced without any charge. Replaced parts belong to
- 7- The failures occurring in the device may only be handled by service personnel authorized by If people who are not authorized handle the device, it will not be covered by the guarantee.
- 8- Installation should be carried out by authorized service personnel and the service should be informed about the location change of the device.
- 9- When any failure occurs during operation, authorized service dealer should be contacted.
- 10- Guarantee does not cover failures and damages resulting from loading, unloading and shipping, which are outside the responsibility of Similarly, failures and damages resulting from external factors are not covered.