

MLT-X RANGE
Agricultural telehandlers



Handling your world

Founded over 60 years ago by the Braud family, the Manitou Group now operates worldwide. A world leader in rough-terrain material handling, the Group designs, manufactures, distributes and services equipment for construction, agriculture and industries.

The Group's product ranges include: rough-terrain fixed, rotating and heavy-load telehandlers; articulated loaders, rough-terrain, semi-industrial and industrial masted forklift trucks; wheel or track skid-steer loaders; backhoe loaders; aerial work platforms; truck-mounted forklifts; warehousing equipment; and attachments.

Through its iconic brands – Manitou, Gehl and Mustang – and its worldwide network of 1,500 dealers, the Group offers the best solutions to create optimum value for its customers.

With its registered office in France, the group recorded revenue of 1.9 billion euros in 140 countries and employs 4,400 people, all committed to delivering customer satisfaction.



1958

Marcel Braud conceives the idea of the Manitou truck.

1972

The Group enters foreign markets.

Sales partnership agreement signed with Toyota for exclusive distribution of Toyota industrial forklift trucks in France.

1981

Launch of first Manitou telehandler.

1984

Manitou floated on stock exchange.

1993

First MRT rotating telehandlers are sold.

1995

Launch of first range of aerial work platforms.

1996

ISO 9001 certification obtained.

1998

Marcel Braud becomes Chairman of the Supervisory Board.

2007

Manitou opens an international logistics centre spanning 22,000 m².

3 brands
distributed by
1,500 dealers
in 140 countries

MANITOU | **GEHL** | **MUSTANG**

- 27 subsidiaries
- 11 production facilities
- 4,400 employees worldwide
- 80% of revenue comes from foreign markets
- Revenue of 1.9 billion euros in 2018

2008

Takeover of the American company Gehl.

2009

Change of management and a return to a Board of Directors.

2010

Launch of Gehl and Mustang articulated loaders.

2012

Crossover agreement signed with Yanmar for the manufacture and distribution of mini-excavators.

2013

Consolidation of Yanmar partnership as Yanmar becomes a Group shareholder, with 6.26% of the capital.

2014

January: Michel Denis appointed President and CEO.
April: A new roadmap is drawn up focusing on the three divisions, including one for services.

2015

Manitou celebrates the sale of its 500,000th machine worldwide.

500 000

2016

Launch of the new MLT range, NewAg.

NewAg

2017

Inauguration of the new entity, Manitou Equipment India, specialising in compact loaders and backhoe loaders.





A telehandler designed and tested for agriculture

An essential tool for your handling applications, reaching even the most difficult areas, the MLT-X has been designed and tested for you. This versatile machine will save you time on a daily basis. You will be able to fit a wide range of attachments quickly and easily.

The Manitou group also offers a wide range of services to support you throughout the service life of your machine.

PERFORMANCE

The +MANITOU

REGENERATIVE HYDRAULICS (optional*)

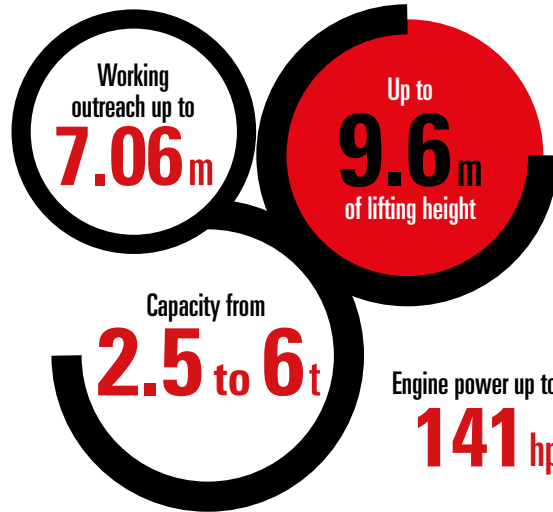
This system allows you to lower the boom, regardless of engine speed, using gravitational force. You save time and fuel.

INTELLIGENT HYDRAULICS (option*)

- **Quick Lift** to combine two movements automatically.
- **Bucket Shaker** to shake your bucket automatically.
- **Return to Load** allows the attachment and boom to return automatically to a position pre-set by the operator.

* Optional on models MLT-X 737/741/840/1040/961





Designed to last

1. Wide boom and welded boom head
2. Hoses and distributors are protected under the boom
3. Crowd ram protected behind the boom head
4. Steering cylinders in a raised position, protected from gravel splatter
5. Multiple-disk oil-bath brakes within axles
6. Engine well protected on the side of the machine
7. Monobloc chassis
8. Auto reversing fan for optimal cooling*
9. Cab complies with the ROPS/FOPS** standard
10. Material baffle on boom head

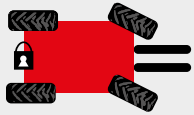
* Optional on MLT-X 732

** ROPS (Roll over protection structure), FOPS (Fall over protection structure)

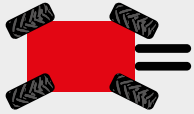


The + MANITOU

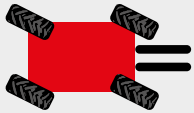
An ULTRA-MANOEUVRABLE
MACHINE with 4 steering modes



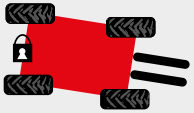
2 STEERING WHEELS
for road use.



4 STEERING WHEELS
to manoeuvre in tight spaces.



CRAB MODE
for sideways approaches and
tricky unloading manoeuvres.



MANI-CRAB MODE
for applications such as silage.



MLT-X 625 + BG FO



MLT-X 961+ CBA



MLT-X 735 + BG WE

Manoeuvrability on rough terrain

Each of our machines is tailored
to your internal and external constraints

- Agricultural profile tyres
- High ground clearance (0.38 m to 0.45 m)
- Rear axle oscillation
- 4 drive and directional wheels
- Optimal turning radius (from 3.31 m)
- Dimensions adapted to your farm



MLT-X 737 + P2BG

Peace of mind while you work

More than 8000 service technicians and storespeople are at your disposal to ensure the availability of your equipment at every stage of its service life.

Opt for a warranty extension or a maintenance contract tailored to your needs. Access expert technicians and genuine spare parts to service your equipment and optimise its performance and service life for maximum resale value.



MLT-X 737 + FMG



MLT-X 625 + PBE



MLT-X 735 + BG WE

COMFORT

**Comfortable & ergonomic:
your efficiency is increased**

- Easy access to cab
- Anti-slip step
- Maximum visibility regardless of the position of the load
- Height and depth adjustable steering column
- Various storage spaces in the cab
- Cloth-covered seat

The **+** MANITOU

BOOM SUSPENSION *

EASY STEP CAB*



HIGH VISIBILITY ROOF GRID*



* Depending on models and versions



Manitou works hard to make your working day easier

Exclusive to Manitou, the JSM® (Joystick Switch and Move) allows you to control all movements with one hand, safely and without strain: forwards / reverse, raising and lowering the boom, boom extension / retraction, tilt / crowd and hydraulic operations on the attachment. One hand stays on the wheel so you keep total control over your machine.

- ❶ FNR (Front Neutral Reverse) button
- ❷ Attachments hydraulic line
- ❸ Telescoping: extend or retract



- Forward: lower boom
- Backward: raise boom
- Left: crowd
- Right: dump

MLT-X NewAg

PROFITABILITY

The **+** MANITOU

**YOUR CONNECTED MACHINE
DEDICATED TO YOUR
PRODUCTIVITY** (optional)

The connected solution informs you in real time of the functioning and activity of your equipment, with information accessible on your smartphone. Anticipate and reduce your equipment downtime by sharing the data with your dealer to plan routine maintenance in advance when convenient for you.



Easy maintenance

We have done everything we can to simplify the maintenance of your machine:

- Direct access to the engine
- Easy access for regular maintenance
- Maintenance reminders in the cab*
- Detachable rear housing*
- Centrally positioned greasing points**

* Models concerned: MLT-X 625/737/741/840/1040/961

** Models concerned: MLT-X 732/735/1035/737/741/840/1040/961



"Since my dealer has been managing the maintenance of my machine, he contacts me proactively to plan my next appointment with a technician on my farm, at a time that's convenient for me. It gives me real peace of mind, so I can concentrate on my day-to-day work, my livestock and my crops."

Pavel, 29,
Farmer





MLT-X 735 + CBA

Our commitment to you

Our teams are committed to providing innovative solutions and continuous improvements to reduce the total cost of ownership* of your machine. Find simple online calculation tools to assess your own TCO*:

- Identify your direct and indirect costs
- Make the right choice by considering the performance and service parameters
- Enhance the resale value
- Calculate your fuel consumption
- Watch one of our more than 300 informative videos and see all our technical documentation

* What is the TCO? The total cost of ownership (TCO) is a calculation of running costs. The TCO takes into account fixed costs, such as acquisition, financing, residual value, etc., and the variable costs linked to the use of your machine, such as maintenance, energy consumption, user training, etc.



MLT-X 840 + FB



MLT-X 625 + SCC



Good decision making starts here:
try out the calculators at reduce-program.com and follow the hints and tips.

Gain versatility

Thanks to our wide range of attachments, your machines can be adapted to your working conditions.



The **+** MANITOU

HYDRAULIC ATTACHMENT LINE

MANITOU ATTACHMENT
CARRIAGE

Attachments can be changed in
seconds.



Handling cereals

The essential attachment for all cereal storage operations



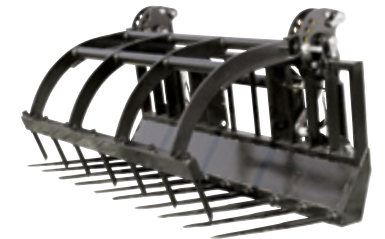
Feed, silage

Solutions for silage cutting, preparation and distribution



Manure loading

Handling solutions for all types of manure (heavy, straw or powdery)





Bale handling

Wide range of solutions for handling square, round and unwrapped bales



Big bag handling

The ideal attachment for safe handling of your big bags



General handling, maintenance

Simple, effective handling and maintenance solutions for your operation



Renewable energies

Bulk handling solutions for renewable energies (biogas, wood energy)





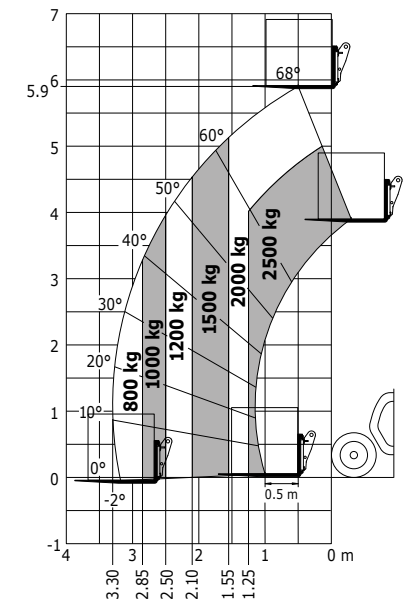
SOMETHING FOR EVERYONE

Choose from a range of telehandlers with a capacity of 2.5 to 6 tonnes and a lifting height of 6 to 10 metres. You also have a choice of options and finish levels.



MLT-X 625 75 H

Transmission*	H/C/CVT	H
Engine power	hp (kW)	75 (55.4)
Engine brand	-	Kubota
Max. capacity	kg	2500
Max. lifting height	m	5.90
Max. outreach	m	3.30
Dimensions without attachments (LxWxH)	m	3.90 x 1.81 x 2.00
Hydraulics	l/min	86
Unladen weight with forks	kg	4922
Speed (optional)	km/h	25 (40)

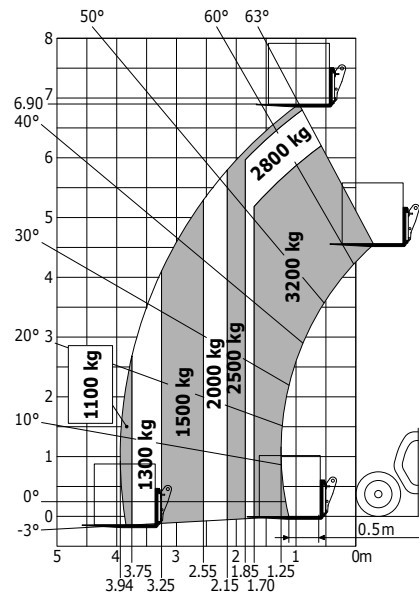


Rough-terrain load chart (EN 1459 B)



MLT-X 732

Transmission*	H/C/CVT	C
Engine power	hp (kW)	95 (70)
Engine brand	-	Perkins
Max. capacity	kg	3200
Max. lifting height	m	6.90
Max. outreach	m	3.94
Dimensions without attachments (LxWxH)	m	4.74x2.34x2.30
Hydraulics	l/min	104
Unladen weight with forks	kg	6845
Speed	km/h	27

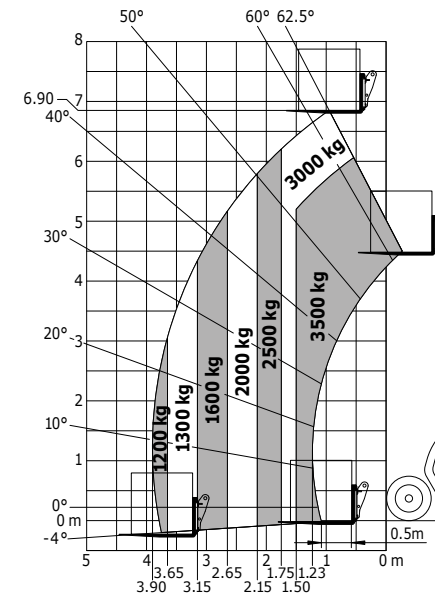


Rough-terrain load chart (EN 1459 B)



MLT-X 735 T LSU

H/C/CVT	C
hp (kW)	101 (74.5)
-	Perkins
kg	3500
m	6.90
m	3.90
m	4.79x2.40x2.30
l/min	108
kg	7075
km/h	35



Rough-terrain load chart (EN 1459 B)



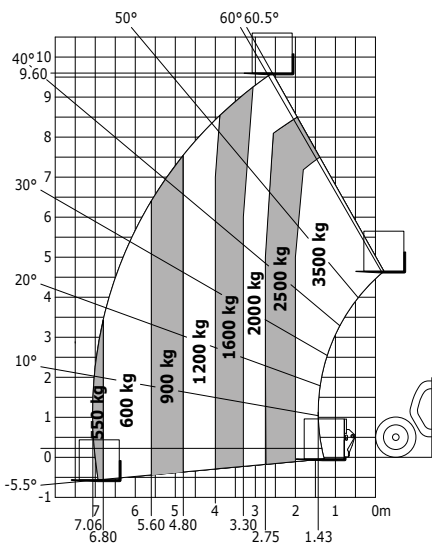
MLT-X

H/C/CVT	C
hp (kW)	101 (74.5)
-	Perkins
kg	3500
m	9.60
m	7.06
m	5.09x2.40x2.30
l/min	110
kg	8375
km/h	35

* H: Hydrostatic
C: Torque converter
CVT: Continuous Variable Transmission



1035 L T LSU



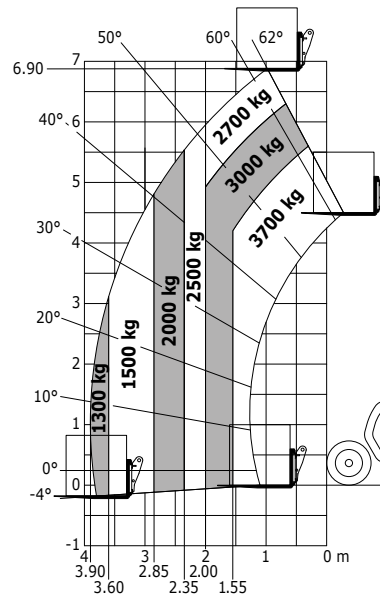
Rough-terrain load chart (EN 1459 B)

NEW AG



MLT-X 737-130 PS+

H/C/CVT	C (PS+)
hp (kW)	129 (95)
-	Deutz
kg	3700
m	6.90
m	3.90
m	4.97x2.39x2.38
l/min	150
kg	7540
km/h	40



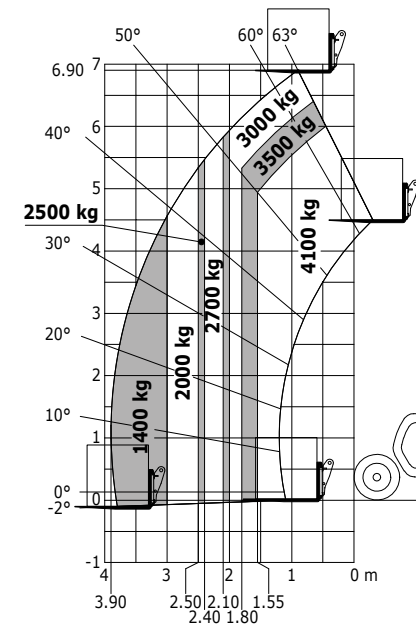
Rough-terrain load chart (EN 1459 B)

NEW AG



MLT-X 741-140 V+

H/C/CVT	CVT (V+)
hp (kW)	136 (100)
-	Deutz
kg	4100
m	6.90
m	3.90
m	4.97x2.39x2.38
l/min	170
kg	7655
km/h	40

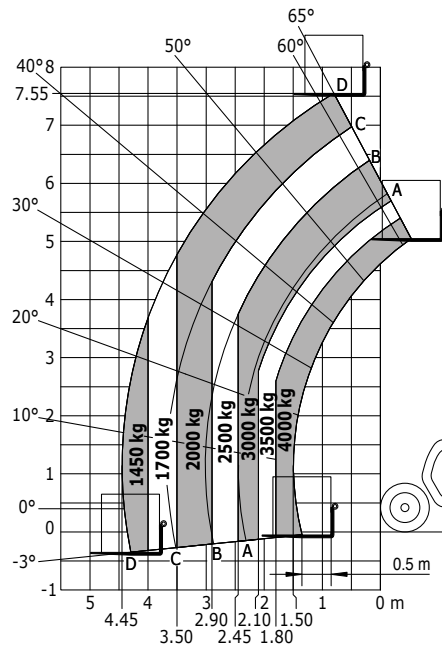


Rough-terrain load chart (EN 1459 B)



MLT-X 840-140 PS+

Transmission*	H/C/CVT	C (PS+)
Engine power	hp (kW)	137 (102)
Engine brand	-	John Deere
Max. capacity	kg	4000
Max. lifting height	m	7.55
Max. outreach	m	4.45
Dimensions without attachments (LxWxH)	m	5.37x2.39x2.39
Hydraulics	l/min	200
Unladen weight with forks	kg	8410
Speed	km/h	40

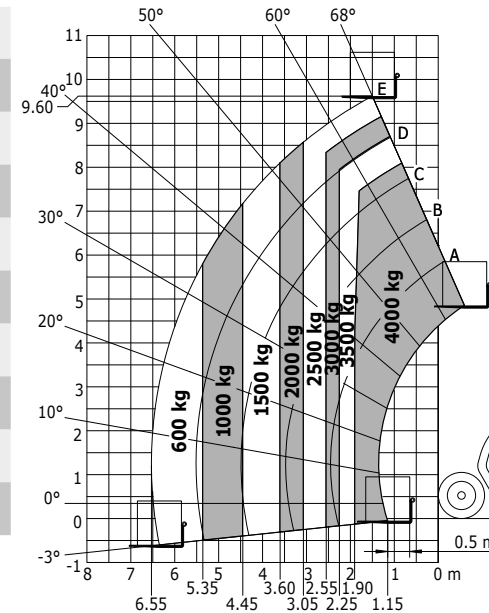


Rough-terrain load chart (EN 1459 B)



MLT-X 1040-140 PS+ L

H/C/CVT	C (PS+)
hp (kW)	137 (102)
-	John Deere
kg	4000
m	9.60
m	6.55
m	5.17x2.39x2.38
l/min	200
kg	9175
km/h	40



Rough-terrain load chart (EN 1459 B)



MLT-X

H/C/CVT	H
hp (kW)	121 (90)
-	Mercedes
kg	4500
m	7.55
m	4.57
m	5.22x2.42x2.58
l/min	150
kg	9130
km/h	28

* H: Hydrostatic
C: Torque converter
CVT: Continuous Variable Transmission



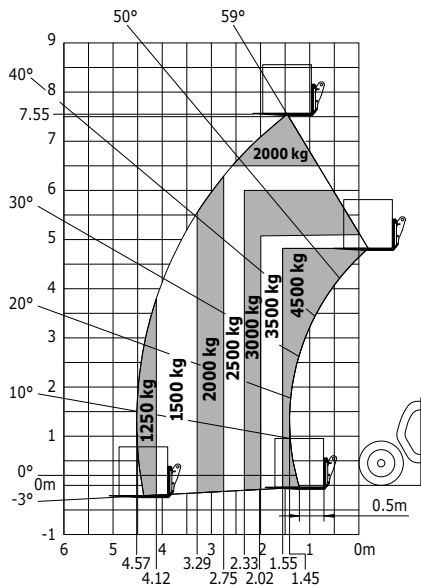
MLT-X 845-120 H



MLT-X 845-120

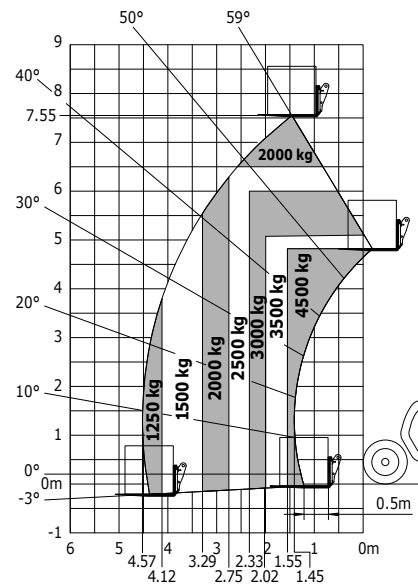


MLT-X 961-145 V+ L



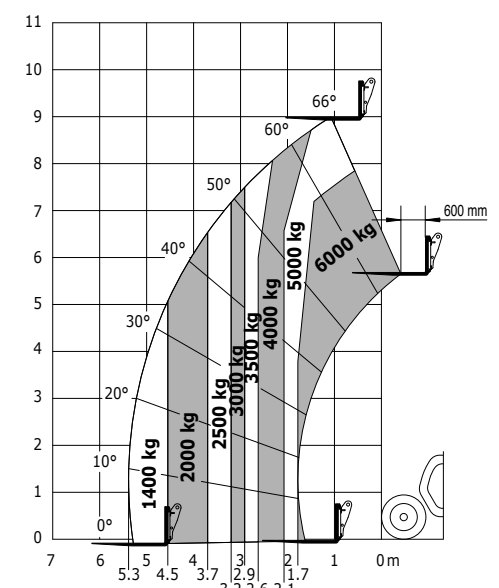
Rough-terrain load chart (EN 1459 B)

H/C/CVT	C
cv (kW)	121 (90)
-	Mercedes
kg	4500
m	7.55
m	4.57
m	5.22x2.42x2.58
l/min	150
kg	9130
km/h	33



Rough-terrain load chart (EN 1459 B)

H/C/CVT	CVT (V+)
cv (kW)	141 (104)
-	John Deere
kg	6000
m	9
m	5.30
m	6.10x2.48x2.53
l/min	200
kg	11800
km/h	40



Industrial load chart (EN 1459 A)

Finishes tailored to your needs

To support you in your daily activity, we offer three levels of finish for your MLT-X: Classic, Premium and Elite



s : series / o : option / - : not available

	MLT-X 625-75 H			MLT-X 732		MLT-X 735 T LSU			MLT-X 1035	
General										
Air pre-filter	s	s	s	s	s	s	s	s	s	s
Auto reversing fan	s	s	s	o	o	s	s	s	s	s
Hand throttle	o	o	s	-	-	-	-	-	-	-
Automatic wheel alignment	-	-	-	-	-	-	-	-	-	-
Fixed towing hitch	s	s	s	s	s	s	s	s	-	-
Manual rotating towing hitch	o	o	o	-	-	-	-	-	s	s
Automatic rotating towing hitch	-	-	-	o	o	o	o	o	o	o
Hydraulic pick-up hitch	-	-	-	-	-	-	-	-	-	-
Ladder hitch	-	-	-	o	o	o	o	o	o	o
Speed limiter	o	o	s	-	-	-	-	-	-	-
Comfort										
Car radio	s	s	s	s	s	s	s	s	s	s
Mechanical cloth-covered seat	s	-	-	s	-	s	-	-	s	-
Air suspension cloth-covered seat	o	s	-	o	s	o	s	-	o	s
Low frequency air suspension cloth-covered seat	o	o	s	-	-	-	-	-	-	-
Low frequency air suspension cloth-covered seat with heating	-	-	-	-	-	o	o	s	o	o
Air conditioning with manual adjustment	o	s	s	o	s	o	s	s	o	s
Air conditioning with automatic adjustment	-	-	-	-	-	-	-	-	-	-
"Harmony" screen	-	-	-	-	-	-	-	-	-	-
"Vision" screen	-	-	-	-	-	-	-	-	-	-
Electricity / Security										
Audio warning in reverse	o	o	o	o	o	o	o	o	o	o
Front and rear work lights on cab (x3: 2 front + 1 rear)	-	-	-	s	-	s	s	-	s	s
Front and rear work lights on cab (x4: 2 front + 2 rear)	s	-	-	o	s	o	o	s	o	o
Front and rear LED work lights on cab (x4: 2 front + 2 rear)	o	s	s	-	-	-	-	-	-	-
Additional front windscreen wiper	-	-	-	-	-	-	-	-	-	-
Electric mirror with de-icing	-	-	-	-	-	-	-	-	-	-
Work lights on boom head (x2)	o	o	o	o	o	o	o	o	o	o
LED + (4 additional working lights)	-	-	-	-	-	-	-	-	-	-
Hydraulics										
Continuous flow hydraulics	o	o	s	-	-	o	o	o	o	o
Easy Connect System (ECS)	s	s	s	o	s	o	s	s	o	s
Boom suspension	o	o	s	-	-	o	o	s	o	o
Hydraulic attachment locking	o	o	o	o	o	o	o	o	o	o
"Intelligent Hydraulics"	-	-	-	-	-	-	-	-	-	-
"Regenerative Hydraulics"	-	-	-	-	-	-	-	-	-	-
Attachment hydraulic flow adjustment	o	o	s	-	-	-	-	-	-	-

L T LSU	MLT-X 737-130 PS+			MLT-X 741-140 V+			MLT-X 840-140 PS +			MLT-X 1040-140 PS+ L			MLT-X 845-120 H			MLT-X 845-120			MLT-X 961-145 V+ L		
S	S	S	S	S	S	S	S	S	S	S	S	S	S	S	S	S	S	S	S	S	S
S	S	S	S	S	S	S	S	S	S	S	S	S	S	S	S	S	S	S	S	S	S
-	0	0	S	S	S	S	0	0	S	0	0	S	0	0	S	0	0	S	S	S	S
-	0	0	S	0	0	S	0	0	S	0	0	S	-	-	-	-	-	-	0	0	S
-	-	-	-	-	-	-	-	-	-	-	-	-	-	-	-	-	-	-	-	-	-
S	S	S	S	S	S	S	S	S	S	S	S	S	S	S	S	S	S	S	S	S	S
0	0	0	0	0	0	0	0	0	0	0	0	0	0	0	0	0	0	0	0	0	0
-	0	0	0	0	0	0	0	0	0	0	0	0	-	-	-	-	-	-	0	0	0
0	0	0	0	0	0	0	0	0	0	0	0	0	0	0	0	0	0	0	0	0	0
-	-	-	-	S	S	S	-	-	-	-	-	-	-	-	-	-	-	-	S	S	S
S	S	S	S	S	S	S	S	S	S	S	S	S	S	S	S	S	S	S	S	S	S
-	S	-	-	S	-	-	S	-	-	S	-	-	S	-	-	S	-	-	S	-	-
-	0	S	-	0	S	-	0	S	-	0	S	-	0	S	-	0	S	-	0	S	-
-	0	0	S	0	0	S	0	0	S	0	0	S	0	0	S	0	0	S	0	0	S
S	0	0	0	0	0	0	0	0	0	0	0	0	0	0	S	0	0	S	0	0	0
S	0	S	-	0	S	-	0	S	S	0	S	S	0	S	S	0	S	S	0	S	S
-	0	0	S	0	0	S	-	-	-	-	-	-	-	-	-	-	-	-	-	-	-
-	S	S	-	S	S	-	-	-	-	-	-	-	-	-	-	-	-	-	-	-	-
-	0	0	S	0	0	S	-	-	-	-	-	-	-	-	-	-	-	-	-	-	-
0	0	0	0	0	0	0	0	0	0	0	0	0	0	0	0	0	0	0	S	S	S
-	-	-	-	-	-	-	-	-	-	-	-	-	S	-	-	S	-	-	-	-	-
S	S	-	-	S	-	-	S	-	-	S	-	-	-	-	-	-	-	-	S	-	-
-	0	S	S	0	S	S	0	S	S	0	S	S	0	S	S	0	S	S	0	S	S
-	0	S	S	0	S	S	-	-	-	-	-	-	-	-	-	-	-	-	-	-	-
-	0	0	S	0	0	S	0	0	S	0	0	S	-	-	-	-	-	-	0	0	S
0	0	0	0	0	0	0	0	0	0	0	0	0	0	0	0	0	0	0	0	0	0
-	0	0	0	0	0	0	0	0	S	0	0	S	-	-	-	-	-	-	0	0	S
0	0	0	S	0	0	S	0	0	S	0	0	S	0	0	0	0	0	0	0	0	S
S	S	S	S	S	S	S	S	S	S	S	S	S	0	S	S	0	S	S	S	S	S
S	0	0	S	0	0	S	0	0	S	0	0	S	0	0	S	0	0	S	0	0	S
0	0	0	0	0	0	0	0	0	0	0	0	0	0	0	0	0	0	0	0	0	0
-	0	0	0	0	0	S	0	0	S	0	0	S	-	-	-	-	-	-	0	0	S
-	0	0	0	0	S	S	0	S	S	0	S	S	-	-	-	-	-	-	0	S	S
-	0	0	S	0	0	S	0	0	S	0	0	S	-	-	-	-	-	-	0	0	S



Your dealer:



Head office

B.P. 249 - 430 rue de l'Aubinière - 44158 Ancenis Cedex - France

Tel.: 00 33 (0)2 40 09 10 11 - Fax: 00 33 (0)2 40 09 10 97



This publication provides a description of the configuration versions and options for Manitou products, which may differ according to the equipment. The equipment presented in this brochure may be part of a series, optional or unavailable, depending on the versions. Manitou reserves the right, at any time and without notice, to amend the specifications described and presented. The specifications provided are not binding on the manufacturer. For more details, please contact your Manitou agent. This is not a contractually binding document. The presentation of the products is not contractually binding. The list of specifications is not exhaustive. The logos, as well as the visual identity of the company, are owned by Manitou and cannot be used without authorisation. All rights reserved. The photos and diagrams contained in this brochure are only provided for consultation and information purposes. Manitou BF SA - Limited company with board of directors - Share capital: 39.668.399 euros - 857 802 508 RCS Nantes