

# INCLINED SCREEN



**694+**  
  

**WORKS FOR YOU.™**

# 694+

Now with 'best in class' production levels, set up time and ease of operation, the Terex Finlay 694+ is the industry's leading tracked mobile inclined screen. A high capacity belt feed hopper is available with remote tipping grid or double deck vibrating grid. The triple deck screen configuration provides three full sized 20' x 5' (6.1m x 1.53m) screens. An innovative hydraulically folded fourth conveyor allows simple adjustment with variable tilt and slew discharge for recirculation or stockpiling of finished material. Washing equipment can be fitted to the screenbox if required between 18 degree and 30 degree.

## Features:

- ▶ The triple deck 6.1m x 1.53m (20' x 5') screen box with full catwalk access is the largest and most accessible in it's class.
- ▶ A combination of quick wedge tensioning, convenient access holes, and hydraulic tensioning on the bottom deck ensure mesh set up and change out times are kept to an absolute minimum.
- ▶ Maximum utilisation of three 6.1m x 1.53m (20' x 5') decks provide ultra-efficient screening capacities even at small aggregate sizes.
- ▶ The fourth (oversize plus) conveyor provides hydraulic variable tilt and side slew capability to accurately discharge materials for recirculation to crushers or for stockpiling.
- ▶ Screen box angle can be hydraulically adjusted to an angle between 18° and 30°

## STANDARD FEATURES

Tier 3 / Stage IIIA Caterpillar C4.4 - 4 cylinder diesel engine developing 97kW (130hp) @ 2200 rpm  
Tier 4i / Stage IIIB - Caterpillar C4.4 - 4 cylinder diesel engine developing 98kW (131hp) @ 2200 rpm  
Tier 4F / Stage IV - Caterpillar C4.4 - 4 cylinder diesel engine developing 98kW (131hp) @ 2200 rpm

Hopper capacity: 8m<sup>3</sup> (10.5 yd<sup>3</sup>) - 4.25m (14') wide. Complete with 10mm replaceable steel liners

Belt width: 1.2m (48") wide variable speed belt feeder

Remote control hydraulic tipping reject grid c/w grouser bars 4.25m x 100mm spacing (14' x 4")

6.1m x 1.53m (20' x 5') top, middle and bottom deck screenbox

Hydraulic tensioning (bottom deck screen mesh)

Quick wedge tensioning - top deck and middle deck

Galvanised access catwalks to both sides and around top of screen

Belt width: 1.2m (48") belt on main conveyor & 1.2m (48") wide fines belt

Belt width: 500mm (20") chevron belt on oversize plus product conveyor

Belt width: 500mm (20") plain belt on transfer conveyor

Belt width: 800mm (32") chevron belt on oversize minus and middle grade side conveyors

Skirting on main conveyor

Heavy duty undercarriage unit with 500mm wide tracks

Control operation of tracks via hand-held set with 5m connection lead with heavy duty square connector

Safety guards in compliance to Machinery Directive

Low level central greasing & emergency stops (4)



## Screen box

- ▶ All decks: 6.1m x 1.53m (20' x 5')
- ▶ Wedge side tensioned Top and Middle Deck mesh
- ▶ Hydraulic end tensioned Bottom deck mesh
- ▶ Drive: Hydraulic heavy duty 2-Bearing
- ▶ Screen Angle: 18° - 30°, hydraulic adjust
- ▶ Screen speed: 1000 rpm
- ▶ Screen stroke standard: 7.5mm (5/16")
- ▶ Abrasion resistant material impact plate
- ▶ Spreader plate
- ▶ Galvanised access catwalks on both sides and top end of screen
- ▶ Total screening area: 27.8m<sup>2</sup> (300ft<sup>2</sup>)



### Main conveyor

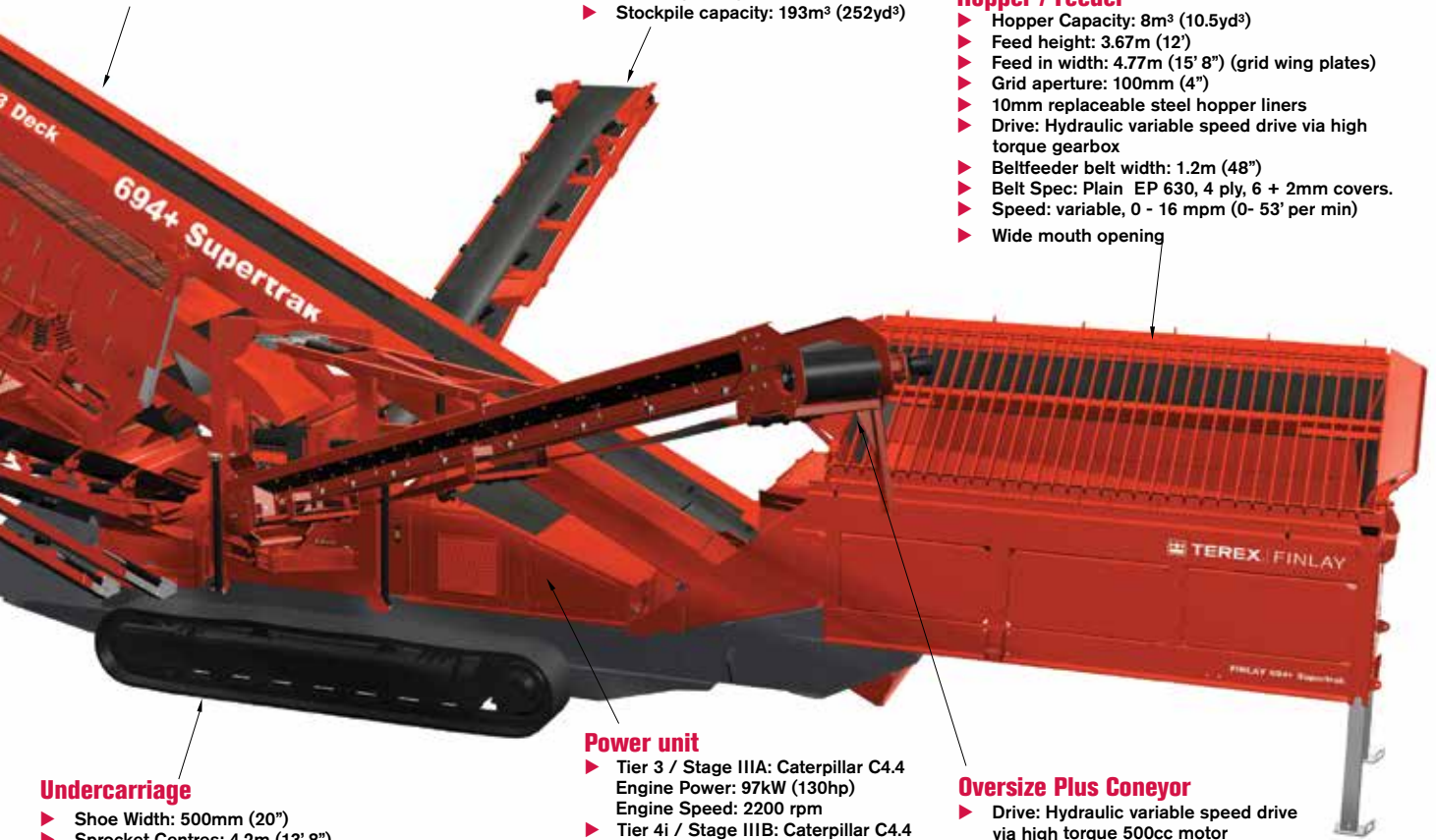
- ▶ Drive: Hydraulic variable speed drive via high torque 630cc motor
- ▶ Belt width: 1.2m (48")
- ▶ Belt spec: Plain 3 ply belt, EP400
- ▶ Hydraulic adjust
- ▶ Belt Speed: 92 mpm (302' per min)
- ▶ Steel skirted full length of conveyor

### Oversize grade conveyor

- ▶ Drive: Hydraulic variable speed drive via high torque 500cc motor
- ▶ Belt width: 800mm (32")
- ▶ Belt spec: Chevron EP400, 3 ply
- ▶ Working Angle: 24°
- ▶ Speed: variable speed, 0 - 125 mpm (410' per min)
- ▶ Hydraulic Folding
- ▶ Discharge Height: 4.71m (15' 5")
- ▶ Stockpile capacity: 193m<sup>3</sup> (252yd<sup>3</sup>)

### Hopper / Feeder

- ▶ Hopper Capacity: 8m<sup>3</sup> (10.5yd<sup>3</sup>)
- ▶ Feed height: 3.67m (12')
- ▶ Feed in width: 4.77m (15' 8") (grid wing plates)
- ▶ Grid aperture: 100mm (4")
- ▶ 10mm replaceable steel hopper liners
- ▶ Drive: Hydraulic variable speed drive via high torque gearbox
- ▶ Beltfeeder belt width: 1.2m (48")
- ▶ Belt Spec: Plain EP 630, 4 ply, 6 + 2mm covers.
- ▶ Speed: variable, 0 - 16 mpm (0- 53' per min)
- ▶ Wide mouth opening



### Undercarriage

- ▶ Shoe Width: 500mm (20")
- ▶ Sprocket Centres: 4.2m (13' 8")
- ▶ Speed: 0.8 km/h
- ▶ Gradeability: 32.6°
- ▶ Raking Angle: 9°

### Power unit

- ▶ Tier 3 / Stage IIIA: Caterpillar C4.4  
Engine Power: 97kW (130hp)  
Engine Speed: 2200 rpm
- ▶ Tier 4i / Stage IIIB: Caterpillar C4.4  
Engine Power: 98kW (131hp)  
Engine Speed: 2200 rpm
- ▶ Tier 4F / Stage IV: Caterpillar C4.4  
Engine Power: 98kW (131hp)  
Engine Speed: 2200 rpm

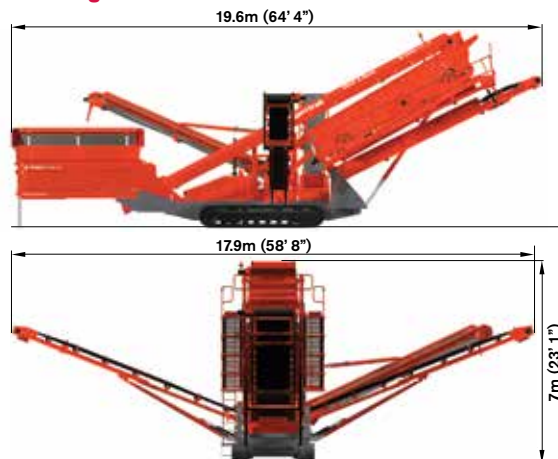
### Oversize Plus Conecror

- ▶ Drive: Hydraulic variable speed drive via high torque 500cc motor
- ▶ Belt width: 500mm (20")
- ▶ Belt spec: Chevron, EP 315, 3 ply
- ▶ Working Angle: Variable 22° (Max)
- ▶ Speed: variable speed, 120 mpm (400' per min)
- ▶ Discharge Height: Variable 4.8m (Max)
- ▶ Stockpile capacity: 164.5m<sup>3</sup> (215.2yd<sup>3</sup>) @40°

### Transport Dimensions



### Working Dimensions



Machine Weight: \* 39,250kg (86,531lbs)  
\* With tipping grid

**WORKS FOR YOU.™**

Follow us on:



[www.terexfinlay.com](http://www.terexfinlay.com)

Effective January 2015. Product specifications and prices are subject to change without notice or obligation. The photographs and/or drawings in this document are for illustrative purposes only. Refer to the appropriate Operator's Manual for instructions on the proper use of this equipment. Failure to follow the appropriate Operator's Manual when using our equipment or to otherwise act irresponsibly may result in serious injury or death. The only warranty applicable to our equipment is the standard written warranty applicable to the particular product and sale and Terex GB Ltd. makes no other warranty, express or implied. Products and services listed may be trademarks, service marks or trade-names of Terex Corporation and/or its subsidiaries in the USA and other countries. All rights are reserved. Terex® is a registered trademark of Terex Corporation in the USA and many other countries. Copyright 2010 Terex GB Ltd.



**TEREX® | FINLAY**

**WORKS FOR YOU.™**