



**Flake ice** is generated through a vertical cylinder, with an internal auger which scrapes the ice from the internal surface of the evaporator. This produces uniform flake ice with a residual water content

Low water content super flaker.

Up to 1020kg production per 24/hr of super flake ice.

Head only.

Stainless steel cabinet.

Complete with water & drain hoses.

3 phase, 3.6kW power supply.



## ICE PRODUCTION

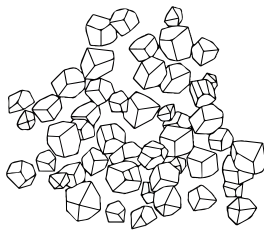
### Air Cooled Unit

Air Temp.		Water Temperature			
		32°	21°	15°	10°
°C		32°	21°	15°	10°
°F		90°	70°	60°	50°
10°		<b>950</b>	<b>1050</b>	<b>1100</b>	<b>1150</b>
50°		2094	2315	2425	2535
21°		<b>870</b>	<b>970</b>	<b>1020</b>	<b>1070</b>
70°		1918	2138	2249	2359
32°		<b>770</b>	<b>870</b>	<b>920</b>	<b>970</b>
90°		1698	1918	2028	2138
38°		<b>720</b>	<b>820</b>	<b>870</b>	<b>920</b>
100°		1588	1808	1918	2028

### Water Cooled Unit

Air Temp.		Water Temperature			
		32°	21°	15°	10°
°C		32°	21°	15°	10°
°F		90°	70°	60°	50°
10°		<b>900</b>	<b>1100</b>	<b>1170</b>	<b>1220</b>
50°		1984	2425	2579	2690
21°		<b>900</b>	<b>1100</b>	<b>1170</b>	<b>1220</b>
70°		1984	2425	2579	2690
32°		<b>900</b>	<b>1100</b>	<b>1170</b>	<b>1220</b>
90°		1984	2425	2579	2690
38°		<b>900</b>	<b>1100</b>	<b>1170</b>	<b>1220</b>
100°		1984	2425	2579	2690

## ICE TYPE



**15-18%**  
**SUPERFLAKE ICE**  
residual water content

Flake ice has a lot of uses, from the conservation and display of fresh fish to cocktail creation and juice bars. Flake ice is also used in hospitals and during the production of sausages and bread, to chill the mix. Flake ice is extremely versatile.

## CONTROL PANEL



## DIMENSIONS

W x D x H (mm)  
1065 x 698 x 850

## OPERATING REQUIREMENTS

Rejected Heat	9626 W
Air Volume	3000 m <sup>3</sup> /h



400V / 50Hz



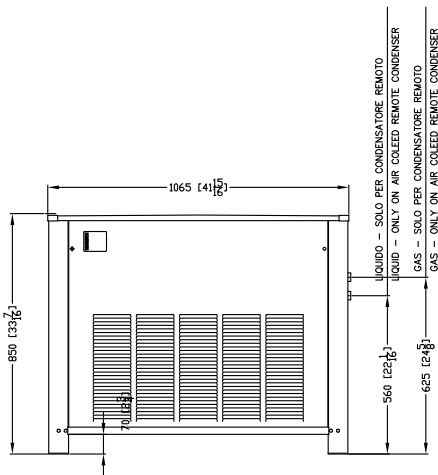
R404a GWP=3922

MIN		MAX
10°C (50°F)		40°C (104°F)
5°C (41°F)		35°C (95°F)
- 10 %		+ 10 %
1 Bar (14 psi)		5 Bar (70 psi)

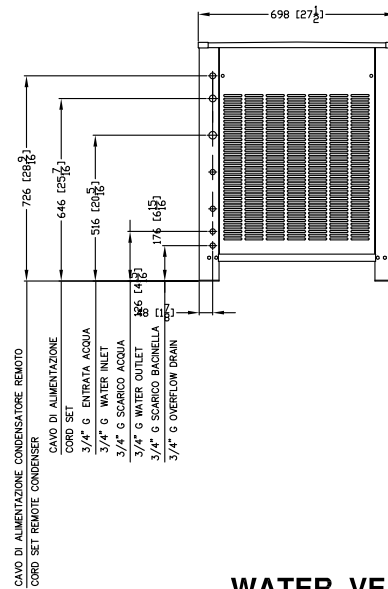


## SPECIFICATIONS

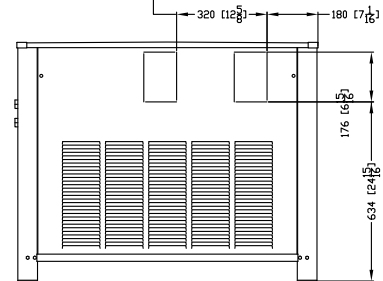
	cond	comp. W	ABS. W	Fuse	kWh/100kg	L / hr	kg	lbs	kg	lbs	Ton CO2 equiv.
<b>SFN1000 A</b>		5160	3600	16	9.2	36	179	394	198	436	9.41
<b>SFN1000 W</b>		5160	3600	16	7.3	416	179	394	198	436	4.71



### AIR VERSION



SCARICO GHIACCIO DAL POSTERIORE  
ICE EXIT BACK SIDE



### WATER VERSION

