

KOBELCO

SK26SR-7/SK28SR-7

Performance  Design

SK26SR SK28SR

■ Bucket capacity:

SK26SR 0.08 m³

SK28SR 0.08 m³

■ Engine power:

18.9 kW / 2,400 min⁻¹

■ Operating weight:

SK26SR 2,530–2,810 kg

SK28SR 3,010–3,270 kg



We Save You Fuel
Achieving a Low-Carbon Society

Performance Design

With the release of the SK26SR and SK28SR, KOBELCO has completely harmonised the values of PERFORMANCE and DESIGN.

These mini excavators deliver great efficiency and productivity with increased power, along with uncompromising operator comfort and machine operability.

In the pursuit of producing unique and unbeatable machines that provide comfort and productivity without equal, KOBELCO continues to rise to the challenge.





UNFORGETTABLE COMFORT

True ergonomic functionality combined with modern design has resulted in a interior design that is sleek and comfortable.





Suspension seat

A proven Grammer* suspension seat is fitted as standard equipment, offering a reclining mechanism, excellent shock absorption and superior ride comfort. *GRAMMER is trademark of GRAMMER AG. registered in Germany and other countries.

Wrist rests

The large wrist rests keep the operator's forearms in a stable position, reducing fatigue during operation, and allowing stable operation.



Air conditioner

Additional air vents are placed around the cabin for optimal air flow around operator. In addition, the defrosters placed in the front, right and back have also been improved to ensure visibility when the air conditioner is in use.



LED backlights

LED backlighting on switches and dials provides a bright, clear view of controls, even in the dark, while delivering a premium look and feel.



Smartphone holder/ USB/AUX port

FUNCTIONAL WORK ENVIRONMENT

Realisation of the operator's convenience and comfort.



Colour monitor

The colour display is easy to read and comes as standard and shows various information such as operating history, maintenance cycle, and fuel and water temperature gauges. It can also be used to adjust the hydraulic oil flow to the attachments.



Energy conservation mode

There are 2 working modes: one for maximum power, and ECO-mode for increased fuel economy.



Auto deceleration

Auto deceleration saves fuel and lowers engine noise by lowering engine speed to idle.



Hydraulic flow adjustment

Rotation or NGB piping flow can be selected from six preset types, or adjusted arbitrarily.



Engine start password

A password is required when starting the engine for greater security.



Maintenance information



Operation history



Easy-access cab

The hinged door is used to provide easy cabin access. Furthermore, the flip-up left console with integrated pilot control lock lever allows for easy entry and exit from the cab.



Ergonomic lever angles

Operators can move levers horizontally without twisting their wrists, reducing operator fatigue.

Proportional hand control for rotation & N&B piping (Option)

Precise proportional controls are integrated into the joystick for ease of operation.



Slide-open window

The right side window can slide open from the front or the back for increased ventilation and to hear ground workers when required.



Speaker



Coat hook



Cup holder



Utility box



LED door light



12V power outlet (Option)



Front under glass holder



Boom swing control with HCP



FM/AM radio & AUX & Bluetooth® & hands-free telephone



THE NEXT LEVEL OF PERFORMANCE

The engine output is increased compared to previous models, providing extra power.

»» Engine output

18.9 kW / 2,400 min⁻¹

The newly adopted ECO-mode saves even more energy.

»» Fuel consumption

Reduced by **25%**

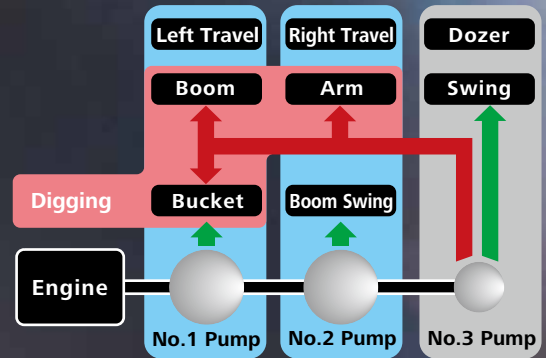
(Compared to H-mode)

Smoother operation

The new hydraulic system improves levelling performance.

Integrated-Flow Pump System

During the digging operation, depending upon job condition, the machine provides the additional flow to the boom, arm or bucket circuit, from No.3 pump (swing and dozer pump), to increase available input power to those functions.



COMPACT SIZE, BIG PERFORMANCE

Min. swing radius
at boom swing

1,930 mm (SK265R)
1,900 mm (SK285R)

Figures above show the values for
cab with standard arm spec.

Tail swing
radius

775 mm (SK265R)
775 mm (SK285R)

Short tail swing

The compact tail swing improves
operating efficiency in limited space.

Tail overhang

0 mm (90 mm)

(without rear view mirror)

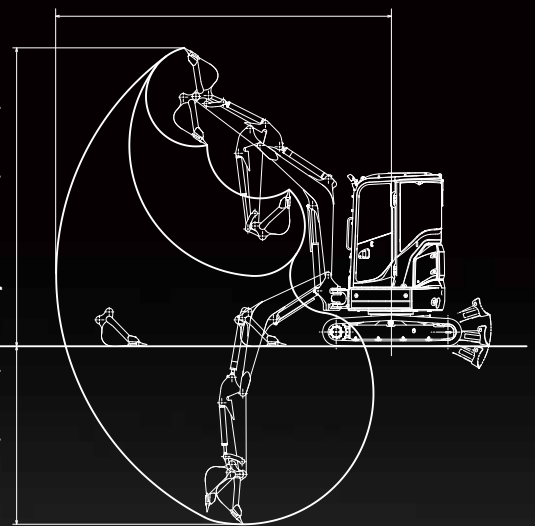
Figure in () shows the value with
additional counterweight.



4,770 mm (SK265R)
4,840 mm (SK285R)

4,250 mm (SK265R)
4,480 mm (SK285R)

2,540 mm (SK265R)
2,590 mm (SK285R)



Arm length 1.15 m (SK265R)
1.18 m (SK285R)

Wide working range

Long arms are provided as optional equipment
to ensure a wide working range.

VERSATILITY



Hydraulic piping for quick hitch

For increased efficiency, various attachments, such as the bucket, can be easily mounted and dismantled without leaving the cab.



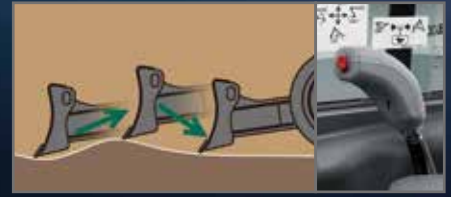
Dozer lever

The new ergonomic dozer lever has a 1st/2nd travel speed select switch integrated into the handle for easier dozer functions.



Dozer-blade shape

KOBELCO's unique blade design forms the earth into an arc that always falls forward. Because this prevents material from falling behind the blade, only one pass is needed.



Floating dozer (Option)

Dozer float is optional to assist in easier leveling work. Floating function can be activated by the switch which is integrated into the dozer control lever.

LEGENDARY RELIABILITY

The boom, arm and swing bracket all have large cross-section segments for added attachment strength.

Boom cylinder guard

Plate type pin

Forged boom top

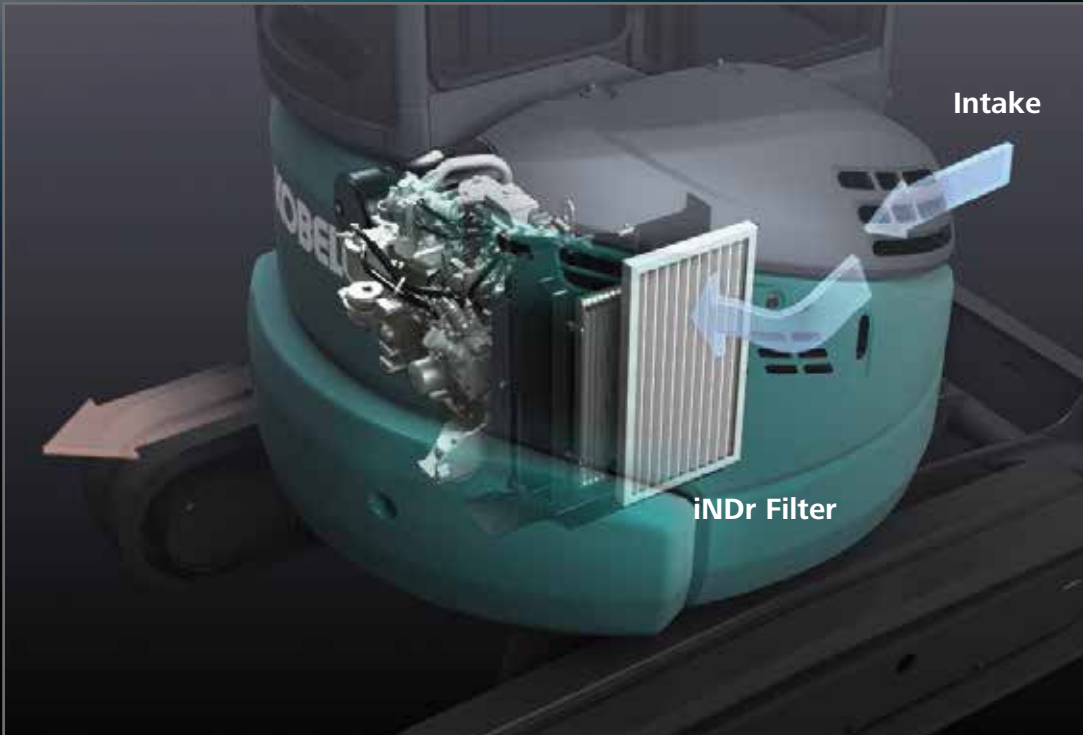
Bucket
Cast-iron idler link provides greater strength.

Dozer
Reinforced dozer supports provide greater strength.

Swing bracket
Large, thick cast-iron swing bracket/front bracket.

Hydraulic hosing
The hydraulic hosing is housed inside the swing bracket for protection.

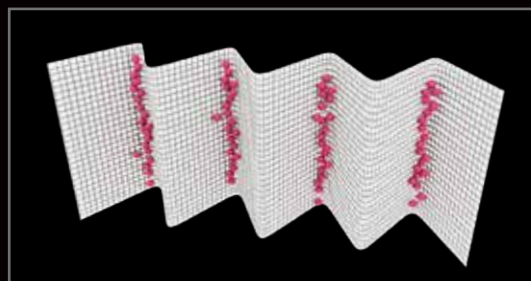
NON-STOP OPERATION BY iNDr



iNDr

A high-density mesh filter blocks dust and debris from entering the cooling package during air intake. This prevents the cooling device and the air cleaner from clogging, allowing the machine to maintain cooling performance.

The ridges of the corrugated filter allow air to pass through, while the grooves collect dust and debris, preventing the filter from clogging.



The iNDr filter has a high-density mesh of 30 lines per inch to collect dust.

EASY MAINTENANCE

Easy daily maintenance to reduce machine downtime.



Easy Access to Components Inside the Cab



Hour meter



Cab fresh air intake filter



Cab re-circulation air filter



Operator manual storage pockets

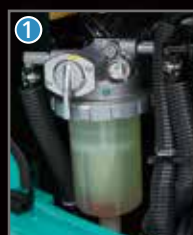
Easy Access to Cooling Unit



iNDR filter

Laid out for easy access to radiator and cooling system.

Easy Access to Engine Compartment



- ① Pre fuel filter with built-in water separator
- ② Air cleaner
- ③ High-grade fuel filter

OPERATOR SAFETY



Reliable cab/canopy structure

The high-strength cab/canopy meets ROPS, TOPS and OPG Level 1 (Top guard) standards for greater operator safety.



LED work light

Changed from halogen light to LED light for more brightness.



Safety valve for boom cylinder (Option)



Safety valve for arm cylinder (Option)



Improved visibility

The wiper mount has been moved to the upper right of the cab support and the skylight opening has been enlarged, improving visibility to the front and above.



Rear view mirror



Rear under mirror



Hammer for emergency exit



Accumulator for emergency attachment lowering

An installed accumulator allows the attachment to be safely lowered to the ground using in-cab controls in the event of an unexpected engine shut-down with class leading smooth operation.

Standard and Optional Equipment

● =Std ○ =Opt — = N/A

Category	Description	SK26SR-7	SK28SR-7
ENGINE	YANMAR 3TNV88 (Tier 3 certified)	●	●
	Alternator 12 V /40 A	●	●
	Starter motor 12 V/1.7 kW	●	●
	Battery 1x 12 V (80 Ah)	●	●
	Fan suction type cooling system	●	●
	iNDr system	●	●
	Auto deceleration function	●	●
	Accelerator dial	●	●
	ECO-mode	●	●
Engine start password	●	●	
HYDRAULIC SYSTEM	Integrated-Flow Pump System	●	●
	HCP (for N&B piping) with hydraulic flow adjustment	●	●
	HCP (for Rotation &N&B piping) with hydraulic flow adjustment	○	○
	Hydraulic oil VG32	○	○
	Hydraulic oil VG46	●	●
PIPING	N&B piping	●	●
	Rotation &N&B piping	○	○
	QH piping	●	●
CABIN	Suspension seat (Canopy: PVC / Cab: fabric)	●	●
	Headrest*	●	●
	Retractable seatbelt	●	●
	Multi-function color display	●	●
	LED door light*	●	●
	Air-conditioner*	●	●
	FM/AM radio (AUX & Bluetooth®)*	●	●
	Cup holder	●	●
	Coat hook*	●	●
	Smart phone holder*	●	●
	USB/AUX port*	●	●
	12V power outlet	○	○
	Harness for cab beacon light*	●	●
LIGHTS	LED work lights ; 1 on boom, 2 on cab top front / 1 on canopy front	●	●
WORKING EQUIPMENT	Standard boom (2.09 m)	●	—
	Standard boom (2.17 m)	—	●
	Standard arm (1.15 m)	●	—
	Standard arm (1.18 m)	—	●
	Long arm (1.40 m)	○	—
	Long arm (1.48 m)	—	○
	0.05 m ³ (350 mm) bucket	○	○
	0.07 m ³ (450 mm) bucket	○	○
	0.07 m ³ (500 mm) bucket	○	○
	0.08 m ³ (500 mm) bucket	○	○
	0.10 m ³ (600 mm) bucket	○	○
0.12 m ³ (700 mm) bucket	—	○	
COUNTER WEIGHT	Standard C/W	●	●
	Additional C/W (+250 kg)	○	○
UNDERCARRIAGE	250 mm rubber shoe	●	—
	250 mm steel shoe	○	—
	300 mm rubber shoe	—	●
	300mm steel shoe	—	○
	Dozer blade (1,550 mm)	●	●
	Floating dozer	○	○
SAFETY EQUIPMENT	Cab (ROPS(ISO 3471 : 2008) / TOPS(ISO 12117 : 1997) / OPG(ISO 10262 : 1998)	●	●
	Canopy (ROPS(ISO 3471 : 2008) / TOPS(ISO 12117 : 1997) / OPG(ISO 10262 : 1998)	○	○
	Front guard	○	○
	Top guard*	○	○
	Rear view mirror (left)	●	●
	Rear under mirror (right rear)	●	●
	Travel alarm	●	●
OTHERS	Boom cylinder rod guard	●	●
	Arm & bucket cylinder rod guard	○	○
	RAL colour	○	○

* Only for Cab

Note: Bluetooth® is a registered trademark of the Bluetooth SIG Inc.

Specifications

Engine

Model	YANMAR 3TNV88
Type	Four-cycle, water-cooled, direct injection diesel engine, Tier 3 certified
No. of cylinders	3
Bore and stroke	88 mm × 90 mm
Displacement	1,642 ml
Rated power output	17.9 kW / 2,400 min ⁻¹ (ISO 9249 : with fan) 18.9 kW / 2,400 min ⁻¹ (ISO 14396: without fan)
Max. torque	87.8 N•m / 1,440 min ⁻¹ (ISO 14396: without fan)

Hydraulic system

Pump	
Type	Two variable displacement axial piston pumps + one gear pump + pilot pump
Max. discharge flow	2 x 28.8 L/min, 1 x 16.1 L/min, 1 x 10.8 L/min
Relief valve setting	
Boom, arm and bucket	23.0 MPa {235 kgf/cm ² }
Travel circuit	23.0 MPa {235 kgf/cm ² }
Swing circuit	SK26SR 16.6 MPa {169 kgf/cm ² }
	SK28SR 20.0 MPa {204 kgf/cm ² }
Blade circuit	SK26SR 20.6 MPa {210 kgf/cm ² }
	SK28SR 23.0 MPa {235 kgf/cm ² }
Control circuit	3.5 MPa {36 kgf/cm ² }
Pilot control pump	Gear type
Main control valve	10-Spool valve
Oil cooler	Air cooled type

Swing system

Swing motor	One fixed displacement piston motor
Brake	Hydraulic; locking automatically when the swing control lever is in the neutral position
Parking brake	Wet multiple plate
Swing speed	SK26SR 7.9 min ⁻¹
	SK28SR 8.2 min ⁻¹
Swing torque	4.2 kN•m

Dozer blade

		bore × stroke	
Dozer cylinder	SK26SR	85 mm × 135 mm	
	SK28SR	90 mm × 180 mm	

Travel system

Travel motors	Two Variable displacement piston motor	
Travel brakes	Hydraulic brake	
Parking brakes	Wet multiple plate	
Travel shoes	SK26SR	80 each side
	SK28SR	88 each side
Travel speed	SK26SR	4.4/2.6 km/h (rubber shoe)
		4.3/2.5 km/h (steel shoe)
	SK28SR	3.8/2.1 km/h (rubber shoe)
		3.7/2.0 km/h (steel shoe)
Drawbar pulling force	SK26SR	27.9 kN (Cab) / 28.0 kN (Canopy)
	SK28SR	34.7 kN (Cab) / 34.7 kN (Canopy)
Gradeability	58 % {30 °}	

Cab & control

Cab	All-weather, insulated floor mat.
Control	Two hand levers and two foot pedals for travel Two hand levers for excavating and swing Electric rotary-type engine throttle Foot control (for boom swing) Dozer lever

Boom, arm & bucket

Model	SK26SR	SK28SR
Boom cylinder	70 mm × 458 mm	75 mm × 565 mm
Arm cylinder	70 mm × 494 mm	70 mm × 548 mm
Bucket cylinder	60 mm × 417 mm	65 mm × 445 mm
Swing cylinder	75 mm × 477 mm	75 mm × 477 mm

Refilling capacities & lubrications

Model	SK26SR	SK28SR
Fuel tank	42 L	
Cooling system	3.8 L	
Engine oil	6.7 L	
Travel reduction gear	2 × 0.6 L	
Hydraulic oil tank	16 L tank oil level	20.4 L tank oil level
	31 L hydraulic system	44.8 L hydraulic system

Operating weight & ground pressure

In standard trim, with standard boom, standard arm, and 0.08 m³ (58 kg) bucket

Arm length	SK26SR				SK28SR			
	Cab		Canopy		Cab		Canopy	
Shaped	Steel shoe	Rubber shoe	Steel shoe	Rubber shoe	Steel shoe	Rubber shoe	Steel shoe	Rubber shoe
Shoe width	250				300			
Overall width of crawler	1,550							
Ground pressure	31.6	30.4	29.9	28.7	28.7	27.8	27.3	26.4
Operating weight	2,810	2,680	2,660	2,530	3,270	3,160	3,120	3,010
Machine Mass	2,740	2,600	2,590	2,450	3,200	3,090	3,040	2,930

Working ranges

Unit: mm

Model	SK26SR	SK28SR
Arm length	1.15 m	1.18 m
a- Max. digging reach	4,770	4,840
b- Max. digging reach at ground level	4,630	4,680
c- Max. digging depth	2,540	2,590
d- Max. digging height	4,250	4,480
e- Max. dumping clearance	2,850	3,090
f- Min. dumping clearance	1,000	1,290
g- Max. vertical wall digging depth	2,360	2,270
h- Min. swing radius at boom straight	2,210	2,190
h'- Min. swing radius at boom swing	1,930	1,900
i- Horizontal digging stroke at ground level	1,980	1,910
j- Digging depth for 2.4 m (8') flat bottom	2,040	2,050
k- Dozer blade (height/depth) (mm)	440/315	450/370

*Figures in the above tables show the value with 0.08 m³ bucket.

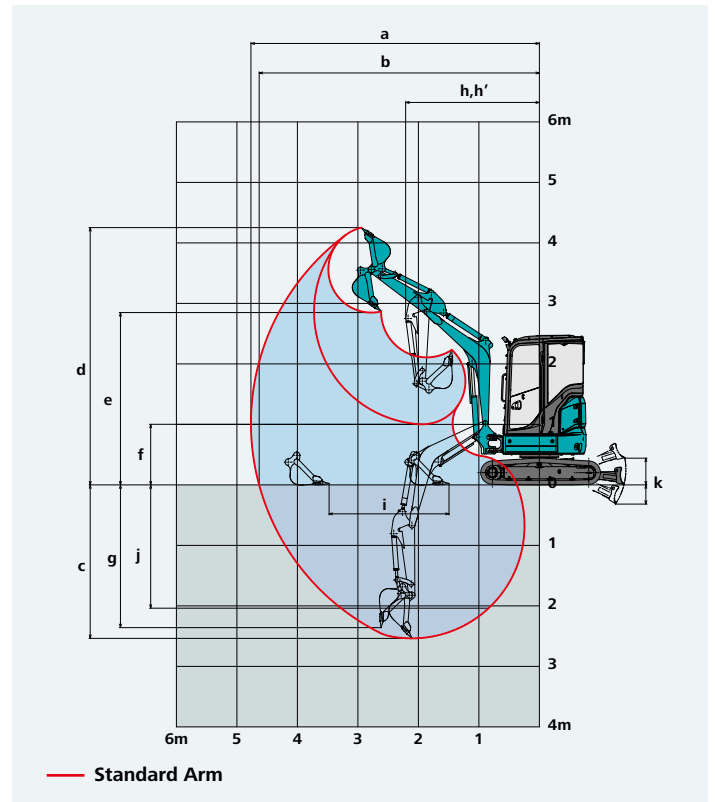
Digging force (ISO 6015)

Unit: kN

Model	SK26SR	SK28SR
Arm length	1.15 m	1.18 m
Bucket digging force	20.8	24.7
Arm crowding force	14.2	16.6

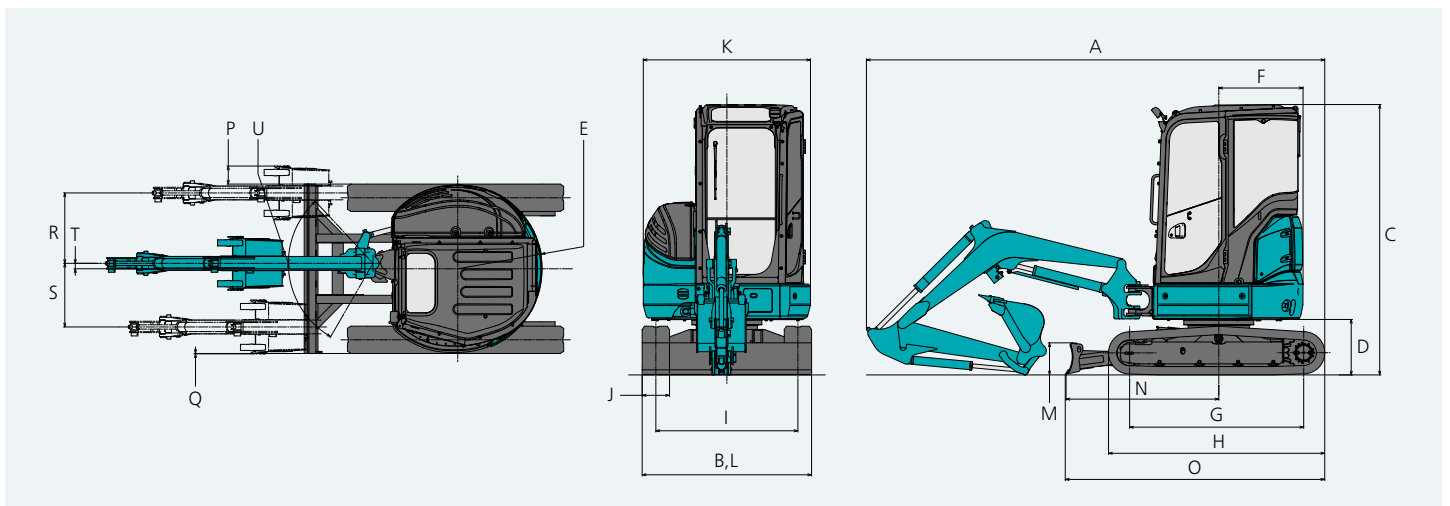
Dimensions

Model	SK26SR	SK28SR
Arm length	1.15 m	1.18 m
A Overall length	4,190	4,510
B Overall width	1,550	1,550
C Overall height (to top of cab/canopy)	2,470/2,440	2,550/2,510
D Ground clearance of rear end	510	575
E Tail swing radius (additional counterweight)	775/865*	775/865*
F Distance from center of swing to rear end (additional counterweight)	775/865*	775/865*
G Tumbler distance	1,590	1,700
H Overall length of crawler	1,980	2,160
I Track gauge	1,300	1,250
J Shoe width	250	300
K Overall width of upper structure	1,530	1,530

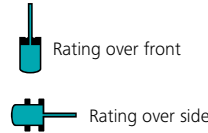
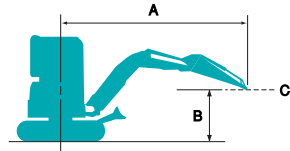


		Unit: mm	
L	Blade width	1,550	1,550
M	Blade height	295	345
N	Distance from dozer top to center of upper structure	1,400	1,500
O	Basic machine length	2,380	2,590
P	Digging distance outside crawler shoe (right)	165	195
Q	Digging distance outside crawler shoe (left)	5	105
R	Boom offset volume (right)	645	670
S	Boom offset volume (left)	580	680
T	Offset volume of boom center	50	50
U	Boom swing angle (Left/Right)	60°/47°	60°/55°

*Standard counterweight + additional counterweight



Lift capacities



A: Reach from swing centreline to arm top
 B: Arm top height above/below ground
 C: Lift point
 Bucket: Without
 Dozer: Blade up
 Relief valve setting: 23.0 MPa

SK26SR Canopy		Arm: 1.15 m Standard counterweight Rubber shoe: 250 mm																	
B	A	1.0m		1.5m		2.0m		2.5m		3.0m		3.5m		4.0m		At max. reach		Radius	
		Rating over front	Rating over side	Rating over front	Rating over side	Rating over front	Rating over side	Rating over front	Rating over side	Rating over front	Rating over side	Rating over front	Rating over side	Rating over front	Rating over side	Rating over front	Rating over side		
3.5m	kg																570	470	2.86 m
3.0m	kg																430	360	3.36 m
2.5m	kg									520	430	400	330				370	300	3.69 m
2.0m	kg									510	420	400	330				330	270	3.90 m
1.5m	kg							660	530	500	400	390	320	310	260		310	250	4.02 m
1.0m	kg							630	510	480	390	380	310	310	250		300	250	4.06 m
0.5m	kg							610	490	470	380	370	300	310	250		300	250	4.01 m
G.L.	kg					870	670	600	480	460	370	370	300				320	260	3.89 m
-0.5m	kg	*1,170	*1,170	*1,340	1,130	870	670	600	480	460	370	370	300				340	280	3.67 m
-1.0m	kg			1,580	1,140	880	680	610	480	460	370						400	320	3.33 m
-1.5m	kg			*1,350	1,170	900	700	620	500								520	420	2.81 m

SK26SR Canopy		Arm: 1.15 m Additional counterweight (+250 kg) Rubber shoe: 250 mm																	
B	A	1.0m		1.5m		2.0m		2.5m		3.0m		3.5m		4.0m		At max. reach		Radius	
		Rating over front	Rating over side	Rating over front	Rating over side	Rating over front	Rating over side	Rating over front	Rating over side	Rating over front	Rating over side	Rating over front	Rating over side	Rating over front	Rating over side	Rating over front	Rating over side		
3.5m	kg																*580	*580	2.86 m
3.0m	kg																550	460	3.36 m
2.5m	kg									*530	*530	510	430				470	390	3.69 m
2.0m	kg									*580	540	510	420				430	360	3.90 m
1.5m	kg							*820	680	630	520	500	420	410	340		400	340	4.02 m
1.0m	kg							810	660	620	510	490	410	400	330		390	330	4.06 m
0.5m	kg							790	640	600	490	480	400	400	330		400	330	4.01 m
G.L.	kg					1,120	880	780	630	590	490	480	390				410	340	3.89 m
-0.5m	kg	*1,170	*1,170	*1,340	*1,340	1,130	880	780	630	590	480	480	390				450	370	3.67 m
-1.0m	kg			*1,910	1,480	1,140	890	780	630	600	490						520	430	3.33 m
-1.5m	kg			*1,350	*1,350	*960	910	*700	650								*530	*530	2.81 m

SK26SR Cab		Arm: 1.15 m Standard counterweight Rubber shoe: 250 mm																	
B	A	1.0m		1.5m		2.0m		2.5m		3.0m		3.5m		4.0m		At max. reach		Radius	
		Rating over front	Rating over side	Rating over front	Rating over side	Rating over front	Rating over side	Rating over front	Rating over side	Rating over front	Rating over side	Rating over front	Rating over side	Rating over front	Rating over side	Rating over front	Rating over side		
3.5m	kg																*580	490	2.86 m
3.0m	kg																460	380	3.36 m
2.5m	kg									*530	460	430	350				390	320	3.69 m
2.0m	kg									550	440	420	350				350	290	3.90 m
1.5m	kg							710	570	530	430	420	340	340	270		330	270	4.02 m
1.0m	kg							670	540	510	410	410	330	330	270		320	260	4.06 m
0.5m	kg							650	520	500	400	400	320	330	270		330	260	4.01 m
G.L.	kg					930	710	640	510	490	390	390	320				340	280	3.89 m
-0.5m	kg	*1,170	*1,170	*1,340	1,200	930	720	640	510	490	390	390	320				370	300	3.67 m
-1.0m	kg			1,690	1,210	940	730	650	510	490	390						430	350	3.33 m
-1.5m	kg			*1,350	1,240	*960	740	660	530								*530	450	2.81 m

SK26SR Cab		Arm: 1.15 m Additional counterweight (+250 kg) Rubber shoe: 250 mm																	
B	A	1.0m		1.5m		2.0m		2.5m		3.0m		3.5m		4.0m		At max. reach		Radius	
		Rating over front	Rating over side	Rating over front	Rating over side	Rating over front	Rating over side	Rating over front	Rating over side	Rating over front	Rating over side	Rating over front	Rating over side	Rating over front	Rating over side	Rating over front	Rating over side		
3.5m	kg																*580	*580	2.86 m
3.0m	kg																*550	480	3.36 m
2.5m	kg									*520	*520	*530	450				490	410	3.69 m
2.0m	kg									*580	560	530	440				450	370	3.90 m
1.5m	kg							*820	710	660	550	530	430	430	350		420	350	4.02 m
1.0m	kg							850	690	650	530	520	430	420	350		410	340	4.06 m
0.5m	kg							830	670	640	520	510	420	420	350		420	340	4.01 m
G.L.	kg					1,190	920	820	660	630	510	500	410				440	360	3.89 m
-0.5m	kg	*1,170	*1,170	*1,340	*1,340	1,190	930	820	660	630	510	500	410				470	390	3.67 m
-1.0m	kg			*1,910	1,550	1,200	930	830	660	630	510						550	450	3.33 m
-1.5m	kg			*1,360	*1,360	*960	950	*700	680								*530	*530	2.81 m

SK28SR Canopy		Arm: 1.18 m Standard counterweight Rubber shoe: 300 mm																
B	A	1.0m		1.5m		2.0m		2.5m		3.0m		3.5m		4.0m		At max. reach		Radius
3.5m	kg									660	520					630	500	3.07 m
3.0m	kg									*630	530	500	400			500	390	3.52 m
2.5m	kg									650	520	500	400			430	340	3.82 m
2.0m	kg					*1,140	960	860	670	630	500	490	390	390	310	390	310	4.01 m
1.5m	kg							810	620	610	470	480	370	380	300	370	290	4.11 m
1.0m	kg							770	590	580	450	460	360	380	300	360	280	4.13 m
0.5m	kg							750	560	570	440	450	350	370	290	360	280	4.07 m
G.L.	kg					1,080	790	740	560	560	430	440	340			380	290	3.93 m
-0.5m	kg	*1,560	*1,560	*1,720	1,340	1,080	790	740	560	550	430	440	340			410	320	3.69 m
-1.0m	kg	*2,090	*2,090	2,010	1,360	1,100	800	740	560	560	430					480	380	3.33 m
-1.5m	kg			2,060	1,390	1,120	830	760	580							650	500	2.77 m

SK28SR Canopy		Arm: 1.18 m Additional counterweight (+250 kg) Rubber shoe: 300 mm																
B	A	1.0m		1.5m		2.0m		2.5m		3.0m		3.5m		4.0m		At max. reach		Radius
3.5m	kg									*670	640					*680	610	3.07 m
3.0m	kg									*630	*630	620	500			610	490	3.52 m
2.5m	kg									*680	630	610	490			530	430	3.82 m
2.0m	kg					*1,140	*1,140	*890	820	770	610	600	480	490	390	480	390	4.01 m
1.5m	kg							990	770	750	590	590	470	480	380	460	370	4.11 m
1.0m	kg							950	740	720	570	580	460	470	380	450	360	4.13 m
0.5m	kg							930	710	710	550	560	450	470	370	460	360	4.07 m
G.L.	kg					1,340	990	920	710	700	550	560	440			480	380	3.93 m
-0.5m	kg	*1,560	*1,560	*1,720	1,680	1,340	1,000	920	710	700	540	560	440			520	410	3.69 m
-1.0m	kg	*2,090	*2,090	*2,450	1,700	1,360	1,010	930	710	700	550					610	480	3.33 m
-1.5m	kg			*2,060	1,730	1,380	1,030	950	730							810	630	2.77 m

SK28SR Cab		Arm: 1.18 m Standard counterweight Rubber shoe: 300 mm																
B	A	1.0m		1.5m		2.0m		2.5m		3.0m		3.5m		4.0m		At max. reach		Radius
3.5m	kg									*670	550					670	530	3.07 m
3.0m	kg									*630	550	530	420			530	420	3.52 m
2.5m	kg									*680	540	530	420			450	360	3.82 m
2.0m	kg					*1,140	1,010	*890	700	670	520	520	410	410	330	410	320	4.01 m
1.5m	kg							860	660	640	500	500	400	410	320	390	310	4.11 m
1.0m	kg							820	620	620	480	490	380	400	310	380	300	4.13 m
0.5m	kg							790	600	600	460	480	370	400	310	390	300	4.07 m
G.L.	kg					1,140	830	780	590	590	450	470	370			400	310	3.93 m
-0.5m	kg	*1,560	*1,560	*1,720	1,420	1,150	840	780	590	590	450	470	370			440	340	3.69 m
-1.0m	kg	*2,090	*2,090	2,140	1,430	1,160	850	790	600	600	460					520	400	3.33 m
-1.5m	kg			*2,060	1,470	1,190	870	810	610							690	530	2.77 m

SK28SR Cab		Arm: 1.18 m Additional counterweight (+250 kg) Rubber shoe: 300 mm																
B	A	1.0m		1.5m		2.0m		2.5m		3.0m		3.5m		4.0m		At max. reach		Radius
3.5m	kg									*670	*670					*680	640	3.07 m
3.0m	kg									*630	*630	640	520			640	510	3.52 m
2.5m	kg									*680	660	640	510			560	450	3.82 m
2.0m	kg					*1,140	*1,140	*890	850	*780	640	630	500	510	410	510	410	4.01 m
1.5m	kg							1,040	810	780	620	620	490	500	400	480	390	4.11 m
1.0m	kg							1,000	770	760	600	610	480	500	400	470	380	4.13 m
0.5m	kg							980	750	740	580	590	470	490	390	480	380	4.07 m
G.L.	kg					1,410	1,040	970	740	730	570	590	460			500	400	3.93 m
-0.5m	kg	*1,560	*1,560	*1,720	*1,720	1,410	1,040	970	740	730	570	590	460			550	430	3.69 m
-1.0m	kg	*2,090	*2,090	*2,450	1,770	1,430	1,060	970	750	740	580					640	500	3.33 m
-1.5m	kg			*2,060	1,800	*1,410	1,080	990	760							850	660	2.77 m

- Do not attempt to lift or hold any load that is greater than these lift capacities at their specified lift point radius and heights. Weight of all accessories must be deducted from the above lift capacities.
- Lift capacities are based on machine standing on level, firm, and uniform ground. User must make allowance for job conditions such as soft or uneven ground, out of level conditions, side loads, sudden stopping of loads, hazardous conditions, experience of personnel, etc.
- Arm top defined as lift point.
- The above lift capacities are in compliance with ISO 10567. They do not exceed 87% of hydraulic lift capacity or 75% of tipping load. Lift capacities marked with an asterisk(*) are limited by hydraulic capacity rather than tipping load.
- Operator should be fully acquainted with the Operator's and Maintenance Instructions before operating this machine. Rules for safe operation of equipment should be adhered to at all times.
- Lift capacities apply to only machine as originally manufactured and normally equipped by KOBELCO CONSTRUCTION MACHINERY CO., LTD.

Note: This catalogue may contain attachments and optional equipment that are not available in your area. And it may contain photographs of machines with specifications that differ from those of machines sold in your areas. Please consult your nearest KOBELCO distributor for those items you require.
Specialist equipment is needed to use this machine in demolition work. Before using it please contact your KOBELCO dealer.
Due to our policy of continuous product improvements all designs and specifications are subject to change without advance notice.
Copyright by **KOBELCO CONSTRUCTION MACHINERY CO., LTD.** No part of this catalogue may be reproduced in any manner without notice.

KOBELCO CONSTRUCTION MACHINERY CO., LTD.

5-15, Kitashinagawa 5-chome, Shinagawa-ku, Tokyo 141-8626 JAPAN
Tel: +81 (0) 3-5789-2146 Fax: +81 (0) 3-5789-2135
www.kobelcocm-global.com

Enquiries To:

SK26SR_SK28SR-7-ANZ-101-2402XXEX