



STORAGE BINS SLB120, B600 & B1000

Storage bins with soft close doors

- 304 grade Stainless Steel Cabinets
- Food grade polyethylene liners
- Doors lift up vertically for easy access to ice and have a soft-closing mechanism to prevent operator injury
- Can be fitted with adaptors to suit a range of cube and flake icemakers
- Supplied with ice scoop, 150mm legs and 2.5M flexible drain hose



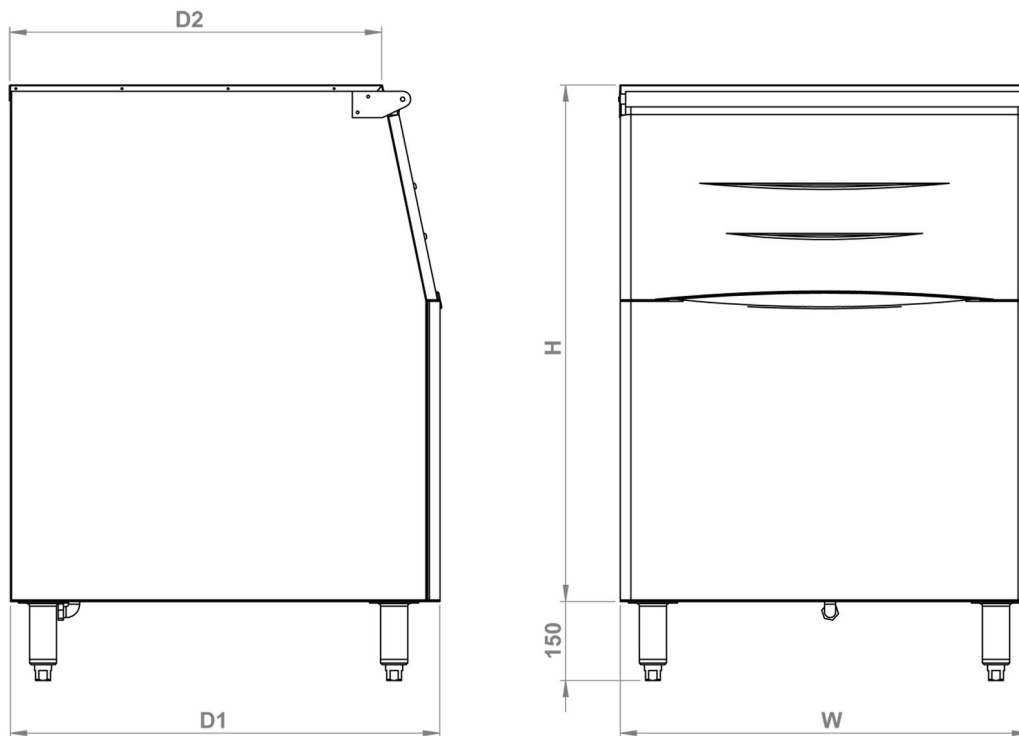
Drainage

- Threaded drain hole located under centre back of bin
- All bins supplied with threaded elbow and 2.5M flexible hose
- Drainage point should be located at least 100mm below bin base

Legs

- All bins supplied with 150mm adjustable legs
- Optional 300mm legs available on request

Model	W	D1	D2	H	Capacity (kg)
SLB120	565	810	700	980	120
B600	770	810	700	980	220
B1000	1230	915	800	1090	400



Continuing product improvement may necessitate changes of specifications without notice

For more information or the name of your local sales agent contact:

Stuart Icemakers

1 Jaylem Crescent Padstow NSW 2211

Sales 1300 301 380 ~ **General Enquiries** 02 9773 3711

Fax 02 9773 4400 ~ **Email** sales@icemachines.com.au

Website www.icemachines.com.au