

Specification Sheet

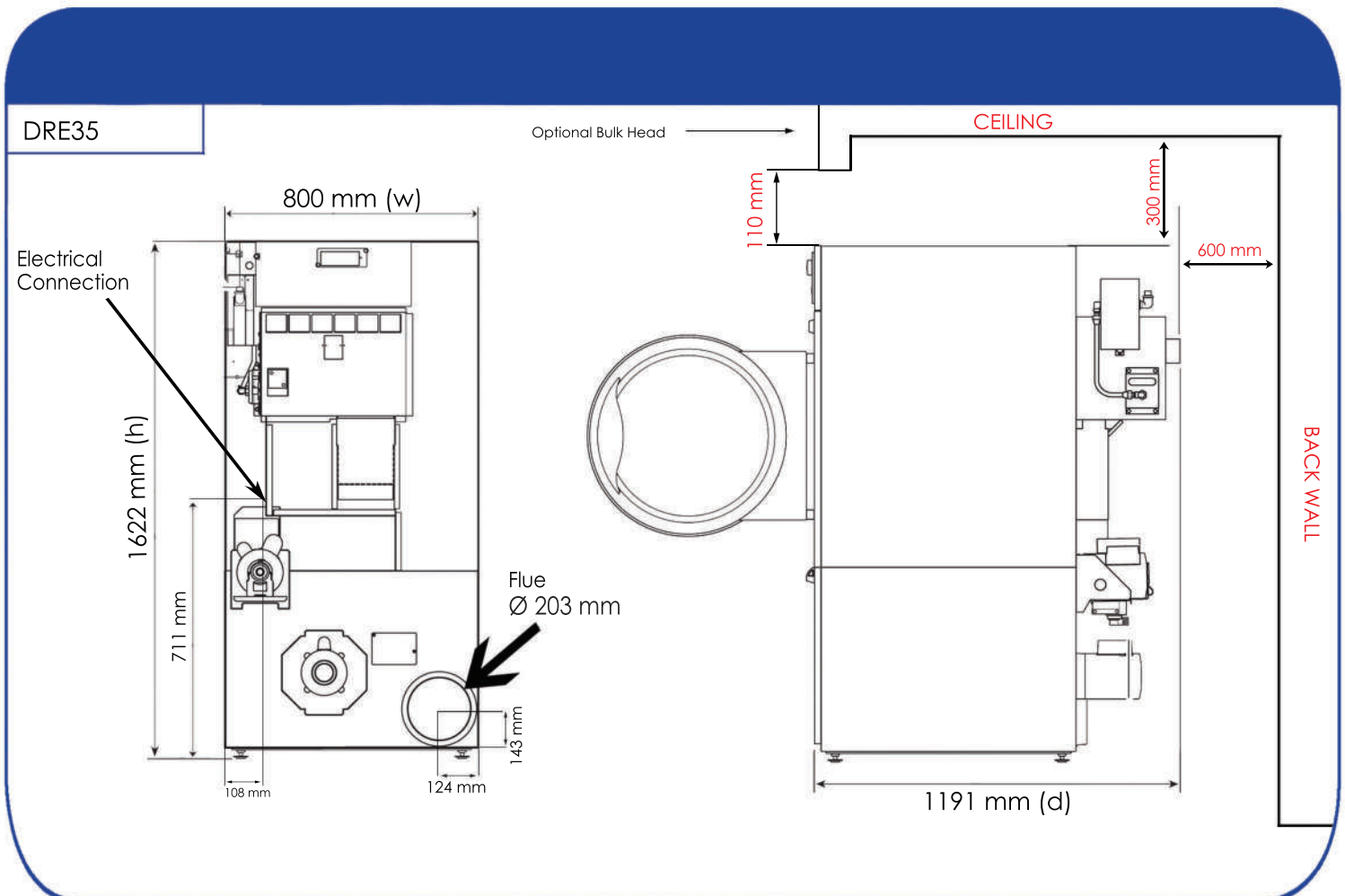
DRE35 Industrial Dryer



DRE35

Capacity (Wet)	16 kg
Volume	347 L
Drum Diameter	762 mm
Net Weight (Gas and Electric)	164 kg
Flue Diameter	Ø 203 mm
Electricity	415 Volt – 50 hz
Electrical Recommendations	Three Phase Isolating Switch, 45 Amp Individual Circuit Required
Electrical Connection	Ensure connection point is within one meter of equipment

*Please allow a 25mm gap on sides and a 100mm gap on top if dryer is to be built into an enclosed space.



B-Electrical
Services

EnviroSaver
Ozone Laundry Disinfection

Tel: (08) 8337 7394
(08) 8337 7216
www.b-electrical.com.au