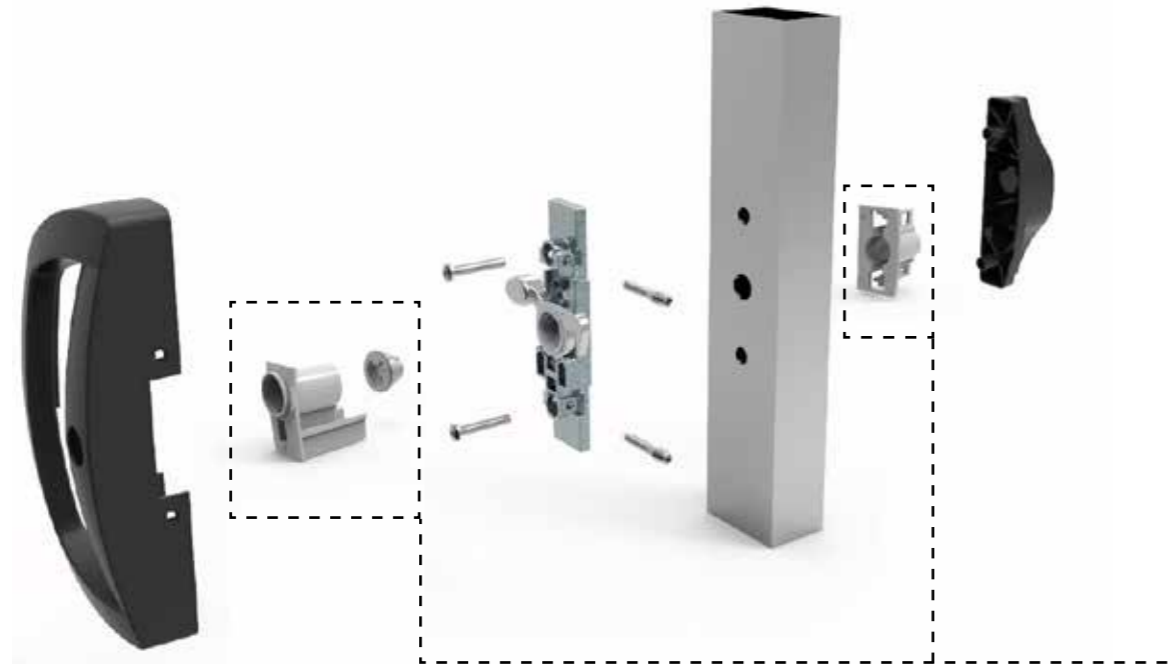




DS1150 | ADAPTEK SLIDING
DOOR LOCK

DS1150 Adaptek Sliding Door Lock

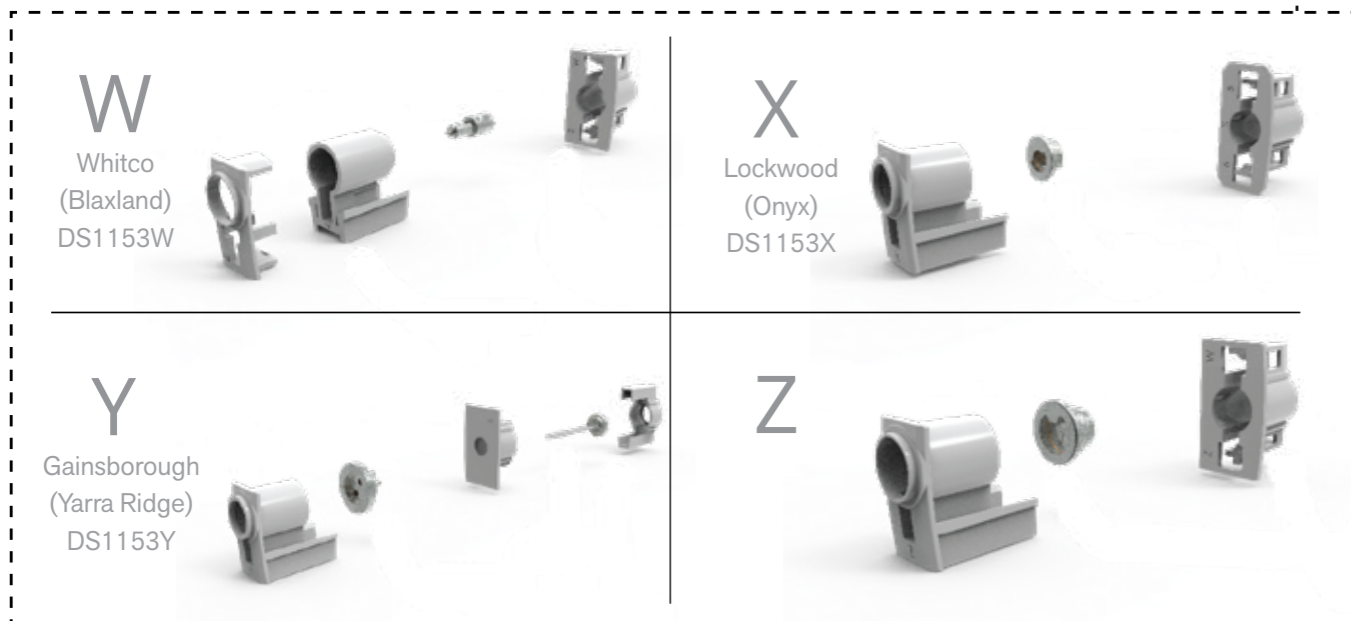


Overview

The Doric DS1150 Adaptek™ is a revolutionary design for residential sliding doors which provides the ability to use various branded cylinders by utilizing cylinder adapters with Doric's universal chassis concept.

The flexibility of the modular cylinder concept means that customers no longer have to compromise on their choice of lock just to match their keys.

Adapter Options **



Assembly - Technical Information

Features

The DS1150 Adaptek™:

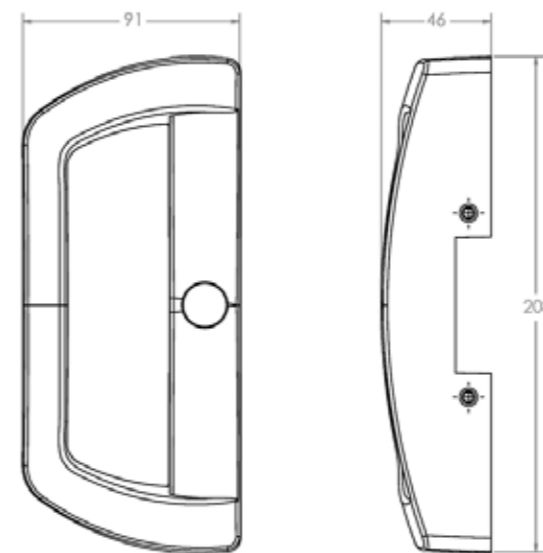
- Integrates into many construction keyed or restricted master-key systems
- Adapters suit
 - Whitco *Blaxland type cylinders
 - Lockwood *Onyx type cylinders
 - Gainsborough (Austral) *Yarra Ridge type cylinders
 - Doric Standard Pin Cylinders
- Ergonomically designed handle for maximum grip and usability
- 7-degree offset external handle for ease of use when against door frame

Ordering Procedure

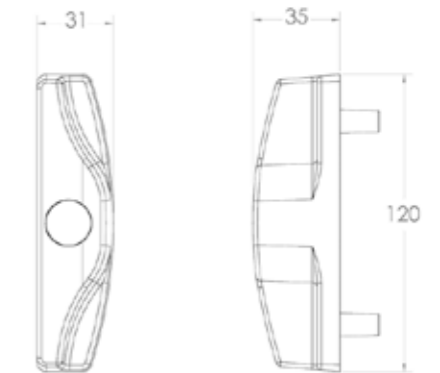
eg. DS1150/ Finish/DS5001/Screws/Adapter

Internal / External
Handles and Chassis

Keeper



DS1150 Adaptek D Handle Dimensions



DS898 External Handle Dimensions

TECHNICAL SPECIFICATIONS

Materials:	Polesium™ Internal D Handle Powdercoated Zinc External Handle Zinc Internal Chassis
Finish Availability:	Powdercoat White, Black, Silver. More colours available on request Mill Finish (Internal Handle only, PC black external handle)
Suitability:	Sliding Doors
Cylinder:	Cylinders purchased separately to be supplied by other proprietary or Dorics C4 pin Cylinder
Screw Options:	To suit door thickness: 30mm 20 - 32mm 35mm 23 - 37mm 40mm 28 - 42mm 50mm 38 - 52mm
Keeper Options:	DS5001 Universal (Standard) DS5004 Extra Wide DS5006 In-line
Adapter Options	Refer to Diagram **

*Disclaimer:
Product names and trademarks are the property of their respective owners which in no way are associated or affiliated with Doric Products. Names are solely for the purpose of identifying the specific compatible cylinder types. Use of these names do not imply any co-operation or endorsement by them.

INNOVATORS

OF HARDWARE FOR WINDOWS AND DOORS

SYDNEY

38 Redfern St,
Wetherill Park
Sydney, NSW 2164
Australia
Ph: +61 2 9609 2555
www.doric.com.au

AUCKLAND

26/C Triton Drive,
Albany, North Shore,
New Zealand 0632
Auckland
Ph: +64 9 415 5535
www.doricnz.co.nz

KUALA LUMPUR

No.17 Jalan 51/203A, Kawasan
perindustrian Tiong Nam,
Seksyen 51, 46050 Petaling Jaya,
Selangor, Malaysia
Ph: +60377733628
www.doric.com.my



DS1150 | ADAPTEK SLIDING
DOOR LOCK