

EBA2580 eZ.HD Series

5MP, IP66 IR Dome Camera

User's Manual



Copyright © EverFocus Electronics Corp.

Release Date: September, 2019

All the images including product pictures or screen shots in this document are for example only. The images may vary depending on the product and software version. Information contained in this document is subject to change without notice.

EverFocus Taiwan:

2F., No.12, Ln. 270, Sec. 3, Beishen Rd., Shenkeng Dist., New Taipei City 222, Taiwan
TEL: +886 2 2662 2338 FAX: +886 2 2662 3632 www.everfocus.com.tw

1. Introduction

EverFocus eZ.HD series cameras – EBA2580 deliver 5MP image quality. The model is equipped with Sony STARVIS CMOS sensor and provides 2.8-12mm lens with ICR. Featured with True Wide Dynamic Range (T-WDR), the camera can provide clear images even under backlight circumstances where intensity of illumination can vary excessively. The EBA2580 supports both NTSC and PAL scanning systems and is IP66 certified.

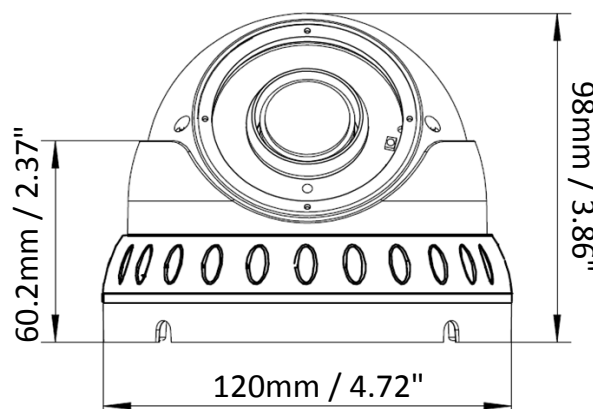
1.1 Packing List

- Camera x 1
- Mounting Sticker x 1
- L-Type Wrench x 1
- Screw & Screw Anchor x 4
- User Manual x 1

1.2 Features

- Equipped with Sony STARVIS 5MP CMOS sensor
- Varifocal 2.8-12mm with ICR to capture the desired field of view
- Extended IR range of up to 30m / 98ft. with 24 LEDs (depends on scene IR reflectivity)
- T-WDR to improve the visibility under high contrast scene
- The flexible angle viewing with its 3-Axis rotation design allows wall or ceiling mounting
- IP66-rated with metal housing
- Supports UTC function: Control camera OSD settings from DVR end

1.3 Dimensions



1.4 Optional Accessory

BA-E320



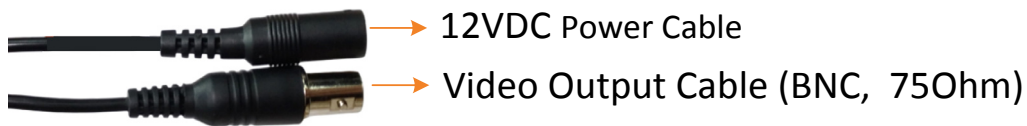
Color / Material: White / Metal
Size (Φ x H): 138 x 54mm / 5.43" x 2.13"
Weight: 700g / 1.5lb

BA-EB45



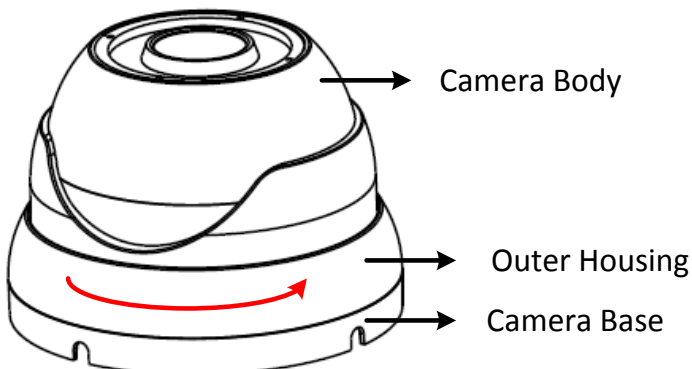
Color / Material: White / Metal
Size (W x D x H): 245 x 160 x 163mm / 9.65" x 6.3" x 6.42"
Weight: 2.1kg / 4.63lb

1.5 Cable Description



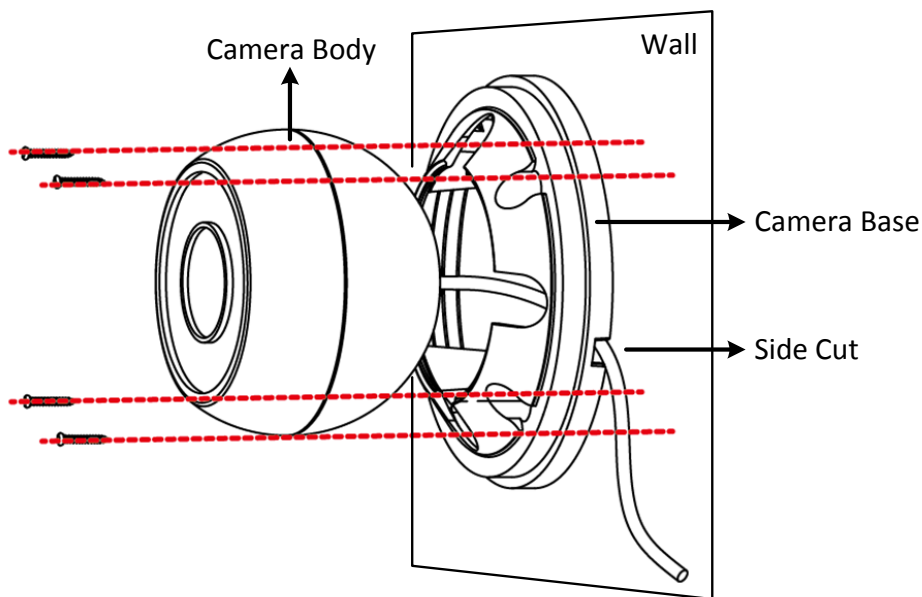
2. Installation

1. Stick the supplied **Mounting Sticker** to the surface to mark the 4 screw positions. Drill four holes on the surface and insert the supplied 4 **Screw Anchors** into the screw holes. If you want to run the cable through the surface, drill a hole within the 4 screw area.
2. Unscrew the **Outer Housing** by twisting it counterclockwise and then remove it from the **Camera Base**.

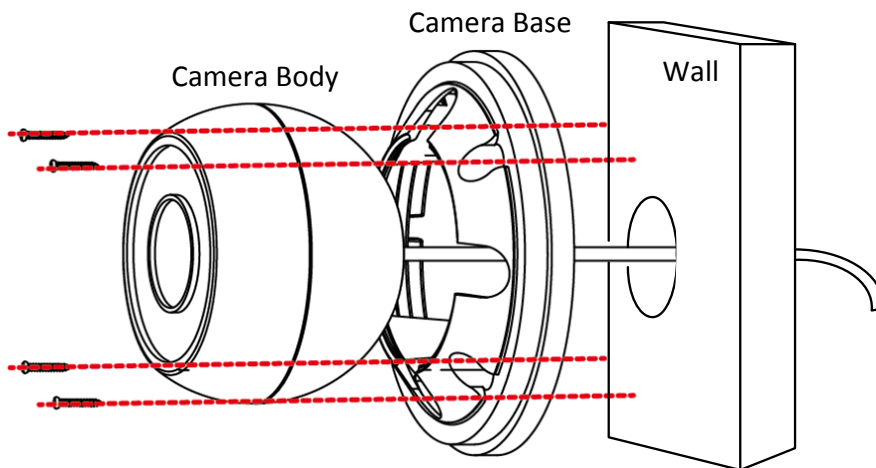


3. Screw the **Camera Base** to the surface with the supplied four **Screws**.

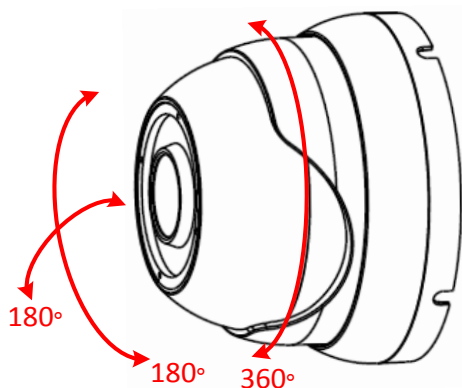
- a. If you want to wire the cables from the Side Cut on the Camera Base:
 Attach the Camera Body to the Camera Base and run the cables through the Camera Base, and then place the cable under the Side Cut. Finally, screw the Camera Base to the surface with the supplied 4 Screws.



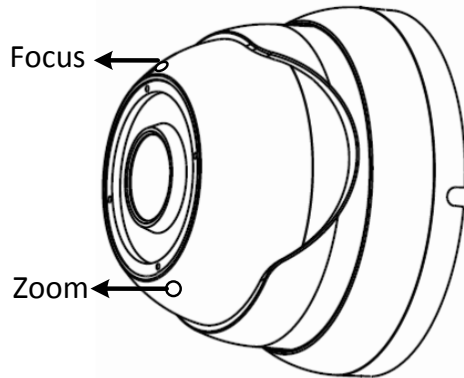
- b. If you want to wire the cables through the surface:
 Attach and screw the Camera Base to the surface with the supplied 4 Screws, and then attach the Camera Body to the Camera Base.



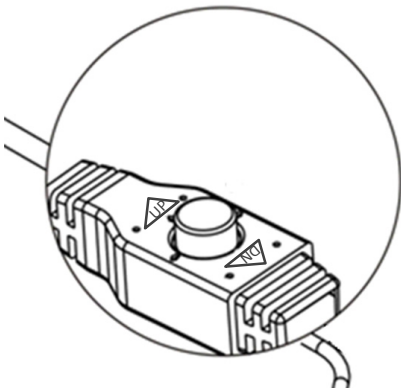
4. Screw back the **Outer Housing** and adjust camera angle simultaneously.



5. Connect the **Power Cable** to a 12VDC power source. Connect the **Video Output Cable** to a monitor or DVR.
6. For the first time installation, check whether the camera is properly focused. If not, you can optionally adjust camera zoom and focus by adjusting the Zoom Screw or Focus Screw using a slotted screwdriver.



7. You can use the **Joystick** on the cable to configure camera OSD settings. Remove the Protection Cap from the Joystick before using it.



Configuring OSD Settings:

- Push the Joystick up / down to select among menu items.
- Push the Joystick left / right to adjust the level of the selected item.
- Press the Joystick to enter the submenu or exit the OSD Setup Menu.

3. Configuration in the OSD Menu

No	Main	Sub Menu	Sub Menu / Function				
1	Edge Det	On	Level	0-10			
			Color	YEL, CYN, GRN, MAG, RED, BLU, BLK, WHT			
		Off					
2	Exposure	Brightness	0-20				
		Shutter	Auto	Mode	Normal / Deblur		
			Manual	Speed	1/30, 1/60, 1/120, 1/250, 1/500, 1/1000, 1/2000, 1/4000, 1/8000, 1/15000, 1/30000		
			Flicker				
		Sens-Up	X2, x4, x8, x16, x32, Off				
AGC	0-10						
3	Backlight	HLC	Level	0-20			
			Color	YEL, CYN, GRN, MAG, RED, BLU, BLK, WHT			
		BLC	H-POS	0-26			
			V-POS	0-32			
			H-SIZE	0-26			
			V-SIZE	0-32			
		WDR	WDR Mode	Frame, Line			
				Box	Window Zone	0-3	
			Window Use		On, Off		
			H-POS		0-2608		
			V-POS		0-1960		
			H-SIZE		0-2608		
			V-SIZE	0-1960			
			ROI Mode	Polygon	Window Zone	0-3	
					Window Use	On, Off	
					POS0-X	0-721	
		POS0-Y			0-535		
POS1-X	0-721						
POS1-Y	0-535						
POS2-X	0-721						
POS2-Y	0-535						
POS3-X	0-721						
POS3-Y	0-535						
Off							
Weight		High, Middle, Low					
Off							
4	Day/Night	Mode	Auto	IR LED	Adaptive, Off		
				Anti-Sat.	0-20		
				D>N Thres	0-20		
				N>D Thres	0-20		
				Delay	High, Middle, Low		
			Color				
B/W	IR LED	Adaptive, Off					

				Anti-Sat.	0-20			
				D>N Thres	0-20			
				N>D Thres	0-20			
				Delay	High, Middle, Low			
			Extern	IR LED	Adaptive, Off			
				Anti-Sat.	0-20			
				Extern SW	High, Low			
				D>N Thres	0-20			
				N>D Thres	0-20			
				Delay	High, Middle, Low			
5	Color	AWB	Auto					
			Autoext					
			Preset					
		Manual	C-Temp	3000K, 5000K, 8000K				
			R-Gain	0-20				
		B-Gain	0-20					
		Color Gain	0-20					
6	DNR	High, Middle, Low, Off						
7	Image	Sharpness	0-10					
		Gamma	0.45, 0.55, 0.65, 0.75					
		Mirror	On, Off					
		Flip	On, Off					
		D-Zoom	1.0X-16X					
		ACE	High, Middle, Low, Off					
		Defog	On	Mode	Auto, Manual			
				Level	High, Middle, Low			
			Off					
		Shading	On	Weight	0%-100%			
				Off				
				Box	On	Zone Num	0-15	
						Zone Disp	On, Off	
						H-POS	0-80	
						V-POS	0-61	
						H-Size	0-80	
						V-Size	0-61	
						Y Level	0-20	
						CB Level	0-20	
						CR Level	0-20	
		Trans	0-3					
			Off					
		Polygon	On	Zone Num	0-7			
				Zone Disp	On, Off			
				POS0-X	0-162			
				POS0-Y	0-122			
				POS1-X	0-162			
				POS1-Y	0-122			
				POS2-X	0-162			
				POS2-Y	0-122			
				POS3-X	0-162			
				POS3-Y	0-122			
				Y Level	0-20			

					CB Level	0-20	
					CR Level	0-20	
					Trans	0-3	
				Off			
8	Motion	On	Det Window	Window Use	0-3		
				Window Zone	On, Off		
				Det H-POS	0-80		
				Det V-POS	0-60		
				Det H-Size	0-80		
				Det V-Size	0-60		
			Sensitivity	0-10			
			Motion OSD	On, Off			
			Text Alarm	On, Off			
			Signal Out	On, Off			
		Off					
9	System	Output	Frame Rate	4K/15fps, 4MP/30fps, 1080p/30fps, 5MP/12.5fps, 5MP/20fps, 4MP/15fps			
			Freq	60Hz, 50Hz			
			Analog Mode	AHD, TVI, CVI, CVBS			
			Confirm	Yes			
			Return				
			Exit				
		Image Range	Full				
			Comp				
			User	Offset	0-32		
		Color Space	HD-CbCr, SD-CbCr, YUV				
		Audio Mic	Not supported				
		Color Bar	On, Off				
		Language	ENG, CHN, CHN(S), JPN, KOR, POR, ESP				
		Cam Title	Left-Down				
			Right-Up				
Off							
Reset	On						
10	Exit						