



Flexible Gripping Systems for Lightweight Robotics

Modular Gripper Kit PXT

Schmalz Modular Gripper Kit PXT

Flexible Gripping Systems for Lightweight Robotics

The modular gripper kit PXT optimizes the design of flexible gripping systems for lightweight robotics. Solutions for a wide range of handling processes can be implemented with just a few standardized components. The integrable vacuum guide ensures maximum flexibility of use and practicality. Mounting and retrofitting are simple, fast and require only a few tools.



Modular PXT gripper handling a glass pane

APPLICATION

- Flexible system for automating a wide range of handling processes with lightweight robots
- Modularity enables rapid adaptation to new workpieces and requirements
- Use in confined spaces thanks to low interfering contours and internal vacuum guide (optional)
- Part removal from tools and machines
- For payloads up to 25 kg and gripper dimensions up to 800 x 600 mm

Highlights



Customizable

- Modular system – adaptable and expandable at any time
- Preconfigured flanges for common lightweight robots
- Everything from a single source – thanks to matching connection elements for all Schmalz components



Flexibly expandable

- Few standard components offer a wide range of applications
- Multiple use thanks to high-quality components
- Fast adaptability to changing requirements



Easy to integrate

- Low weight – ideal for lightweight robots
- Low interfering contour due to integrable vacuum guide
- Simple and fast assembly with only a few tools

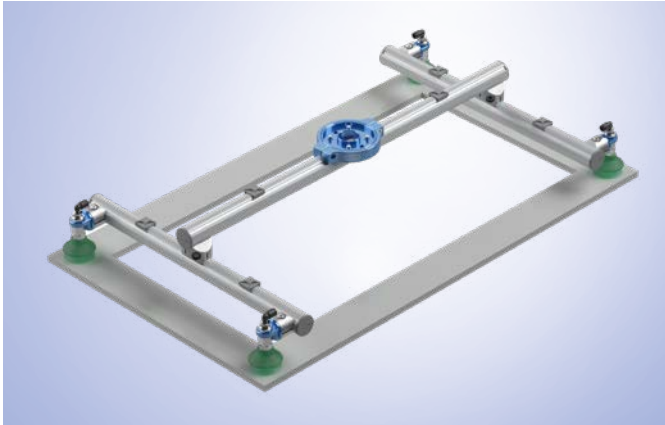


Online configurable

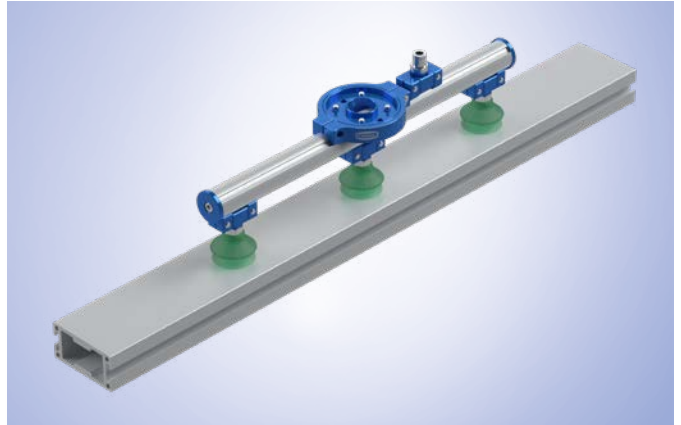
- The quick and easy way to your individual gripper – web-based in your browser
- Intuitive operation thanks to live preview with 3D views
- Have direct access to CAD models, request prices and quotes

Schmalz Modular Gripper Kit PXT

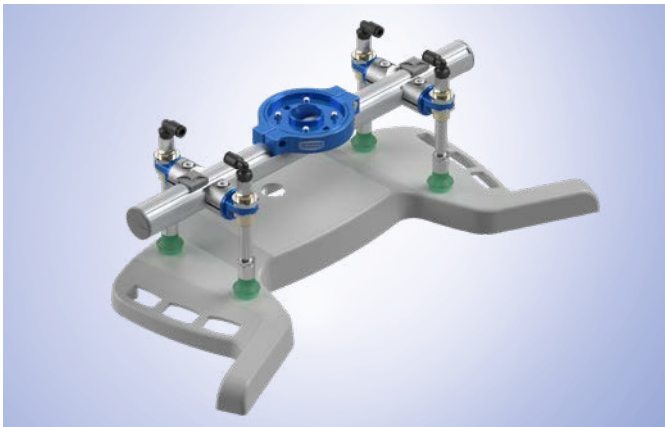
Example Configurations



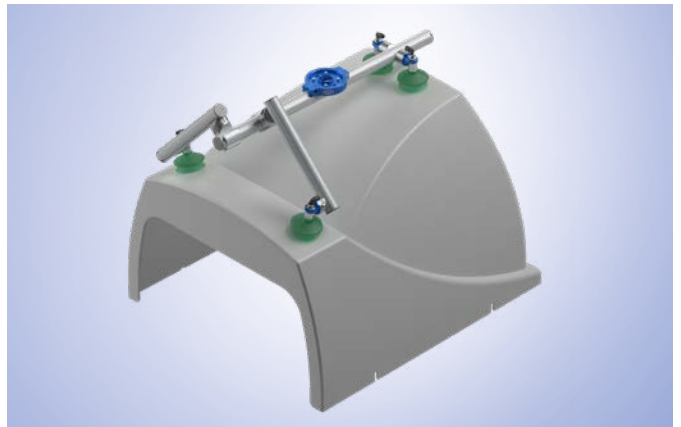
Use in workpiece handling of semi-finished parts or for logistics tasks



Handling of sections, pipes and beams



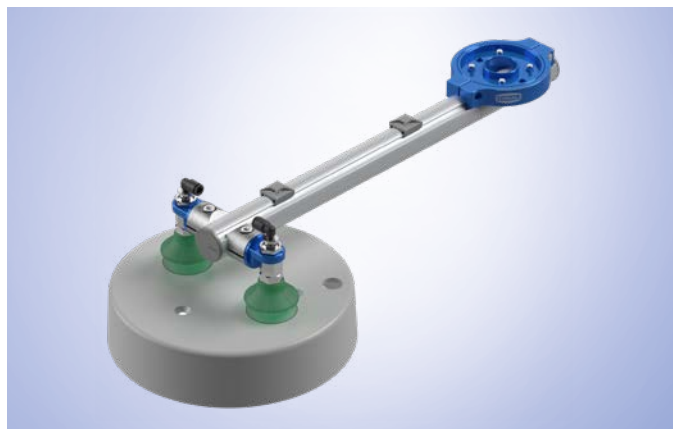
Use in assembly processes



Handling of free-form parts due to the possibility of three-dimensional design of the gripper

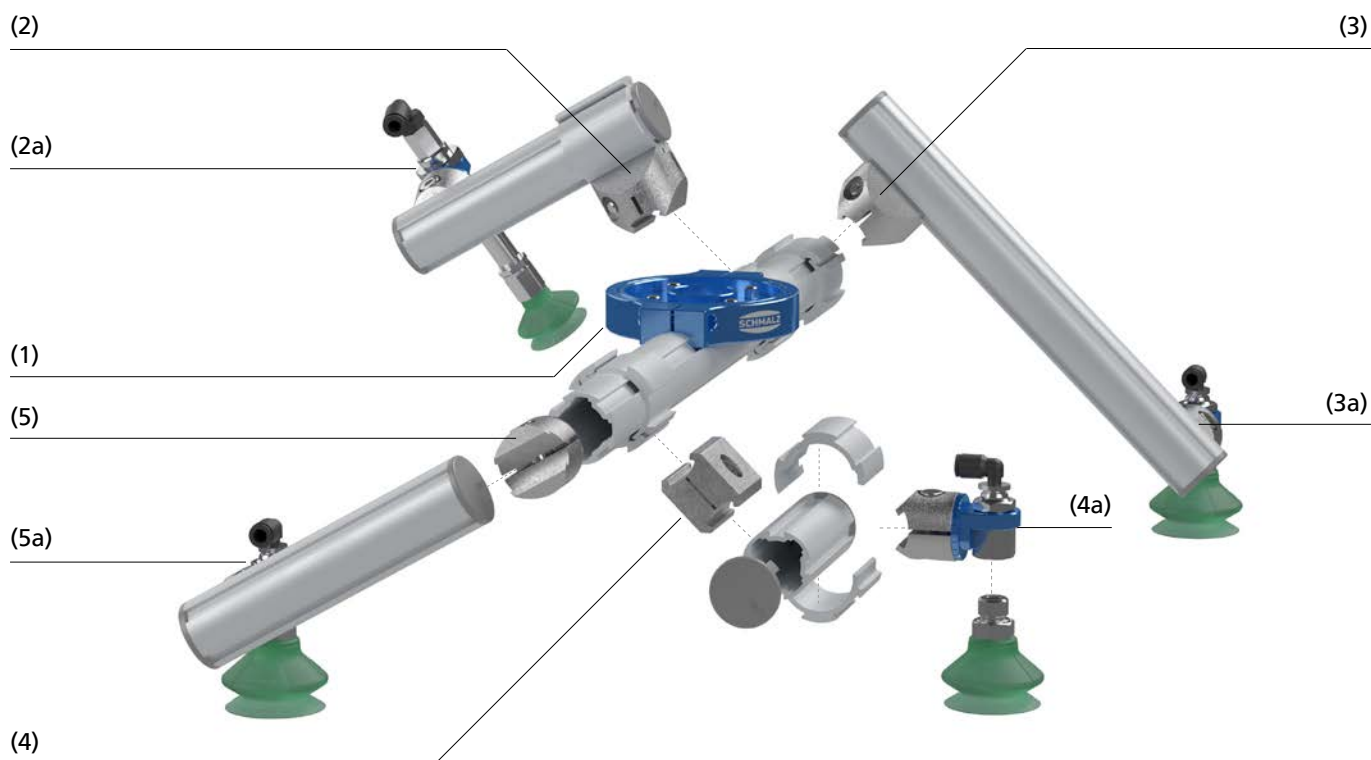


Simultaneous handling of several workpieces, for example for material cuts



Use for machine loading and unloading

Modular Kit at a Glance



DESIGN

- Flange (1) for connecting a longitudinal beam
- Double rotation of the cross beam via two 3D clamps and a cross connector (2) as well as swivelable spring plunger connection (2a)
- Single rotation of the cross beam via 3D clamp and cross connector (3) as well as swivelable suction cup connection (3a)
- Parallel movement of the suction cup via two 3D clamps and a parallel connector (4) as well as swivelable suction cup connection to the 3D clamp (4a)
- Simple rotation of the cross beam via an internal connector (5) and swivelable suction cup connection (5a)

Schmalz Modular Gripper Kit PXT Components



Flange Sets PXT

Flange patterns suitable for common lightweight robots



Mounting Profile MO-PROF PXT

Stable standard aluminum profile with diameter 30 mm



Pneumatic Distributor SVB PXT

With push coupling as T- or multiple distributors



Mounting Technology PXT

90° cross connector with optional vacuum feedthrough or 3D connector



Connection Technology PXT

Holders for suction cups, spring plungers and other components



Starter Set PXT

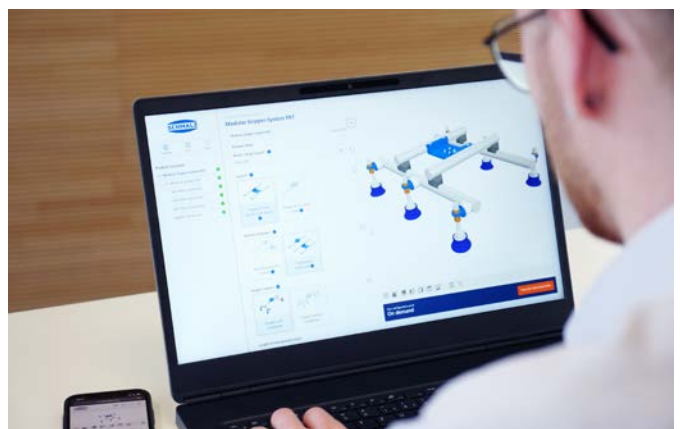
Set of more than 50 parts for flexible assembly of a ready-to-connect gripper

Configuration and Ordering

The **configuration** of your PXT gripper is done via an online configurator or by combining the single parts.

We offer you three **ordering options**:

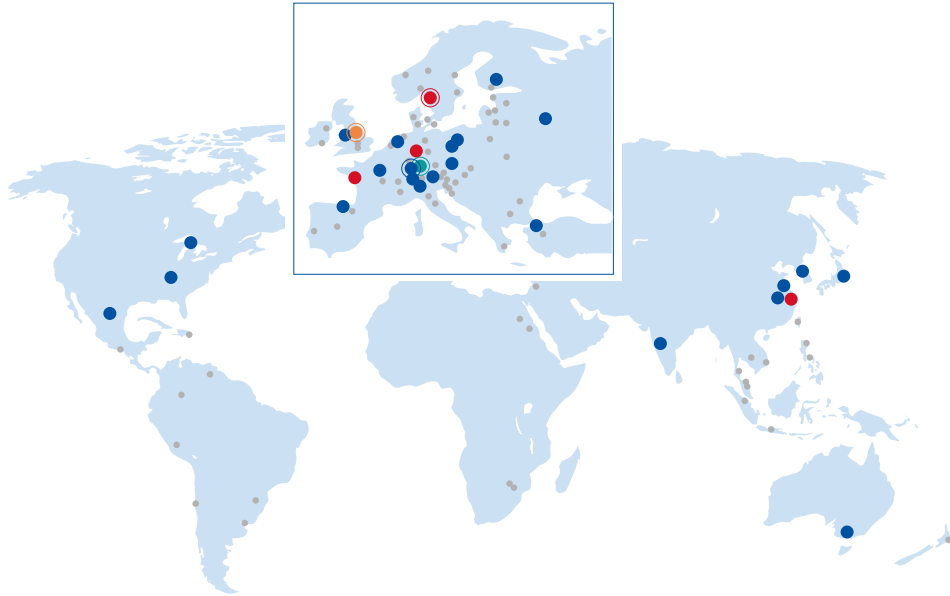
- 1.** You order a gripper ready to connect.
- 2.** You order a gripper and assemble it yourself at your site.
- 3.** You order the individual components according to your requirements.



The **online configurator** and **ordering information** for individual components can be found in our online shop:
WWW.SCHMALZ.COM/PXT

For **individual configurations**, contact your system consultant for vacuum automation:
WWW.SCHMALZ.COM/SALESNETWORK

The Schmalz Group – Worldwide On Site



● Germany – Glatten

● International companies:

Australia – Melbourne
 Austria – Pasching
 Benelux – Hengelo (NL)
 Canada – Mississauga
 China – Shanghai
 China – Taicang
 Czech Republic – Hranice
 Finland – Vantaa
 France – Champs-sur-Marne
 India – Pune
 Italy – Galliate (NO)

Japan – Yokohama
 Mexico – Querétaro
 Poland – Bydgoszcz
 Poland – Poznan
 Russia – Moscow
 South Korea – Anyang
 Spain – Erandio (Vizcaya)
 Switzerland – Nürensdorf
 Turkey – Istanbul
 United Kingdom – Manchester
 USA – Raleigh (NC)

● Sales partners

BINAR HANDLING

● Sweden – Trollhättan

● International companies:

China – Shanghai
 France – La Haie-Fouassière
 Germany – Staufenberg

 Palamatic

● United Kingdom – Chesterfield

 GPS GESELLSCHAFT FÜR
PRODUKTIONSSYSTEME

● Germany – Stuttgart

Vacuum Automation

WWW.SCHMALZ.COM/AUTOMATION

Handling Systems

WWW.SCHMALZ.COM/HANDLING-SYSTEMS

J. Schmalz GmbH

Johannes-Schmalz-Str. 1
 72293 Glatten, Germany
 T: +49 7443 2403-0
 schmalz@schmalz.de
 WWW.SCHMALZ.COM



schmalz.vacuumtechnology



schmalz_group



schmalzmediacenter



schmalz



j-schmalzgmbh



schmalz_de