



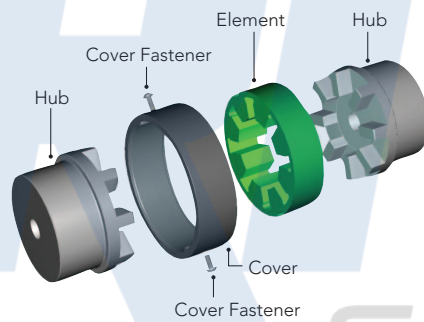
Applications:

- Lube Oil Pumps
- Centrifugal Pumps
- Vertical Pumps
- Compressors
- Blowers
- Mixers
- Gear Boxes
- Conveyors
- Winders for paper rolls
- Runout tables

Falk Wrapflex Elastomer Couplings

Falk® Wrapflex® elastomer couplings keeping production lines running more profitably. Downtime is reduced with quick and easy installations. Unique replace-in-place elements eliminate the need for time-consuming realignments, and reduce inventory carrying costs relative to jaw or spider couplings. With

a tough polyurethane element that offers excellent wear and chemical resistance, and 12 sizes ranging in torque capacity from 100 – 133,000 lb-in, Wrapflex couplings provide non-lubricated solutions for many challenging applications.



Features & Benefits	
Replace in place design	Quick & easy element replacement for reduced downtime
	Blind assembly
	No need to move hubs
	No realignment of motors or drives
Flexible polyurethane element	No lubrication for reduction in maintenance costs
	Excellent wear and chemical resistance for longevity
Patented compound root radius in element	Extended element life
	Improved flexibility for easier installation
Weather resistant cover	Positive element retention for safety
	Internal key alignment for easy/blind installation
Patented hub design	Protects connected equipment
	Improved element contact for increased element life
Fewer sizes covering large torque range	Fewer SKU's to manage
	Reduction in inventory carrying costs

Product Overview			
Size	Torque Rating lb-in	Max RPM	Max Bore in
5R	550	4500	1.625
10R	1,150	4500	1.875
20R	2,800	4500	2.375
30R	4,600	4500	2.875
40R	9,100	3600	3.375
50R	22,200	3000	4.125
60R	35,500	2500	5.250
70R	70,900	2100	6.125
80R	133,000	1800	7.250

Lovejoy® to Wrapflex Interchange

Direct Interchange				To drop down 1 coupling size, check:				
Lovejoy*	Torque Rating (in-lb)	Max Bore (in)	Wrapflex	Torque Rating (in-lb)	Max Bore (in)	Smaller Wrapflex Size	Bore Requirement	Torque Requirement
L/AL110	792.0	1.625	10R10	1,150	1.875	5R10**		√
L/LC150	1,240.0	1.875		2,800	2.375			√
AL150	1,450.0	1.875	20R10	2,800	2.375	10R10		√
L/LC190	1,728.0	2.125		2,800	2.375		√	√
L/LC225	2,340.0	2.625	30R10	4,600	2.875	20R10	√	
C226	2,988.0	2.500		4,600	2.875		√	√
L276/C276	4,716.0	2.875	40R10	9,100	3.375	30R10		√
C280	7,560.0	3.000		9,100	3.375		√	√
C285	9,182.0	4.000		22,200	4.125		√	√
C295	11,340.0	3.500	50R10	22,200	4.125	40R10	√	√
C2955	18,900.0	4.000		22,200	4.125		√	√
H3067	33,395.0	4.500	60R10	35,500	5.250	50R10	√	√
H3567	46,632.0	5.000		70,900	6.125			√
H3667	64,812.0	5.629	70R10	70,900	6.125	60R10		√
H4067	88,224.0	6.250	80R10	133,000	7.250	70R10	√	√
H4567	119,700.0	7.000		133,000	7.250		√	√

* With Buna N insert

** 5R10 Torque rating is 550 in-lbs, bore capacity 1.625"

Sure-Flex® to Wrapflex Interchange

Direct Interchange				To drop down 1 coupling size, check:				
Sure-flex*	Torque Rating (in-lb)	Max Bore (in)	Wrapflex	Torque Rating (in-lb)	Max Bore (in)	Smaller Wrapflex Size	Bore Requirement	Torque Requirement
6S	450	1.438	5R10	550	1.625	5R10		√
7S	725	1.625	10R10	1,150	1.875	5R10		√
8S	1,135	1.938	20R10	2,800	2.375	10R10	√	
9S	1,800	2.500	30R10	4,600	2.875	20R10	√	√
10S	2,875	2.750		4,600	2.875		√	√
11S	4,530	3.375	40R10	9,100	3.375	30R10	√	
12S	7,200	3.875	50R10	22,200	4.125	40R10	√	
13S	11,350	4.500	60R10	35,500	5.250	50R10	√	
14S	18,000	5.000		35,500	5.250		√	
16S	47,250	5.500	70R10	70,900	6.125	60R10	√	√

* With EPDM or Neoprene Sleeves

*Lovejoy is a registered trademark of Lovejoy Inc.

*Sure-Flex is a registered trademark of TB Woods

