

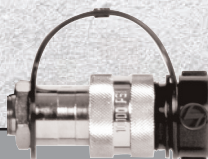
# HIGH TONNAGE SINGLE ACTING CYLINDERS

- Cylinders are burnish rolled for a smooth precision mirror finish.
- Rod wiper seals out dirt and contamination
- Base mounting holes on all models
- Load return
- High strength steel construction from gun drilled solid bar
- High flow 3/8" NPTF couplers
- Polyurethane cup seal provides optimum performance
- Industrial hard chrome plated rod helps prevent rust and corrosion
- Solid steel cylinder body provides strength for high tonnage applications
- Maximum working pressure: 10,000 psi / 700 bar



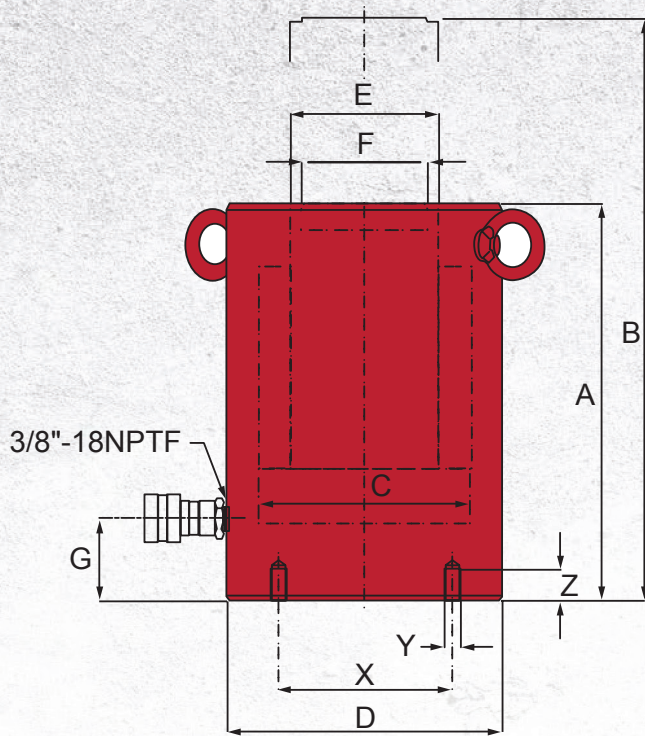
Load Return

Cylinder Capacity (tons)	Stroke (in)	Model Number	Cylinder Effective Area (in <sup>2</sup> )	Internal Pressure at Capacity (psi)	Oil Capacity (in <sup>3</sup> )	Weight (lbs)
100	1.97	HG10002	20.57	9723	40.5	61.0
	3.94	HG10004	20.57	9723	81.00	74.1
	7.87	HG10006	20.57	9723	121.5	87.3
	9.84	HG10008	20.57	9723	161.99	100.4
	11.81	HG10012	20.57	9723	242.99	126.7
150	1.97	HG15002	30.43	9862	59.89	102.4
	3.94	HG15004	30.43	9862	119.78	122.0
	5.91	HG15006	30.43	9862	179.68	141.8
	7.87	HG15008	30.43	9862	239.57	161.6
	9.84	HG15010	30.43	9862	299.46	181.4
200	11.81	HG15012	30.43	9862	359.35	201.7
	1.97	HG20002	40.99	9761	80.68	121.0
	5.91	HG20006	40.99	9761	242.05	201.0
	7.87	HG20008	40.99	9761	322.73	242.0
	11.81	HG20012	40.99	9761	484.10	322.0



High-Flow Coupler:CH38F  
Included on all models





Model Number	Collapsed Height A (in)	Extended Height B (in)	Cylinder Bore Diameter C (in)	Outside Diameter D (in)	Rod Diameter E (in)	Saddle Diameter F (in)	Base to Inlet Port G (in)	Base Mounting Hole		
								Bolt Circle X (in)	Thread Y (mm)	Thread Depth Z (in)
HG10002	7.17	9.13	5.12	6.50	3.74	2.95	2.13	3.74	M12	0.87
HG10004	9.13	13.07	5.12	6.50	3.74	2.95	2.13	3.74	M12	0.87
HG10006	11.10	17.01	5.12	6.50	3.74	2.95	2.13	3.74	M12	0.87
HG10008	13.07	20.94	5.12	6.50	3.74	2.95	2.13	3.74	M12	0.87
HG10012	17.01	28.82	5.12	6.50	3.74	2.95	2.13	3.74	M12	0.87
HG15002	7.72	9.69	6.22	8.07	4.33	3.70	2.40	5.12	M12	0.87
HG15004	9.69	13.62	6.22	8.07	4.33	3.70	2.40	5.12	M12	0.87
HG15006	11.65	17.56	6.22	8.07	4.33	3.70	2.40	5.12	M12	0.87
HG15008	13.62	21.50	6.22	8.07	4.33	3.70	2.40	5.12	M12	0.87
HG15010	15.59	25.43	6.22	8.07	4.33	3.70	2.40	5.12	M12	0.87
HG15012	17.56	29.37	6.22	8.07	4.33	3.70	2.40	5.12	M12	0.87
HG20002	8.50	10.47	7.22	9.25	5.31	4.45	2.62	6.5	M12	0.87
HG20006	12.44	18.35	7.22	9.25	5.31	4.45	2.62	6.5	M12	0.87
HG20008	14.41	22.28	7.22	9.25	5.31	4.45	2.62	6.5	M12	0.87
HG20012	18.35	30.16	7.22	9.25	5.31	4.45	2.62	6.5	M12	0.87