

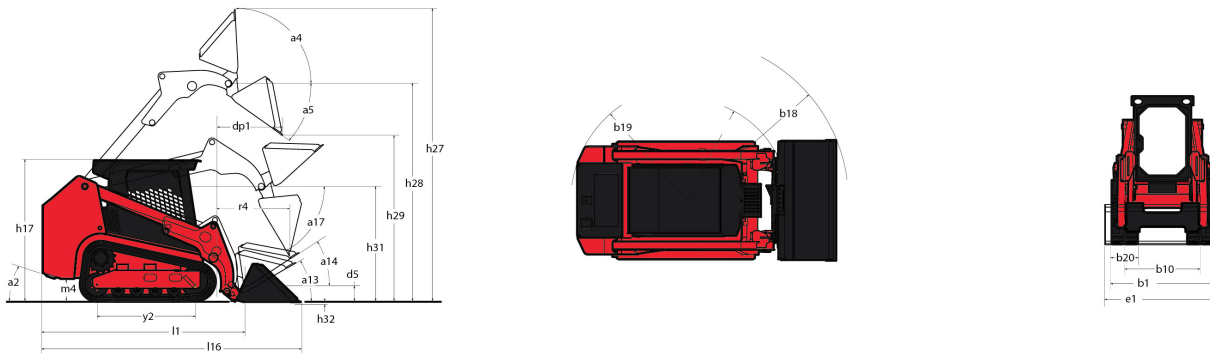
Technical sheet :

1750 RT NXT:3



| Capacities | | Metric |
|---|-----|--|
| Max. capacity | Q | 2268 kg |
| Operating Weight | | 3903 kg |
| Operating Capacity at 35% Tipping Load | | 794 kg |
| Operating Capacity At 50% Tipping Load | | 1134 kg |
| Tipping capacity | | 2268 kg |
| Weight and dimensions | | |
| Overall Operating Height - Fully Raised | h27 | 4267 mm |
| Height to Hinge Pin - Fully Raised | h28 | 3251 mm |
| Reach - Fully Raised | dp1 | 876 mm |
| Dump angle at full height | a5 | 40.2 ° |
| Dump Height - Fully Raised | h29 | 2489 mm |
| Maximum Rollback Angle - Fully Raised | a4 | 102.5 ° |
| Overall Height to Top of ROPS | h17 | 2103 mm |
| Overall length with bucket | l16 | 3658 mm |
| Overall Length without Bucket | l1 | 2814 mm |
| Specified Height | h31 | 1715 mm |
| Reach at Specified Height | r4 | 790 mm |
| Dump angle at specified height | a17 | 75 ° |
| Maximum Rollback Angle at Ground | a13 | 30 ° |
| Carry Position | d5 | 208 mm |
| Maximum Rollback Angle at Carry Position | a14 | 31.6 ° |
| Digging Position | h32 | 23 mm |
| Angle of Departure with STD Counterweight | | 30.4 ° |
| Ground clearance | m4 | 333 mm |
| Track gauge | b10 | 1313 mm |
| Track Shoe Width | b20 | 320 mm |
| Crawler base | y2 | 1392 mm |
| Overall width less bucket | b1 | 1636 mm |
| Bucket Width | e1 | 1674 mm |
| Clearance Radius - Front with Bucket | | 2322 mm |
| Clearance Circle - Rear | wa1 | 1577 mm |
| Maximum rollback at specified height | | 66.8 ° |
| Angle of Approach | | 90 ° |
| Grouser Height | | 25 mm |
| Track Type / Track Rollers / Roller Type | | Rubber / 4 / Steel |
| Performances | | |
| Ground Speed - Single Speed | | 8.5 km/h |
| Ground Speed - Two Speed | | 12.4 km/h |
| Drawbar Pull/Tractive Effort | | 4498 kg |
| Bucket Breakout - Tilt Cylinder | | 2429 kg |
| Bucket Breakout - Lift Cylinder | | 2275 kg |
| Engine | | |
| Engine brand | | Yanmar |
| Engine model | | 4TNV98C-NMSL |
| Motor Type | | Axial Piston with Planetary Gear Box Reduction |
| Gross Power (kW) / Gross Power | | 51.7 kW / 2500 rpm |
| Net Power (kW) / Net Power | | 51 kW / 2500 rpm |
| Max. torque | | 242.7 Nm |
| Battery | | 12 V |
| Cold Cranking Amps at Temperature (CCA) | | 850 A |
| Alternator - Voltage / Ampere | | 14 V / 95 A |
| Hydraulics | | |
| Standard flow - Auxiliary hydraulics | | 70 l/min |
| Tank capacities | | |
| Oil Pan Capacity | | 10.40 l |
| Hydraulic tank capacity | | 41.60 l |
| Fuel tank | | 91 l |
| Coolant system capacity | | 13.30 l |
| Displacement / Number of cylinders | | 3.30 l / 4 |
| Miscellaneous | | |
| Ground Pressure | | 0 Bar |

Dimensional drawing



Equipment

| | |
|--|----------|
| Lifting function | |
| All-Tach® Attachment Mounting System | Standard |
| Auxiliary Hydraulics | Standard |
| Electronic Attachment Control - 14-Pin Connector | Optional |
| High-Flow Auxiliary Hydraulics | Optional |
| IdealTrax™ Automatic Track Tensioning System | Standard |
| Power-A-Tach® Attachment Mounting System | Optional |
| Motorization/Power | |
| Combination Radiator & Hydraulic Oil Cooler | Standard |
| Dual-Element Air Cleaner with Indicator | Standard |
| Elevated Planetary Final Drives | Standard |
| Engine Auto-Shutdown System | Standard |
| Glowplugs Starts Assist | Standard |
| Two-Speed Hydrostatic Drive System | Standard |
| Operator station | |
| Air suspension seat | Optional |
| Electro-Hydraulic Joystick Controls | Standard |
| Full-Suspension Seat | Standard |
| IdealAccess™ Fold-Up Door | Optional |
| Multi-Function Display Screen | Standard |
| Pressurized Cab Enclosure with A/C | Optional |
| ROPS/FOPS Level II Overhead Guard | Standard |
| Selectable Control Pattern Configuration (ISO / Dual-Hand) | Optional |
| Variable Speed Control, Selectable On & Off | Optional |
| Other options | |
| Selectable Self-Leveling Hydraulic Lift Action 4 | Optional |
| Pneumatics | |
| Single Flange Front/Dual Flange Rear Idlers | Standard |
| Safety | |
| Anti-Vandalism Lock Provisions | Standard |
| Back-Up Alarm | Standard |
| Easy Manager | Standard |
| Engine Alert System with Error Display | Standard |
| Secondary functions | |
| Counterweight | Standard |



Siège Social
430 rue de l'Aubinière - 44150 Ancenis Cedex - France
Tel: +33(0)2 40 09 10 11 - Fax: +33 (0)2 40 09 10 97
www.manitou.com



This brochure describes versions and configuration options for Manitou products which may be fitted with different equipment. The equipment described in this brochure may be standard, optional or not available depending on version. Manitou reserves the right to change the specifications shown and described at any time and without prior warning. The manufacturer is not liable for the specifications given. For more information, contact your Manitou dealer. Non-contractual document. Product descriptions may differ from actual products. List of specifications is not comprehensive. The logos and visual identity of the company are the property of Manitou and may not be used without authorisation. All rights reserved. The photos and diagrams contained in this brochure are provided for information only.

MANITOU BF SA - Limited company with board of directors - Share capital: 39,668,399 euros - 857 802 508
RCS Nantes