



# Atomscope HF1202H X-Ray Unit



## Features

- High frequency portable medical x-ray unit
- Capable of all routine radiographic views
- Detailed images of the chest, abdomen, skull, spine and extremities are easily obtained with short exposure times.
- Compatible with all digital imaging modalities
- Dual laser pointer
- Optional package with HF1202H X-Ray Unit, Canon CXDI 701C Wireless DR Panel with Acquisition Software, Heavy Duty Mobile Stand with 40 cm wheels and Dell Notebook



For further information call  
1300 785 401 - Northern Branch  
1300 785 405 - Southern Branch  
Email: [info@dlc.com.au](mailto:info@dlc.com.au)  
[www.dlc.com.au](http://www.dlc.com.au)



## ATOMSCOPE HF1202H X-RAY UNIT

Atomscope HF1202H high frequency portable medical x-ray units offer the highest power to weight ratios available from any manufacturer. The HF1202H mounted on a mobile stand is a rugged and dependable x-ray system, capable of all routine radiographic views. Detailed images of chest, abdomen, skull, spine and extremities are easily obtained with short exposure times on ambulatory and non-ambulatory patients. The Atomscope HF1202H x-ray unit is compatible with all digital imaging modalities.

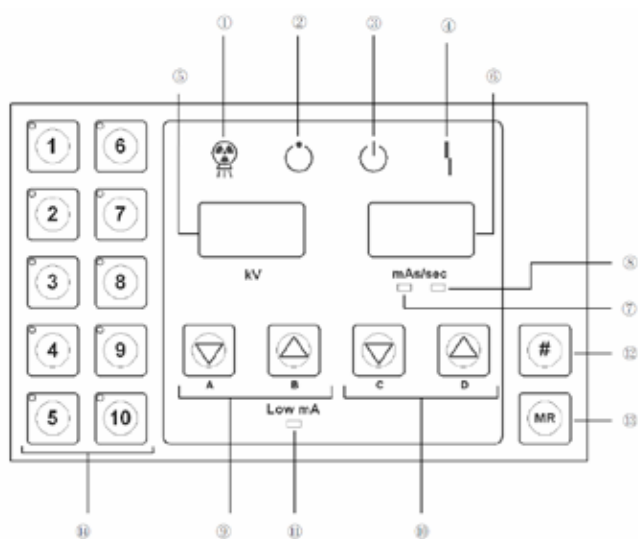
### mA Range

60mA(0.02~0.05sec), 45mA(0.06~0.2sec), 33mA(0.25~5.0sec) @40-60kV  
 55mA(0.02~0.05sec), 41.3mA(0.06~0.2sec), 30.3mA(0.25~5.0sec) @62-70kV  
 50mA(0.02~0.05sec), 37.5mA(0.06~0.2sec), 27.5mA(0.25~5.0sec) @72-80kV  
 45mA(0.02~0.05sec), 33.8mA(0.06~0.2sec), 24.8mA(0.25~5.0sec) @82-90kV  
 40mA(0.02~0.05sec), 30mA(0.06~0.2sec), 22mA(0.25~5.0sec) @92-100kV  
 30mA(0.02~0.05sec), 22.5mA(0.06~0.2sec), 16.5mA(0.25~5.0sec) @102-110kV  
 25mA(0.02~0.05sec), 18.8mA(0.06~0.2sec), 13.8mA(0.25~5.0sec) @112-120kV



Specifications	
<b>Manufacturer</b>	Mikasa Co., Ltd.
<b>Model</b>	XMK161 - HF1202H portable x-ray unit
<b>Max. output power</b>	4.05 kW
<b>Line voltage</b>	AC, single phase, 120-240V, 50/60 Hz
<b>Focal spot</b>	1.2 mm x 1.2 mm
<b>kV range</b>	40 kV-120 kV (2 kV step)
<b>Timer</b>	0.2 - 5.00 seconds
<b>Memory storage</b>	10 presets
<b>Size and weight</b>	568 x 298 x 233 mm (without skinguard) 19.5 kgs
<b>Accessories</b>	Power cord, hand-held exposure switch and cord

- 1) X-ray Indication
- 2) Ready Indication
- 3) Stand by Indication
- 4) Error Indication
- 5) kV value Indication
- 6) mAs/sec value Indication
- 7) mAs Indication
- 8) Seconds Indication
- 9) Increase and decrease of switch of kV (A, B)
- 10) Increase and decrease of switch of mAs/sec (C, D)
- 11) Low mA Indication
- 12) Shift key
- 13) Memory write key (MR)
- 14) Memory Recall key (1 - 10)



330007 ..... Atomscope HF1202H Medical X-Ray Unit

TGA Approved

For further information please call:

### SOUTHERN OFFICE:

PO Box 4438,  
 17-19 Horne St,  
 Hoppers Crossing, VIC, 3029

Phone: 03 9360 9700  
 Fax: 03 9360 9994  
 Toll Free: 1300 785 405  
 Email: info@dlc.com.au

### NORTHERN OFFICE:

PO Box 833,  
 Unit 6/1 Lear-Jet Dr,  
 Caboolture, QLD, 4510

Phone: 07 5428 3666  
 Fax: 07 5428 3777  
 Toll Free: 1300 785 405  
 Email: qld@dlc.com.au

