

# CHOCO-BOX



## TECHNICAL INFORMATION

- Professional melter completely in stainless steel.
- Various formats available with a capacity of 1.5 L up to 6 L.
- Removable trays with lids entirely in stainless steel.
- Manual temperature control from 0 to 60°C.



### THE CHOCOLATE PROFESSIONAL MELTER

Small or large melters for your laboratory, the Chocobox range offers a model for every need.

From the smallest with a capacity of 1.5L through 2.5L, 3.5L, up to 6 L capacity.

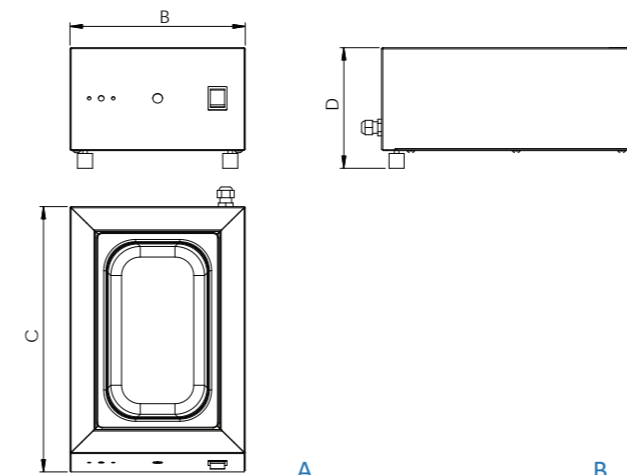
Melts and maintains the desired temperature up to a maximum of 60 degrees.

Stainless steel offers additional value to this product both from the point of view of longevity and in terms of heat conductivity.

Heating occurs by conduction thanks to an internal resistance that envelops the entire heating area.

The interchangeable trays will allow you to work with more versatility and make cleaning easier.

The trays are equipped with two handles and a lid, each melter is equipped with non-slip feet.



#### Included:

- 1 removable stainless steel tray
- 1 stainless steel lid / n. 1 stainless steel lid
- Temperature regulator: 0-60°

#### Accessories:

- Each additional tray is accessory

Model	Capacity (L)	Total Width (mm)	Total Depth (mm)	Total Height (mm)
Chocobox 1,5 L	1.5 L	230	240	180
Chocobox 2,5 L	2.5 L	230	350	180
Chocobox 3,5 L	3.5 L	245	410	180
Chocobox 6 L	6 L	330	410	180

One for every need

#### CHARACTERISTICS COMPARED

Chocobox: 5 stars  
Rating similar products: 4.0 stars

Body quality	★★★★★
Functionality	★★★★★
Technology	★★★★★
Affordability	★★★★★





Italian Gelato Concepts Pty Limited

Unit 1, 37 Mortimer Road  
Acacia Ridge Qld 4110

Bris Office: +61 (0) 7 3162 7724

Syd Office +61 (0) 2 8311 9701

Email: [info@italiangelato.com.au](mailto:info@italiangelato.com.au)

[www.italiangelato.com.au](http://www.italiangelato.com.au)



BILAIT S.R.L

VIA DELLA FERROVIA 60. 25085. GAVARDO (BRESCIA). ITALIA

+39 0365 224424. [Info@bilait.it](mailto:Info@bilait.it). [www.bilait.it](http://www.bilait.it)

P. VA/Vat number: 03878990989