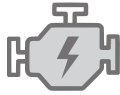


S SERIES

S40-55

CLARK[®]
THE FORKLIFT



**FORKLIFT TRUCK WITH DIESEL
OR LPG DRIVE**

S40SD / S45SD / S50D / S55D

S40SL / S45SL / S50L / S55L



Ergonomic operator's
compartment with plenty
of legroom

Great visibility through the
upright thanks to double
primary cylinders on all
uprights with free lift

Auto engaging electric
parking brake with rollback
protection on gradients and
ramps

Large unrestricted
entrance and exit

SMART ■ **STRONG** ■ **SAFE**



FORKLIFT TRUCK WITH DIESEL OR LPG DRIVE **S40-55**

S SERIES

The S40-55 series is the perfect choice for indoor and outdoor applications - outstanding handling performance with low operating costs

From light to heavy applications, the S-Series can be perfectly configured to your individual needs. The S40-55 Series offers high productivity, the ultimate combination of ergonomics and safety, and an excellent total cost of ownership.



Powerful Kubota engine

Powerful acceleration and reliable operation are ensured by high-performance engines from Kubota. The trucks are available in diesel or LPG version.



Ergonomic driver's seat with plenty of legroom

The ergonomic driver's workplace offers operators plenty of headroom and legroom. Intuitive controls and hydraulic power steering ensure intuitive operation and high safety during an application.





Safe entry and exit

The driver can reach their ergonomic workplace comfortably and safely via a large, low-set and non-slip step. The footwell is generously designed so that the driver has enough space even when wearing safety shoes.



Auto engaging electric parking brake with rollback protection on gradients and ramps

A safe ramp application is made possible by the automatic parking brake, which is fitted as standard.

This means that the operator always has the truck under control, as unintentional rolling backward is prevented.



Security and truck monitoring

The truck's 5" colour display can be used to programme an automatic engine shutdown when idling to save fuel. In addition, safety and warnings can be individually programmed. If a reversing camera is used, the image is transmitted to the colour display, so when the driver is reversing, they have an optimal view of any activity in their way



Great visibility through the mast thanks to double primary cylinders

All mast types with free lift are equipped with double primary cylinders. The driver therefore has a good view to the load and can work safe and productively.



Wet Disc Brakes

Maintenance-free wet disc brakes are fitted as standard. Due to the low wear of the brakes, the life of the forklift is extended, reducing operating costs.

FORKLIFT TRUCK WITH DIESEL OR LPG DRIVE **S40-55**

S SERIES



SMART ■ **STRONG** ■ **SAFE**

**Wide range of safety features as standard along with the highest quality and reliability.
SMART - STRONG - SAFE**

No matter what kind of application, your forklift truck should not only be reliable, but also offer advantages in terms of productivity and safety, as well as costs. The CLARK S-Series meets the demands of a wide range of applications perfectly. The series is characterised by a robust ergonomic design and is made for a reliable and powerful operation at low operating and maintenance costs. The S-Series offers you a smart solution for material handling needs that will inspire you. In short, this Series is SMART, STRONG and SAFE.

SMART Solutions

The S-Series offers many standard features that are a real benefit for your company including:

- >> Highly visible orange seat belt
- >> Smart interlock system to ensure proper start up sequence is followed prior to travel being allowed
- >> Load weight indicator informs the driver on the display the current weight on the forks
- >> Rear Blue LED warning light
- >> Audible, programmable reversing alarms and warnings
- >> Container-compatible overhead guards
- >> Power jack

■ **SMART** ■



FORKLIFT TRUCK WITH DIESEL OR LPG DRIVE **S40-55**

S SERIES



■ **STRONG** ■

CLARK Forklifts are “Built to Last”

Wet Disc Brake

- >> For up to 50% less operator effort/pressure in braking. This provides ergonomic benefit to regular operators
- >> Maintenance-free
- >> Strong braking effect even in wet or dusty environments

High residual load capacity

- >> Up to 5.5 tonnes with 600 mm load centre
- >> Low centre of gravity
- >> Available with dual tyres that ensure safe transportation of wide loads

Robust CLARK mast construction

- >> Nested mast profiles
- >> 6-roller fork carriage as standard

Stable steering axle

- >> Stable, vibration-free mounted steering axle

Transmission shift protection

- >> Function to reduce the effects of gearshifts when driving fast
- >> Prevents gearshifts (forward/ reverse) at high speeds

Extensive range of safety features

Numerous safety features as standard highlights the quality of the S-Series. Safety features will not only improve site safety but can positively contribute to productivity and reducing total cost of ownership.

Automatic parking brake

>> A manual or mechanical activation of the parking brake is not necessary. When leaving the parked forklift, the parking brake is activated automatically

>> When the brake is activated, driving against the brake is not possible

Rollback protection

>> Unintentional rolling away or back is prevented.

CLARK Vertical Mast System (VMS)

>> When the function is activated, the tilt function of the upright stops automatically in vertical position.

Load weight indication in the display

>> Informs the driver about the current load on the forks

>> Can be combined with other attachments

■ **SAFE** ■



FORKLIFT TRUCK WITH DIESEL OR LPG DRIVE **S40-55**

S SERIES

OPTIONAL EQUIPMENT

To adapt your truck to your individual working conditions the following options are available:



Driver's seats

The driver's seat is available with either mechanical suspension or air suspension.

Different versions with orange safety belt, side safety bars or armrests. (Seatbelt Interlock as standard in Australia).



Easy to handle hydraulic lever

As standard, hood mounted hydraulic levers are offered. With up to five hydraulic functions, the application of various attachments is possible.



Mini lever with armrest

Ergonomic mini-levers are available to control the hydraulic functions. On request, a drive direction switch can be integrated into the armrest.



Rear view camera

Increased safety thanks to a wide field of vision and a good mounting position on the back of the driver's cab.



Air conditioning

For more productivity on hot days. With good cooling performance, dehumidification and integrated cooling and heating function.



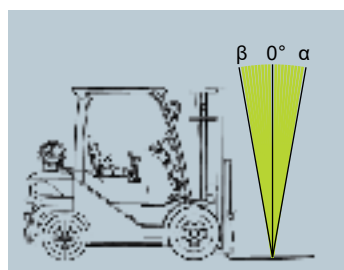
Storage compartment*

Available with 12 volt power connection or USB charging port.



Blue LED warning lights*

The blue LED warning lights provide a visual warning and are available both for forward and reverse positions.



CLARK VMS System* (Vertical Mast System)

By activating this function, the tilting process of the mast stops automatically in the vertical position when tilting forward or backward.



Load weight indication on the display*

Due to a tare function that can be activated by the driver, the load weight indication also works when using different attachments.



Adjustable maximum speeds

It makes sense to reduce the maximum possible driving speed, especially in areas where there is a lack of visibility or where space is confined. The reduction of the driving speed can be adjusted according to the specific situation.



Direction switch on the hydraulic lever

By changing the travel direction on the hydraulic lever, the driver is less stressed, as it is not necessary anymore to change the travel direction at the steering column.

*Features as standard in Australia

Optional operator's cabin: From rain protection to a fully featured cab with air conditioning

To ensure that you get the right solution for your application, the following cabins are offered:

- >> **Rain protection (roof only)**
- >> **Weather protection (roof and windscreen)**

With the completely equipped full cab, the two-piece driver's doors can be opened by 180° and fixed to the truck frame. This makes it possible to drive with open doors, for example during the summer. A heated rear window is another standard feature. The easily accessible storage compartments, as well as a Bluetooth radio, completes the features of our full cabins.

- >> **Partial cabin (roof, front and rear window)**
- >> **Completely equipped full cabin**

For applications in 20-foot standard containers reduced overhead guard heights with container-compatible dimensions are available. Talk to your CLARK representative to find the right solution for you.

The optional fully-featured driver's cabs include the following equipment:

- Heating with proportional controllable heating valve
- Two-piece side doors
- Sliding window
- Bluetooth radio with USB connection
- Front and rear wiper
- Heated rear window
- Cup holder
- Storage box
- Note holder



FORKLIFT TRUCK WITH DIESEL OR LPG DRIVE **S40-55**

S SERIES

Fork Positioners

Our fork positioners increase the efficiency and flexibility of the S-Series.

More handling capacity can be achieved especially when the load widths to be transported are changing frequently.

CLARK fork positioners have a separate sideshift and are available in different frame widths.



Dual or twin tyres

The S-Series can be equipped with dual tyres on the drive axle to improve traction and stability when cornering.

This is particularly useful when transporting very wide loads. Depending on the condition of the ground, dual tyres can also be advantageous for outdoor use in winter.





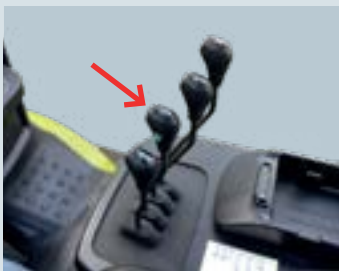
**CLARK VMS System
(Vertical Mast System)**

By activating this function, the tilting process of the mast stops automatically in the vertical position when tilting forward or backward.

This function can be used with the mechanical hydraulic levers as well as with mini levers.



VMS activation switch on the mini lever



VMS activation switch on the mechanical hydraulic lever



Load capacity:
max. 5500 kg
with 600 mm LC



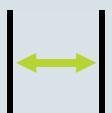
Lifting height:
max. 7000 mm



Driving speed:
max. 22.5 km/h Diesel
max. 18.7 km/h LPG



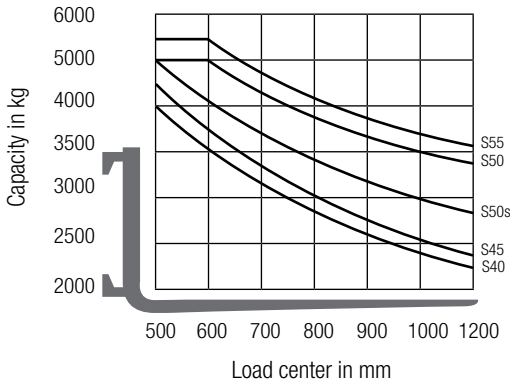
Power drive motor:
Diesel: 55.4 kW
LPG: 63.6 kW



Working aisle width:
from 4499 mm

GENERAL DATA

Truck Capacities Capacity at different load centres



Note:

The listed capacities are valid only for the standard upright in vertical position with standard fork carriage and standard forks, up to max. lifting height of 3300 mm. The centre of gravity of the load may be displaced by max. 100 mm against the longitudinal centre plane of the truck. Load centre is determined from top and front face of the forks. The values are based on a 1000 mm cube load configuration with the centre of gravity at the true centre of the cube. With upright tilted forward lower capacity values are valid. Attachments, longer forks, exceptional load dimensions and higher lifting heights can reduce the capacity.

Please talk to your CLARK dealer if you require further information.

Upright table S40s/45s

Mast type	Maximum Fork Height (h3)	Mast Lowered (h1)*	Mast Extended (h4)		Free Lift (h2)	
			with load backrest	without load backrest	with load backrest*	without load backrest
	mm	mm	mm	mm	mm	mm
Standard	3000	2234/2207	4252	3769	156	156
	3300	2384/2357	4520	4037		
	3500	2484/2457	4720	4237		
	3700	2584/2557	4920	4437		
	4000	2734/2707	5220	4737		
	4500	2984/2957	5720	5237		
5000	3234/3207	6220	5737			
Triplex	3700	2016/1989	4920	4437	796/769	1279/1252
	4000	2116/2089	5220	4737	896/869	1379/1352
	4300	2216/2189	5520	5037	996/969	1479/1452
	4500	2283/2256	5720	5237	1063/1036	1546/1519
	4800	2383/2356	6020	5537	1163/1136	1646/1619
	5000	2450/2423	6220	5737	1230/1203	1713/1686
	5500	2617/2590	6720	6237	1397/1370	1880/1853
	6000	2784/2757	7220	6737	1564/1537	2047/2020
	6500	2951/2924	7720	7237	1731/1704	2214/2187
7000	3118/3091	8220	7737	1898/1871	2381/2354	
HI-LO	2700	2133/2106	3920	3437	913/886	1396/1369
	3000	2283/2256	4220	3737	1063/1036	1546/1519
	3300	2433/2406	4520	4037	1213/1186	1696/1669

* Single / Dual Tyre

Upright table S50s

Mast type	Maximum Fork Height (h3)	Mast Lowered (h1)*	Mast Extended (h4)		Free Lift (h2)	
			with load backrest	without load backrest	with load backrest*	without load backrest*
	mm	mm	mm	mm	mm	mm
Standard	3000	2234/2207	4252	3962	156	156
	3300	2384/2357	4520	4037		
	3500	2484/2457	4720	4237		
	3700	2584/2557	4920	4437		
	4000	2734/2707	5220	4737		
	4500	2984/2957	5720	5237		
5000	3234/3207	6220	5737			
Triplex	3700	2016/1989	4920	4437	796/769	1086/1059
	4000	2116/2089	5220	4737	896/869	1186/1159
	4300	2216/2189	5520	5037	996/969	1286/1259
	4500	2283/2256	5720	5237	1063/1036	1353/1326
	4800	2383/2356	6020	5537	1163/1136	1453/1426
	5000	2450/2423	6220	5737	1230/1203	1520/1493
	5500	2617/2590	6720	6237	1397/1370	1687/1660
	6000	2784/2757	7220	6737	1564/1537	1854/1827
	6500	2951/2924	7720	7237	1731/1704	2021/1994
7000	3118/3091	8220	7737	1898/1871	2188/2161	
HI-LO	2700	2133/2106	3920	3437	913/886	1203/1176
	3000	2283/2256	4220	3737	1063/1036	1353/1326
	3300	2433/2406	4520	4037	1213/1186	1503/1476

* Single / Dual Tyre

Upright table S50/55

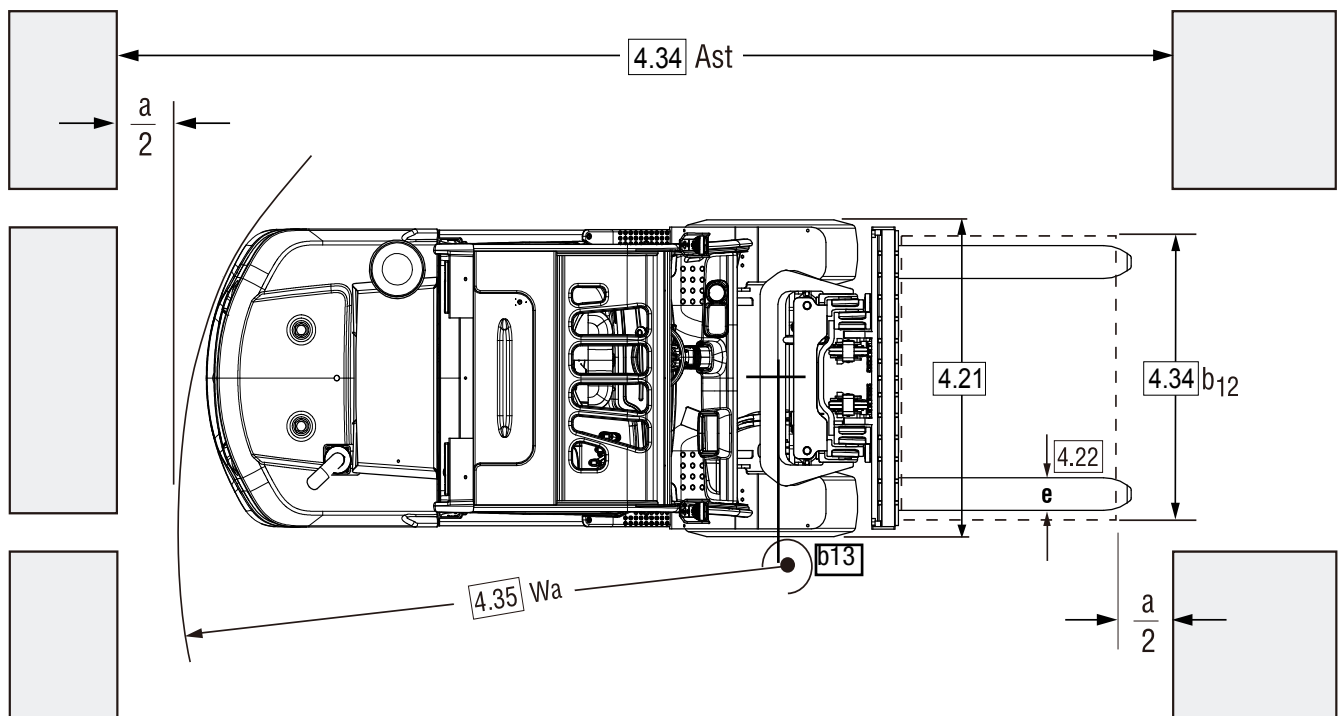
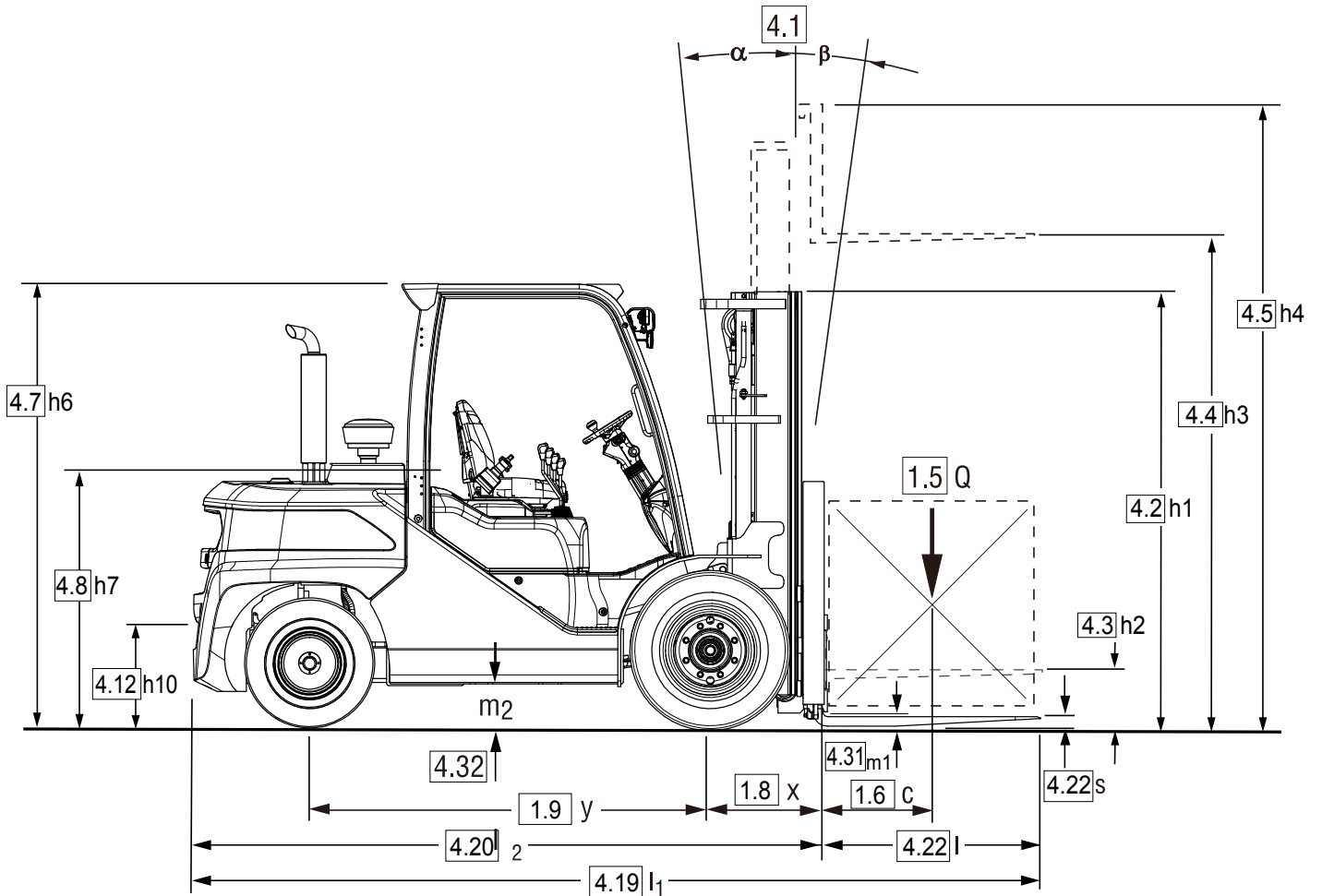
Mast type	Maximum Fork Height (h3)	Mast Lowered (h1)*	Mast Extended (h4)		Free Lift (h2)	
			with load backrest	without load backrest	with load backrest*	without load backrest*
	mm	mm	mm	mm	mm	mm
Standard	2800	2242/2207	4062	3772	166	166
	3100	2392/2357	4320	4030		
	3300	2492/2457	4520	4230		
	3500	2592/2557	4720	4430		
	3800	2742/2707	5020	4730		
	4300	2992/2957	5520	5230		
4800	3242/3207	6020	5730			
Triplex	3800	2124/2089	5020	4730	904/869	1194/1159
	4100	2224/2189	5320	5030	1004/969	1294/1259
	4300	2291/2256	5520	5230	1071/1036	1361/1326
	4600	2391/2356	5820	5530	1171/1136	1461/1426
	4800	2458/2423	6020	5730	1238/1203	1528/1493
	5300	2625/2590	6520	6230	1405/1370	1695/1660
	5800	2792/2757	7020	6730	1572/1537	1862/1827
	6300	2959/2924	7520	7230	1739/1704	2029/1994
	6800	3126/3091	8020	7730	1906/1871	2196/2161
HI-LO	2600	2141/2106	3820	3530	921/886	1211/1176
	2900	2291/2256	4120	3830	1071/1036	1361/1326
	3200	2441/2406	4420	4130	1231/1186	1511/1476

* Single / Dual Tyre

Performance may vary + 5 % and - 10 % due to motor and system efficiency tolerance. The performance shown represents nominal values which may be obtained under typical operating conditions of a machine. CLARK products and specifications are subject to change without notice.

DIMENSIONS

S40s/45s/50s/50/55



For corresponding data see specification chart. $a = 200 \text{ mm}$
 $Ast = Wa + x + l6 + a$
 applies only if $b12/2 < b13$

SPECIFICATIONS

Product Specifications acc. to VDI 2198

1.1 Manufacturer (Abbreviation)		CLARK	CLARK	CLARK	CLARK	CLARK
Specifications	1.2 Manufacturer's designation	S40sD	S45sD	S50sD	S50D	S55D
	1.3 Drive unit Diesel, LPG	Diesel	Diesel	Diesel	Diesel	Diesel
	1.4 Operator type stand on / driver seated	Driver Seated	Driver Seated	Driver Seated	Driver Seated	Driver Seated
	1.5 Load capacity / rated load Q (kg)	4000	4500	4990	5000	5500
	1.6 Load centre distance c (mm)	500	500	500	600	600
	1.8 Load centre distance, centre of drive axle to fork face x (mm)	563	563	568	578	578
	1.9 Wheelbase y (mm)	1950	1950	2100	2100	2100
	Weight	2.1 Service weight *5 kg	5898 (6039)	6275 (6416)	6747 (6872)	7171 (7277)
2.2 Axle loading, laden front / rear *5 kg		8803/1094 (8955/1084)	9501/1274 (9652/1264)	10535/1212 (10696/1176)	10716/1455 (10835/1442)	11397/1477 (11515/1465)
2.3 Axle loading, unladen front / rear *5 kg		2623/3275 (2774/3265)	2548/3728 (2699/3717)	2992/3755 (3129/3743)	2912/4259 (3030/4247)	2812/4562 (2930/4550)
Tyres, Chassis	3.1 Tyre type, P = pneumatic, SE = superelastic *1	P	P	P	P	P
	3.2 Tyre size, front *5	8.25 X 15 - 14 PR	8.25 X 15 - 16 PR	300 X 15 - 18 PR	300 X 15 - 18 PR	300 X 15 - 20 PR
	3.3 Tyre size, rear	7.00 X 12 - 14 PR	7.00 X 12 - 14 PR	7.00 X 12 - 14 PR	7.00 X 12 - 14 PR	7.00 X 12 - 14 PR
	3.5 Wheels, number front/rear (x = drive wheels) *5	2 (4) / 2	2 (4) / 2	2 (4) / 2	2 (4) / 2	2 (4) / 2
	3.6 Tread, front *5 b10 (mm)	1145 (1314)	1145 (1314)	1152 (1314)	1152 (1314)	1152 (1314)
	3.7 Tread, rear b11 (mm)	1134	1134	1134	1134	1134
	Dimensions	4.1 Tilt of upright/fork carriage, α / β Grad	10 / 8	10 / 8	10 / 8	10 / 8
4.2 Height, upright lowered *5 h1 (mm)		2234 (2207)	2234 (2207)	2234 (2207)	2242 (2207)	2242 (2207)
4.3 Freelift h2 (mm)		156	156	156	166	166
4.4 Lift height *2 h3 (mm)		3300	3300	3300	3300	3300
4.5 Height, upright extended (with LBR) h4 (mm)		4552	4552	4552	4552	4552
4.7 Height overheadguard Std /cabin *5 h6 (mm)		2313 / 2313 (2303 / 2303)	2313 / 2313 (2303 / 2303)	2313 / 2313 (2303 / 2303)	2313 / 2313 (2303 / 2303)	2311 / 2313 (2299 / 2299)
4.8 Seat height h7 (mm)		1270	1270	1270	1270	1268
4.12 Coupling height h10 (mm)		460	460	460	460	460
4.19 Overall length l1 (mm)		4097	4148	4441	4505	4555
4.20 Length to face of forks l2 (mm)		3027	3078	3221	3285	3335
4.21 Width *5 b1, b2 (mm)		1380 (1730)	1380 (1730)	1380 (1730)	1380 (1730)	1380 (1730)
4.22 Fork dimensions s • e • l (mm)		50 x 122 x 1070	50 x 122 x 1070	50 x 150 x 1220	60 x 150 x 1220	60 x 150 x 1220
4.23 Fork carriage DIN 15173, A, B		Class III A	Class III A	Class III A	Class IV A	Class IV A
4.24 Fork carriage width *5 b3 (mm)		1348 (1678)	1348 (1678)	1348 (1678)	1348 (1678)	1348 (1678)
4.31 Ground clearance minimum *5 m1 (mm)		169 (142)	169 (142)	169 (142)	169 (142)	169 (142)
4.32 Ground clearance centre of wheelbase *5 m2 (mm)		215 (189)	215 (189)	215 (189)	215 (189)	215 (189)
4.33 Aisle width for pallets (6-b12) 1000 x 1200 crossways Ast (mm)	4499	4549	4645	4719	4780	
4.34 Aisle width for pallets (6-b12) 800 x 1200 lengthways Ast (mm)	4699	4749	4845	4919	4980	
4.35 Turning radius Wa (mm)	2471	2471	2614	2614	2614	
4.36 Internal turning radius b13 (mm)	874	874	905	905	905	
Performances	5.1 Travel speed laden/unladen *5 km/h	22.0 / 21.0 (22.0 / 21.0)	21.5 / 22.5 (21.5 / 22.5)	21.5 / 22.5 (21.5 / 22.5)	21.5 / 22.5 (21.5 / 22.5)	21.5 / 22.5 (21.5 / 22.5)
	5.2 Lift speed laden/unladen m/s	0.55 / 0.57 (0.55 / 0.57)	0.55 / 0.57 (0.55 / 0.57)	0.55 / 0.57 (0.55 / 0.57)	0.50 / 0.57 (0.50 / 0.57)	0.48 / 0.57 (0.48 / 0.57)
	5.3 Lowering speed laden/unladen m/s	0.50 / 0.47	0.50 / 0.47	0.50 / 0.47	0.50 / 0.47	0.50 / 0.47
	5.6 Max. drawbar pull laden/unladen *3 N	37.278 / 22.680	36.297 / 21.984	36.100 / 21.876	36.100 / 21.876	35.512 / 25.251
	5.8 Max. gradeability laden/unladen *3 *5 %	35.0 / 28.6 (36.5 / 28.6)	32.4 / 25.7 (35.1 / 25.7)	32.0 / 25.5 (35.0 / 25.5)	32.0 / 25.5 (35.0 / 25.5)	28.7 / 25.3 (31.1 / 25.3)
	5.9 Acceleration time laden/unladen (0 - 15 m) s	-	-	-	-	-
5.10 Service brake	Wet disc brake	Wet disc brake	Wet disc brake	Wet disc brake	Wet disc brake	
Engine	7.1 Manufacturer / Type *6	Kubota / V3800DICR-TE2B	Kubota / V3800DICR-TE2B	Kubota / V3800DICR-TE2B	Kubota / V3800DICR-TE2B	Kubota / V3800DICR-TE2B
	7.2 Rated output acc. To ISO 1585 kW	68.6	68.6	68.6	68.6	68.6
	7.3 Rated speed min-1	2400	2400	2400	2400	2400
	7.4 No. of cylinders / displacement /cm ³	4 / 3.8	4 / 3.8	4 / 3.8	4 / 3.8	4 / 3.8
	7.5 Fuel consumption acc. VDI-Cyclus Diesel = l/h. Gas = kg/h	-	-	-	-	-
Misc.	8.1 Type of drive control	hydrodynamic	hydrodynamic	hydrodynamic	hydrodynamic	hydrodynamic
	8.2 Operating pressure for attachments *7 bar	Adjustable	Adjustable	Adjustable	Adjustable	Adjustable
	8.3 Oil volume for attachments l/min	max. 35	max. 35	max. 35	max. 35	max. 35
	8.4 Sound level, driver's ear *4 dB (A)	83	83	83	83	83
	8.5 Towing coupling, class/type DIN	PIN	PIN	PIN	PIN	PIN

*1 Optional with super-elastic tyres *2 Futher lift heights see upright table *3 with 1.6 km/h Without load at friction coefficient $\mu=0.8$ *4 Equivalent permanent sound-pressure level L_{pAeq, T} in accordance with DIN EN 12053 (previously DIN 45635-36) *5 Values for Wide or Dual Tyre (Option) *6 Diesel = Stage 2 / LPG= Stage 0 *7 Max. 140 bar

All values shown are for standard lift truck with standard equipment. If the truck is supplied with options, values may change.

All values given may vary + 5 % and - 10 % due the motor and system tolerances and represent nominal values obtained under typical operating conditions.

SPECIFICATIONS

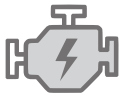
Product Specifications acc. to VDI 2198

1.1 Manufacturer (Abbreviation)		CLARK	CLARK	CLARK	CLARK	CLARK
Specifications	1.2 Manufacturer's designation	S40sL	S45sL	S50sL	S50L	S55L
	1.3 Drive unit Diesel, LPG	LPG	LPG	LPG	LPG	LPG
	1.4 Operator type stand on / driver seated	Driver Seated	Driver Seated	Driver Seated	Driver Seated	Driver Seated
	1.5 Load capacity / rated load Q (kg)	4000	4500	4990	5000	5500
	1.6 Load centre distance c (mm)	500	500	500	600	600
	1.8 Load centre distance, centre of drive axle to fork face x (mm)	563	563	568	578	578
	1.9 Wheelbase y (mm)	1950	1950	2100	2100	2100
Weight	2.1 Service weight *5 kg	5839 (5980)	6216 (6357)	6672 (6797)	7096 (7202)	7299 (7405)
	2.2 Axle loading, laden front / rear *5 kg	8742/1097 (8893/1086)	9439/1277 (9591/1266)	10464/1208 (10625/1172)	10645/1451 (10764/1438)	11326/1473 (11444/1461)
	2.3 Axle loading, unladen front / rear *5 kg	2561/3277 (2713/3267)	2486/3730 (2638/3720)	2921/3751 (3058/3739)	2841/4256 (2959/4243)	2841/4568 (2859/4546)
Tyres, Chassis	3.1 Tyre type, P = pneumatic, SE = superelastic *1	P	P	P	P	P
	3.2 Tyre size, front *5	8.25 X 15 - 14 PR	8.25 X 15 - 16 PR	300 X 15 - 18 PR	300 X 15 - 18 PR	300 X 15 - 20 PR
	3.3 Tyre size, rear	7.00 X 12 - 14 PR	7.00 X 12 - 14 PR	7.00 X 12 - 14 PR	7.00 X 12 - 14 PR	7.00 X 12 - 14 PR
	3.5 Wheels, number front/rear (x = drive wheels) *5	2 (4) / 2	2 (4) / 2	2 (4) / 2	2 (4) / 2	2 (4) / 2
	3.6 Tread, front *5 b10 (mm)	1145 (1314)	1145 (1314)	1152 (1314)	1152 (1314)	1152 (1314)
	3.7 Tread, rear b11 (mm)	1134	1134	1134	1134	1134
	Dimensions	4.1 Tilt of upright/fork carriage, α / β Grad	10 / 8	10 / 8	10 / 8	10 / 8
4.2 Height, upright lowered *5 h1 (mm)		2234 (2207)	2234 (2207)	2234 (2207)	2242 (2207)	2242 (2207)
4.3 Freelift h2 (mm)		156	156	156	166	166
4.4 Lift height *2 h3 (mm)		3300	3300	3300	3300	3300
4.5 Height, upright extended (with LBR) h4 (mm)		4552	4552	4552	4552	4552
4.7 Height overheadguard Std /cabin *5 h6 (mm)		2313 / 2313 (2303 / 2303)	2313 / 2313 (2303 / 2303)	2313 / 2313 (2303 / 2303)	2311 / 2313 (2299 / 2299)	2330 (2300)
4.8 Seat height h7 (mm)		1270	1270	1270	1270	1268
4.12 Coupling height h10 (mm)		460	460	460	460	460
4.19 Overall length l1 (mm)		4097	4148	4441	4505	4555
4.20 Length to face of forks l2 (mm)		3027	3078	3221	3285	3335
4.21 Width *5 b1, b2 (mm)		1380 (1730)	1380 (1730)	1380 (1730)	1380 (1730)	1380 (1730)
4.22 Fork dimensions s • e • l (mm)		50 x 122 x 1070	50 x 122 x 1070	50 x 150 x 1220	60 x 150 x 1220	60 x 150 x 1220
4.23 Fork carriage DIN 15173, A, B		Class III A	Class III A	Class III A	Class IV A	Class IV A
4.24 Fork carriage width *5 b3 (mm)		1348 (1678)	1348 (1678)	1348 (1678)	1348 (1678)	1348 (1678)
4.31 Ground clearance minimum *5 m1 (mm)		169 (142)	169 (142)	169 (142)	169 (142)	169 (142)
4.32 Ground clearance centre of wheelbase *5 m2 (mm)		215 (189)	215 (189)	215 (189)	215 (189)	215 (189)
4.33 Aisle width for pallets (6-b12) 1000 x 1200 crosswaysAst (mm)	4499	4549	4645	4719	4780	
4.34 Aisle width for pallets (6-b12) 800 x 1200 lengthwaysAst (mm)	4699	4749	4845	4919	4980	
4.35 Turning radius Wa (mm)	2471	2471	2614	2614	2614	
4.36 Internal turning radius b13 (mm)	874	874	905	905	905	
Performances	5.1 Travel speed laden/unladen *5 km/h	20.2/21.5 (20.2/21.5)	19.5/21.0 (19.5/21.0)	19.0/20.2 (19.0/20.2)	19.0/20.2 (19.0/20.2)	19.0/20.2 (19.0/20.2)
	5.2 Lift speed laden/unladen m/s	0.44/0.47 (0.44/0.47)	0.44/0.47 (0.44/0.47)	0.44/0.47 (0.44/0.47)	0.44/0.47 (0.44/0.47)	0.44/0.47 (0.44/0.47)
	5.3 Lowering speed laden/unladen m/s	0.50 / 0.47	0.50 / 0.47	0.50 / 0.47	0.50 / 0.47	0.50 / 0.47
	5.6 Max. drawbar pull laden/unladen *3 N	36.591 / 27.762	36.101 / 26.977	35.365 / 27.203	35.365 / 27.203	35.610 / 28.282
	5.8 Max. gradeability laden/unladen *3 *5 %	37.0/32.0 (38.5/32.0)	35.0/30.0 (37.4/30.0)	26.0/22.0 (26.0/22.0)	26.0/22.0 (26.0/22.0)	26.0/20.0 (26.5 / 20.0)
	5.9 Acceleration time laden/unladen (0 - 15 m) s	-	-	-	-	-
5.10 Service brake	Wet disc brake	Wet disc brake	Wet disc brake	Wet disc brake	Wet disc brake	
Engine	7.1 Manufacturer / Type *6	Kubota/WG3800-L-C	Kubota/WG3800-L-C	Kubota/WG3800-L-C	Kubota/WG3800-L-C	Kubota/WG3800-L-C
	7.2 Rated output acc. To ISO 1585 kW	63.6	63.6	63.6	63.6	63.6
	7.3 Rated speed min-1	2200	2200	2200	2200	2200
	7.4 No. of cylinders / displacement /cm ³	4 / 3.8	4 / 3.8	4 / 3.8	4 / 3.8	4 / 3.8
	7.5 Fuel consumption acc. VDI-Cyclus Diesel = l/h, Gas = kg/h	-	-	-	-	-
Misc.	8.1 Type of drive control	hydrodynamic	hydrodynamic	hydrodynamic	hydrodynamic	hydrodynamic
	8.2 Operating pressure for attachments *7 bar	Adjustable	Adjustable	Adjustable	Adjustable	Adjustable
	8.3 Oil volume for attachments l/min	max. 35	max. 35	max. 35	max. 35	max. 35
	8.4 Sound level, driver's ear *4 dB (A)	83	83	83	83	83
	8.5 Towing coupling, class/type DIN	PIN	PIN	PIN	PIN	PIN

*1 Optional with super-elastic tyres *2 Futher lift heights see upright table *3 with 1.6 km/h Without load at friction coefficient $\mu=0.8$ *4 Equivalent permanent sound-pressure level L pAeq, T in accordance with DIN EN 12053 (previously DIN 45635-36) *5 Values for Wide or Dual Tyre (Option) *6 Diesel = Stage 2 / LPG= Stage 0 *7 Max. 140 bar

All values shown are for standard lift truck with standard equipment. If the truck is supplied with options, values may change.

All values given may vary + 5 % and - 10 % due the motor and system tolerances and represent nominal values obtained under typical operating conditions.



FORKLIFT TRUCK WITH DIESEL OR LPG DRIVE

S40SD / S45SD / S50D / S55D
S40SL / S45SL / S50L / S55L

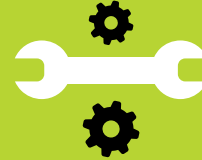


S SERIES



GLOBAL PRESENCE

CLARK products are in operation all around the world.



RELIABLE SPARE PARTS SERVICE

CLARK has parts warehouses in USA, South Korea, Brazil, China, Australia, Germany and Vietnam.



COMPREHENSIVE DEALER NETWORK

Over 550 sales & distribution partners in more than 90 countries ensure a high level of availability of our products and services.



EXCELLENT QUALITY

CLARK is the forerunner in high-quality standards and innovative product developments.



CLARK International South Pacific
30 Salisbury Road
Hornsby, NSW 2077 Australia
Tel: 1800 005 747
Website: www.clarkforklifts.com.au

CLARK International Singapore
2 Venture Drive, Vision Exchange
Singapore, 608526
Tel: 65 6863 4083
Website: www.clarkisp.com.au