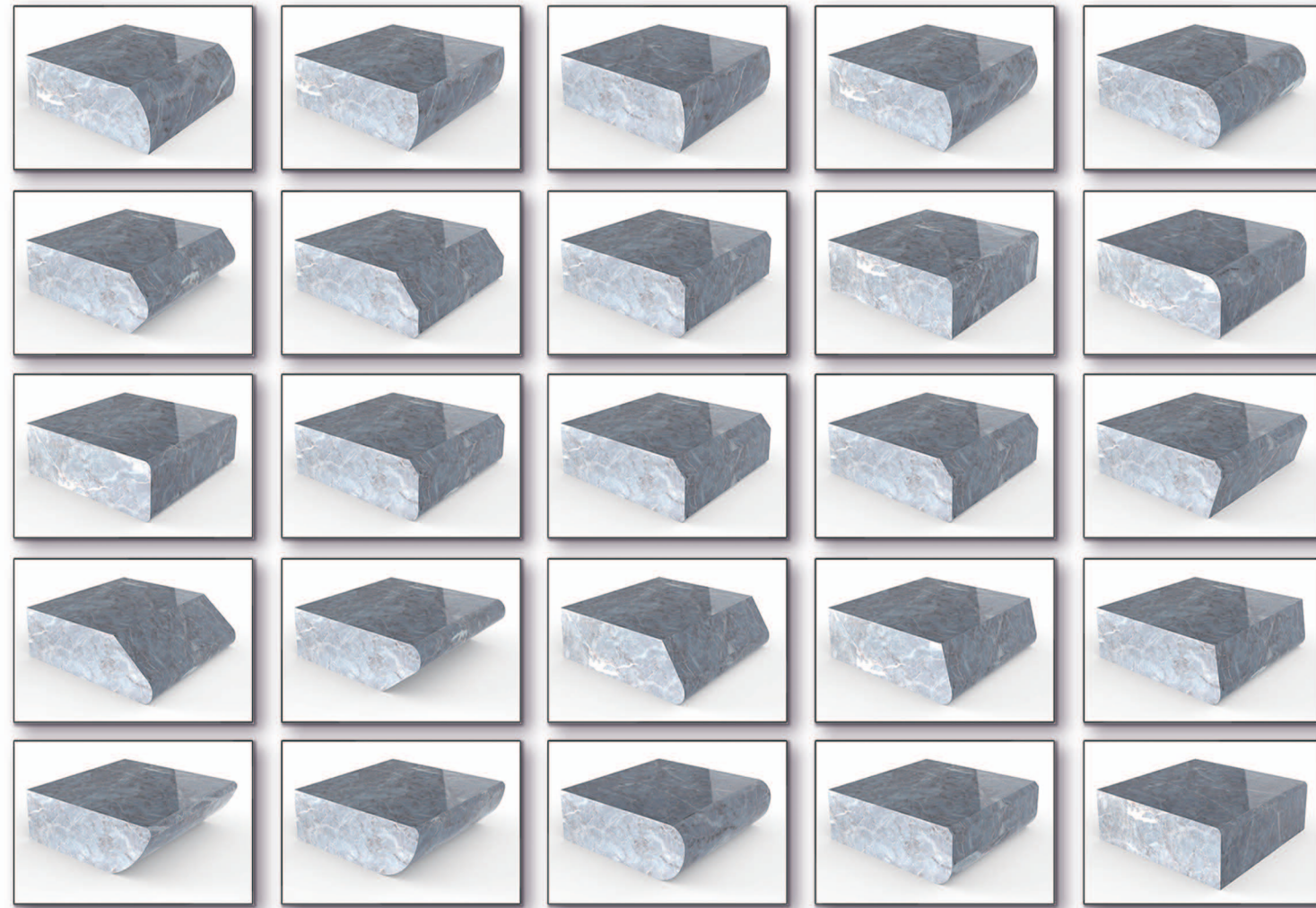


Edge examples



AitalMAC



Technical data

Min. Polish wheel diameter	mm	95	in	3.74
Max. Working length	mm	3500	in	138
Max. Working thickness	mm	80	in	3.15
Tool change positions	number	10	number	10
Motor speed	rpm	0/3500	rpm	0/3500
Max. speed	m/min	0-75	in/min	0-3000
Overall Dimension (L/W/H)	mm	5800*2600*2000	in	228*102*78.8
Total Weight	kg	2200	lbs	4850
Water consumption	l/min	10-20	gas/min	2.6-5.2
Water pressure required	bar	1.5-2	bar	1.5-2
Compressed air required	l/min	10	gas/min	2.6
Air pressure required	bar	6	bar	6
Max. Install Power	kw	16	kw	16

Resaler:

-  AitalMac CO.,LTD
-  008625-57311800
-  008625-57889845
-  <http://www.aitalmac.com>
-  001 Hengsheng Road, Gaochun EDZ, Nanjing, China

EPR 2017

EDGE POLISHER ROBOT MODEL EPR 2017

AitalMAC co.,ltd
www.aitalmac.com

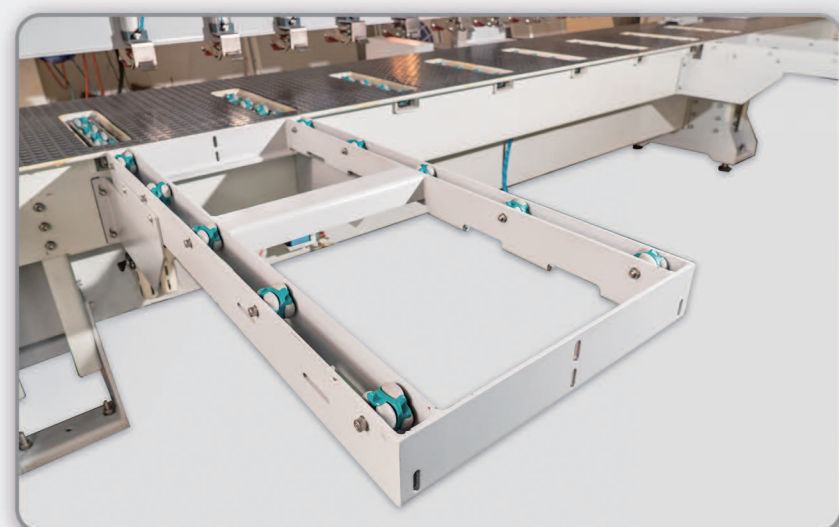




One long stopper is mounted on the bridge. This stopper allows the operator to align the stone to allow precise edge shaping.



The software allows the operator to use the machine and set up new programs. The machine is able to save programs and run them when needed.

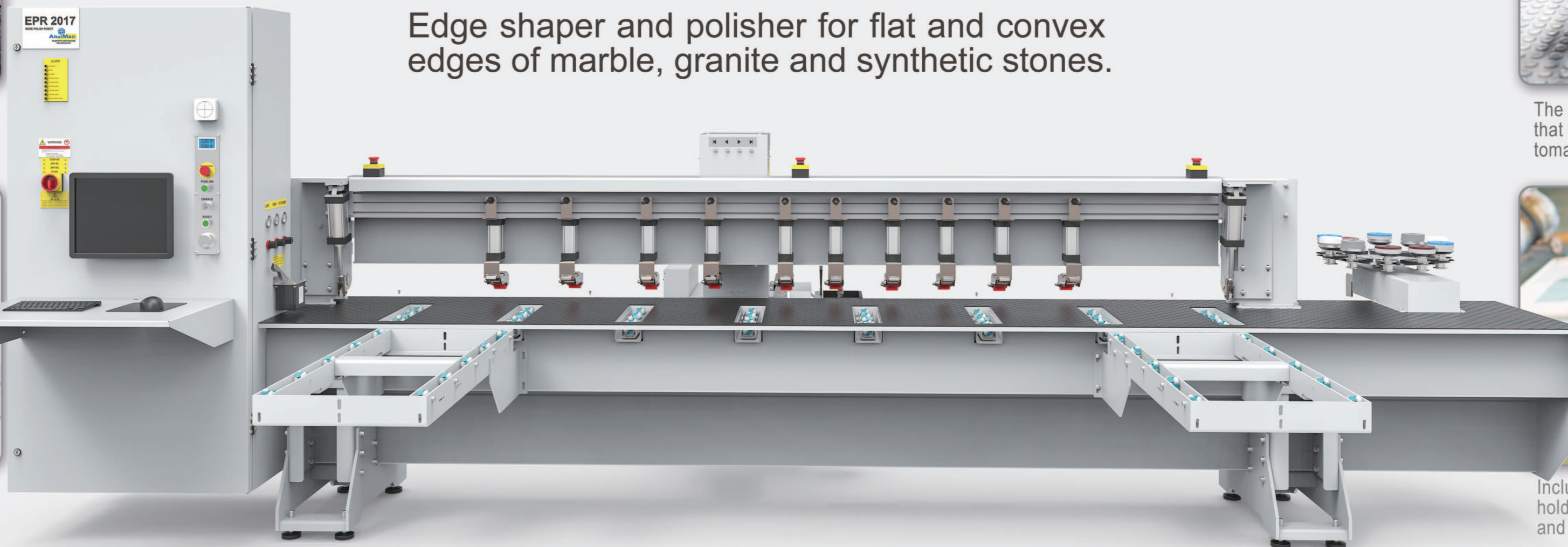


This holder supports longer stone pieces, preventing them from breaking or cracking. The size of the supplementary holder is 600mm x 1100mm.

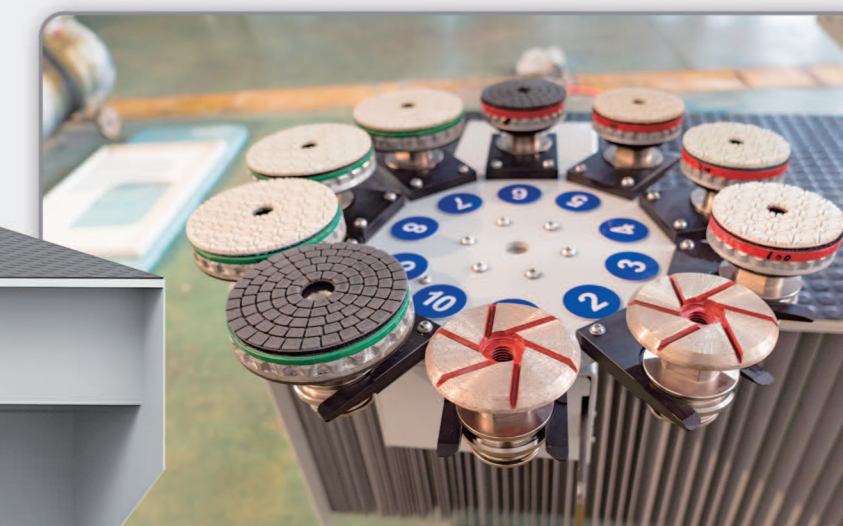
EPR 2017

EDGE POLISHER ROBOT MODEL EPR 2017

Edge shaper and polisher for flat and convex edges of marble, granite and synthetic stones.



The machine is supplied with a tool presetting system that can measure the thickness of the grinding tool automatically.



Included in the machine is a tool carousel with 10 tool holders. The carousel is designed for fast tool change and it can spin 360°, locked and released easily.

This machine can carry out all the operations needed for the shaping and polishing of flat and rounded edges. The EPR2017 is a fine combination of mechanical, electrical and software engineering. It can shape and polish convex edges on the stone using flat polishing tools; the machine has the fastest patented automatic tool change in the market. It has a patented motor that can retract and extend its shaft pneumatically, and uses different pressures to adjust the work load of tools on the stone. It can be programmed in any angle and position on your edge to achieve incredible quality results. The head moves back and forth at a maximum speed of 100m/min, this allows the machine to achieve a medium-high production rate with remarkable quality, keeping reasonable costs of production and maintenance.



10 pneumatic fixtures to hold the stone in position are included in the machine; they can be moved manually according to the position of the stone, and they are locked and released easily.