

# MINI-CONCEPT ROTI-ROASTER

## 8.720iF2LSP8

### ROTI-ROASTER MINI-CONCEPT

Mini rotisserie concept to save space, energy

**The mini rotisserie : Optimisation of a space with a self-service display**, 2 presentation levels in stainless steel inclined at 10°, with digital display and electronic temperature control, mounted on adjustable feet or casters with brakes.

**Topped by a programmable roaster convection Roti-Roaster** with baskets or chicken spits, electronic programming time and temperature with digital display and alarm after cooking cycle and then maintaining the temperature at 63 ° C with a program of pre-cooking, six cooking programs with security convex glass and double glass on service side.

### Digital Display with programming of cooking parameters (time and temperature)

Pre heat program

6 cooking program

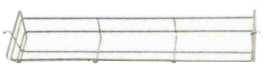





Controls on front or rear of the Roti-Roaster



8.720iF2LSP8

### ACCESSORIES

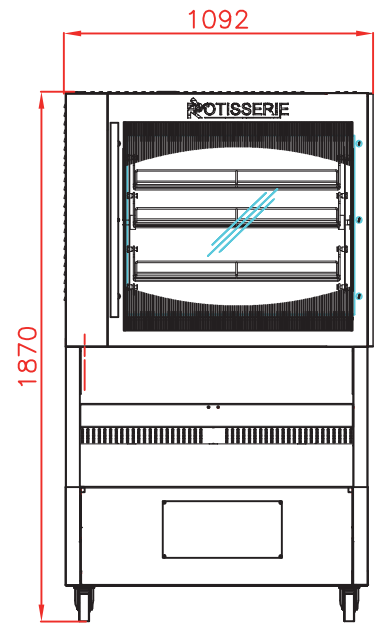
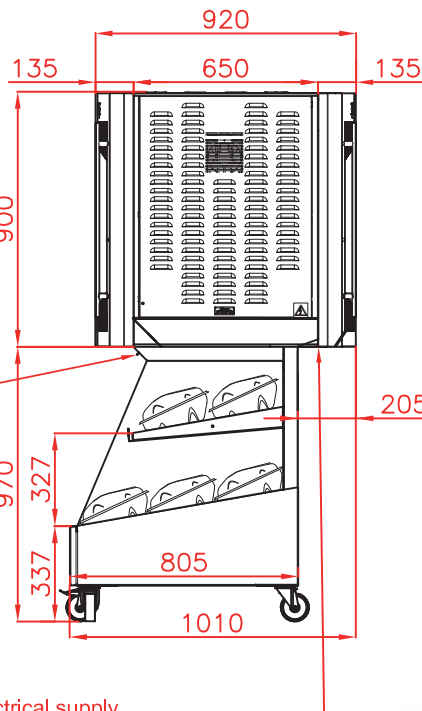
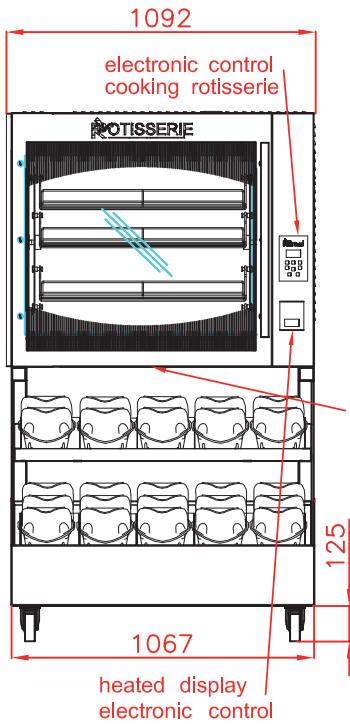
A variety of accessories are available for the unit. Video of available [accessories](#).

<p><b>BALD720</b> Chicken baskets standard.</p>		<p><b>BAP720</b> Small cuts baskets.</p>		<p><b>BAB720</b> Big pieces of meat spit.</p>	
<p><b>PD720</b> Stainless steel rack top.</p>		<p><b>BCRA720</b> Spatchcock chicken baskets.</p>		<p><b>TP8720</b> Protective roof.</p>	

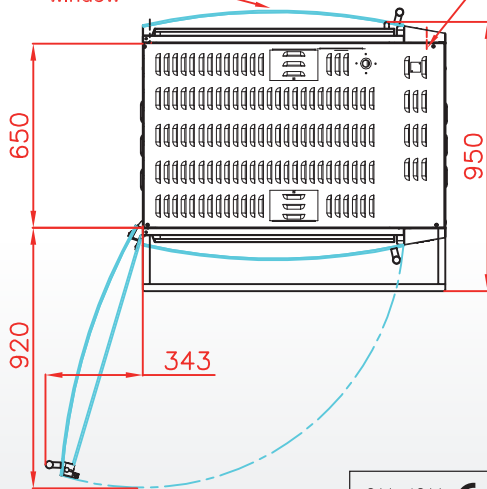
Front view  
client side  
Top view

Side view

Rear view  
service side



Option:  
curved rear  
window



Origine / Origin  
Europe

Revised :  
April 2021

### SPECIFICATIONS

Capacity roasted chickens	32/40 poultries, 8 baskets
Display capacity	25 poultries
Power supply	400 V-50Hz/60Hz + earth
Electrical power	10,1 kW
Weight and size (HxDxW)	290 kg ; 1870 x 1010 x 1092 mm
Shipping weight and size	340 kg ; 2060 x 1130 x 1130 mm
Guarantee	1 year on parts



8.720iF2LSP8

DISTRIBUTOR / AGENT

Rotisol S.A.S.

Zone industrielle La Trentaine, Avenue Gustave Eiffel

77507 Chelles cedex - FRANCE

[s.bennell@rotisol.com](mailto:s.bennell@rotisol.com) - Tel : +33 1 64 21 80 00

[www.rotisol.com](http://www.rotisol.com)