

ARM ERGOMETER

ergoselect 400



ergoline
MOVING TO HEALTH

ARM ERGOMETER

ergoselect 400

The arm ergometer *ergoselect 400* is the perfect choice for performing exercise tests with disabled patients or wheelchair users.

The special chair, which is permanently attached to the ergometer, and the anti-slip footrests offer a high level of patient comfort and safety.



Learn more about *ergoselect 400* –
with 360° view and technical features.

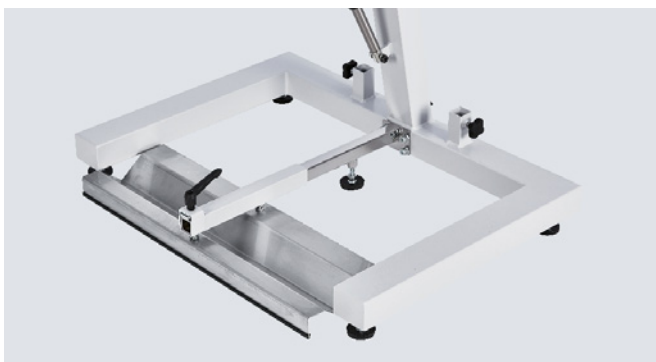
- motor-assisted height adjustment
- special chair with attachment
- anti-slip foot rests
- patient weight up to 140 kg
- load range from 6 to 450 Watts (1000 Watt option)
- user-programmable exercise test protocols
- universal interfaces
- wheelchair attachment





Motor-driven height adjustment

The height of the ergometric test unit is electrically adjustable to optimally match all patient sizes. The special chair, which is permanently attached to the ergometer, and the anti-slip footrests offer a high level of comfort and safety.



Wheelchair attachment

The special attachment for wheelchairs guarantees safe front-wheel locking – with variable distance to the ergometer.

This enables qualified cardiovascular training and targeted exercise of the shoulder and arm muscles for wheelchair users.





Special handgrips

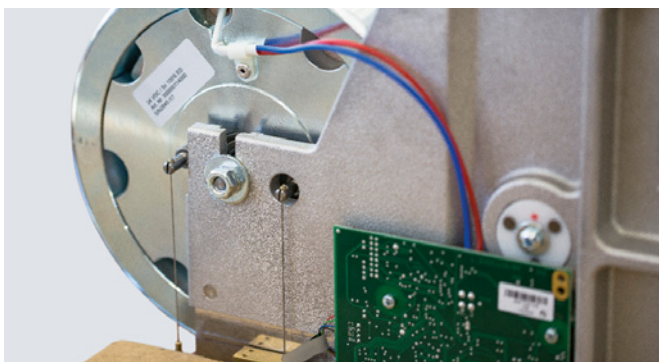
If another grip position is preferred, standard handgrips can be replaced with vertical grips.



Control terminal

All key data in a single display.

The LC display stands out for its excellent readability. The intuitive user interface enables the easy performance of custom ergometric protocols or manual load adjustment.



Precise load control

Thanks to the use of high-quality control electronics and reliable components, our devices don't just meet the standard specifications for medical ergometers, but far exceed them. Over the entire load range from 6 to 1000 Watts.



ECG connection

The ergoline interface protocol is now considered the industry standard. All leading ECG manufacturers support a control option for ergoline ergometers in their exercise ECG or ergospirometry systems.



Universal interfaces

A wide range of connection options guarantees reliable communication with external devices such as PC-based ECG units and ECG recorders.

In addition to the standard RS-232 and USB interface, wireless connections via Bluetooth or WiFi are available as well.

ergoselect 400 – Measurement

Dimensions



ergoselect 400 – Technical Specifications

Arm ergometer		ergoselect 400
Brake system		computer-controlled eddy current brake
Load		6 – 999 watts, speed-independent
Accuracy		to DIN VDE 0750-238
Speed range		30 – 130 rpm
Height-adjustable load unit		for body height from 150 cm to 210 cm
Patient weight (max.)		140 kg max. (special seat)
Width of seat		50 cm
Control terminal		
Display / patient display		load, rpm, time, blood pressure, heart rate (LCD) / rpm (LED)
Graphic display (load or pulse curve)		○
Keyboard		membrane keyboard
Exercise test protocols		
User programmable		10
Predefined incremental protocols (WHO, Hollmann, etc.)		5
Manual load control		●
Training protocols		
Pulse-controlled training (integrated Polar receiver)		○
Preprogrammed performance tests		○
Expansion options		
Wheelchair mount		○
ECG amplifier (ERS rehabilitation system)		○
Interfaces		
Digital (RS-232 USB) / analog (target load) / remote start		● / ○ / ○
ERS rehabilitation system communication port		○
Dimensions and weight		
	Ergometer	Ergometer with packaging
Length:	130 cm	209 cm
Width:	87 cm	80 cm
Height:	135 cm (max.)	157 cm
Weight:	73 kg	approx. 87 kg
Miscellaneous		
Power supply		100 – 240 V / 50 – 60 Hz (max. 50 VA)

● Standard ○ Option

PREMIUM QUALITY



MADE IN GERMANY

ergoline GmbH

Lindenstraße 5 | D-72475 Bitz, Germany

Phone: +49-(0)-7431-9894-0 | Fax: +49-(0)-7431-9894-128

email: info@ergoline.com | www.ergoline.com