

BulletPro Elite BP5X

4 post 5 ton wheel alignment lift



BulletPro

Feature

- Pantograph four post hoist
- 5 ton capacity
- Two platform jacking beams
- Wheel alignment turn table recess and rear slip plate included
- Easy operation with double safety lock system
- Electrical lock release design

Specification

Max lifting weight: 5000 kg (main lift) and 3500 kg (secondary jack)

Lifting height: 250 mm to 1900 mm (main lift) and 75 mm to 480 mm (secondary jack)

Platform width: 630 mm

Lifting time lower than 50 seconds

Net weight: 2200 kg

Dimension: 6765 x 3481 x 2355 mm

Power 415V 50 Hz 3 phase

Motor 3.0 KW system pressure 20 MPA

Voltage: 3 phase

Supreme made quality.

Comes with remote control and 2 rolling jacks

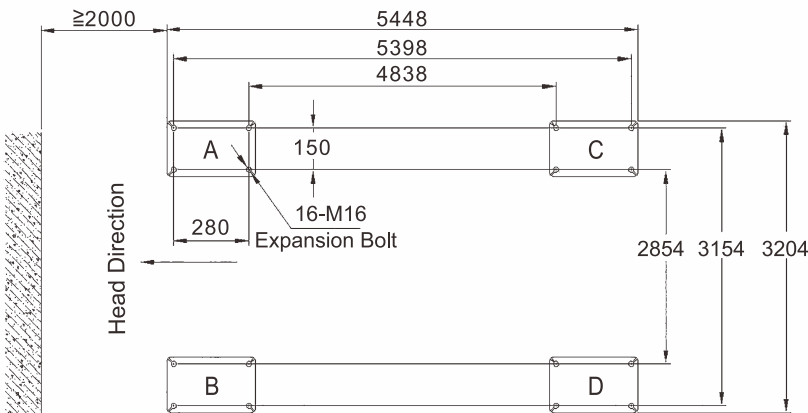
Max lifting height 1900 mm

Min height 250 mm

Platform length 4786 mm

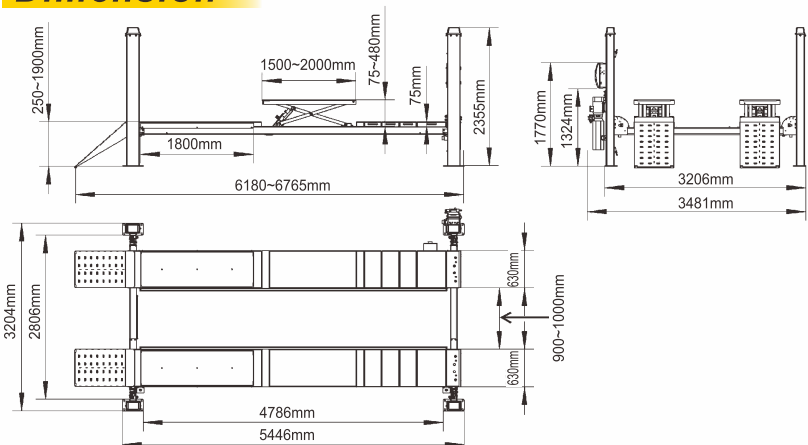
platform width 630 mm

Width between posts 900-1000 mm



- Notes: 1. Steel reinforced concrete are poured under the groundwork
The thickness is over 150mm
2. The horizontal variation of place A B C D for post installation is less than 5mm

Dimension



INTEREQUIP
INTEREQUIP PTY LTD.

www.interequip.com.au
E-mail: info@interequip.com.au
TEL: Australia 1800EQUIP (1800 037 847)