

# ROYALE FLUSH

## Toilet Auxiliary Lift



**TopGun**  
**Mobility**  
WHEELS FOR LIFE

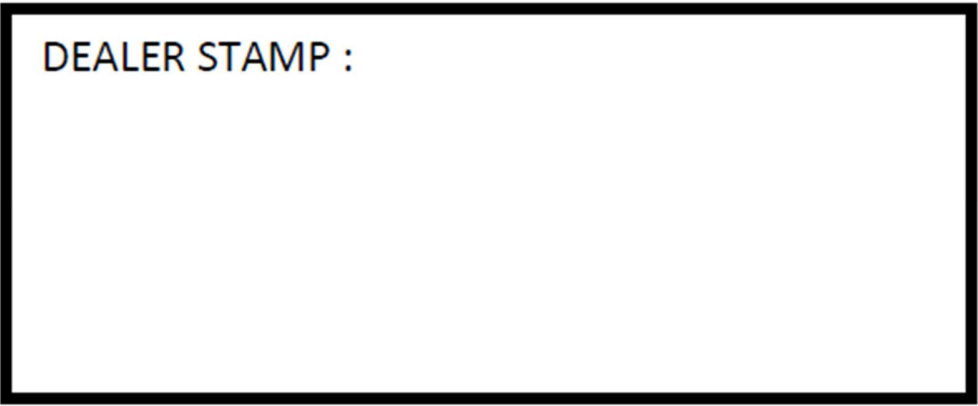
# USER MANUAL

## **AUTHORISED TOP GUN MOBILITY AFTER SALES SERVICE**

We have ensured that your new Top Gun Mobility Toilet Lift Seat is ready to deliver! Every member of our Team is dedicated to Customer Satisfaction. By making contact with the following personnel, you will be assured of Prompt and Efficient After Sales Service.

Sales : \_\_\_\_\_  
Service : \_\_\_\_\_  
Spare Parts : \_\_\_\_\_

**DEALER STAMP :**



### **WARNING**

Please read the Owner's Manual carefully before operation. If you do not fully understand any part of the Manual, please contact your dealer as soon as possible to avoid any injury or damage from misuse.

**PLEASE NOTE :** All details contained within this owner's manual are correct as at time of print. Specifications/Recommendations are subject to change without prior notice, should you have any queries please do not hesitate to contact an authorised Top Gun Mobility dealer

## CONTENTS

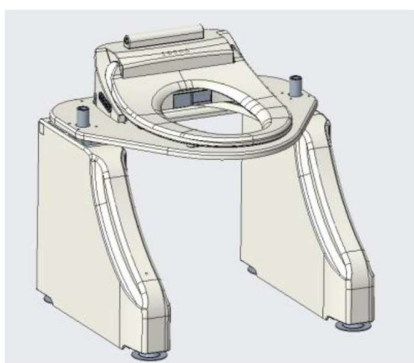
PACKAGING AND COMPONENTS.....	1
INSTALLATION .....	2
Handrail Installation .....	2
Remote Control Box installation .....	2
Adjustment of Supporting feet.....	3
Positioning Seat Lift with the Toilet.....	3
How to use the lifting button .....	6
Water Pipe installation.....	6
HOW TO USE MANUAL BUTTON/SIDE CONTROL PANEL .....	7
PREPARATION .....	8
REMOTE CONTROL INSTRUCTIONS OF USE .....	8
Stop/Power switch .....	8
Rear Wash/Oscillating.....	8
Front Wash/Oscillating.....	8
Nozzle position adjustment, nozzle cleaning .....	8
Drying .....	8
Water pressure/Air temperature adjustment.....	8
Water temperature adjustment.....	8
Seat temperature adjustment.....	9
Night lighting.....	9
Child Wash .....	9
Power Saving.....	9
Lady Care .....	9
One Solution .....	9
Strong Wash .....	9
CONTROL PANEL .....	9
CLEANING AND MAINTENANCE.....	10
Equipment cleaning.....	10
Cleaning the nozzle.....	10
Cleaning the filter net .....	10
Replacing the water filter .....	10
Replace activated carbon block .....	10
SPECIFICATIONS .....	11
WARRANTY.....	11
ADDITIONAL IMPORTANT NOTES.....	12

## PACKAGING AND COMPONENTS

Open the package, check whether all parts are complete, and determine whether there is any damage. If any parts are missing or damaged, please contact the supplier.

The package contains:

- A. Toilet auxiliary lift chair body
  - B. Handrail (with lift switch)
  - C. Handrail (without switch)
  - D. Remote control and remote-control hanging box
  - E. Water inlet hose
  - F. Water pipe tee joint
  - G. Filter
- Installation tool kit (with 4 screws for fixing the armrests and an Allen wrench)



A



B



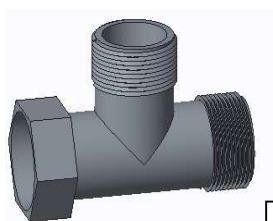
C



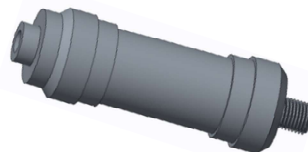
D



E



F



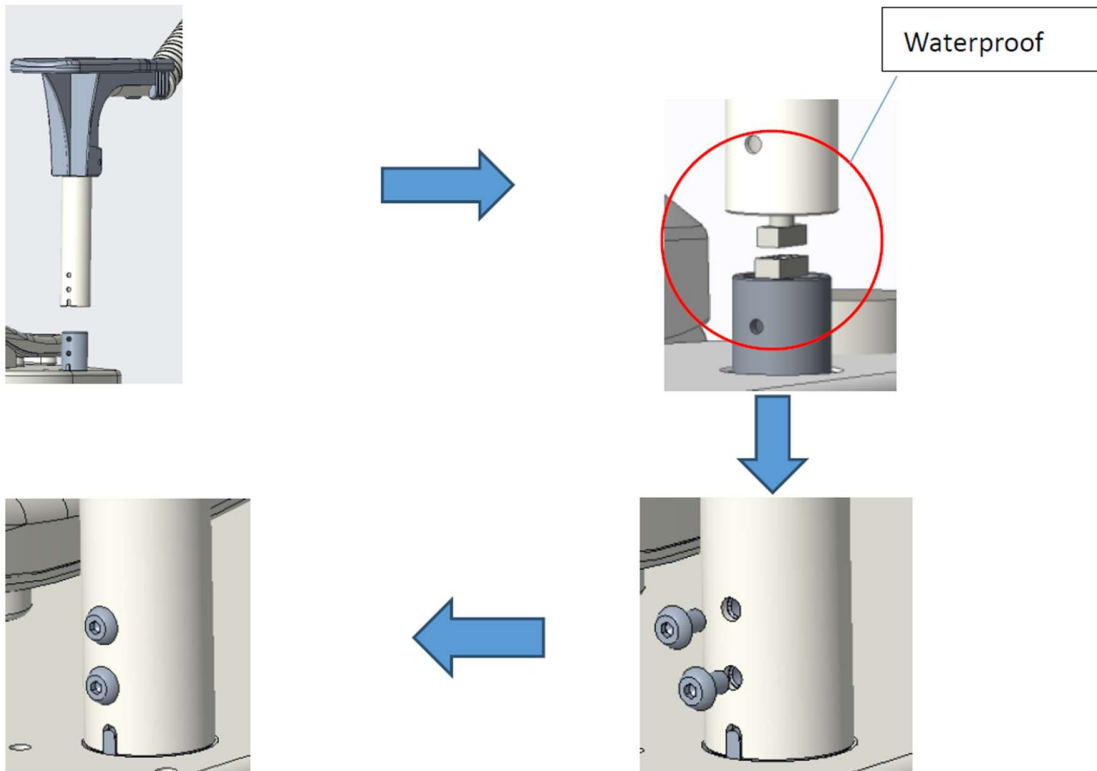
G

## INSTALLATION

### Handrail Installation

Connect the armrest to the column of the main unit, and then use the screws provided in the installation tool bag to put it into the rear armrest screw hole and lock it. (When installing armrest B, pay attention to align the waterproof plug with the socket in the column for installation)

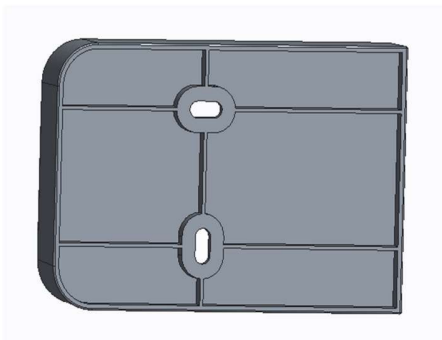
Connect the handrail to the column of the main body



Use the screws provided in the installation tool bag to put it into the rear armrest screw holes and lock it.

### Remote Control Box installation

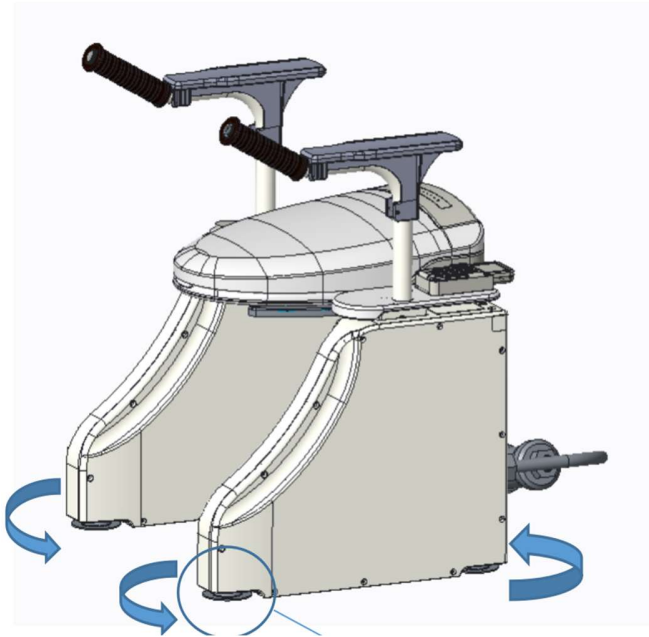
For the remote control box, tear off the double-sided adhesive on the back of the box seat and stick it in a convenient location.



## Adjustment of Supporting feet

When the device leaves the factory, all 4 supporting feet have been adjusted to the lowest height. The installer uses the soft ruler in the installation tool bag to measure the height from the ground on the edge of the ceramic base of the toilet, and then adjusts the height of the rear beam of the device to be about 1cm higher than the edge of the ceramic base of the toilet by rotating the equipment support feet to avoid The device is in contact with the toilet.

There are 4 supporting feet, and the height of the supporting feet can be adjusted by rotating to adjust the overall height of the equipment.



**\*Warning:** The device is stabilized by adjusting the 4 supporting feet to ensure that the seat is in a horizontal position. At the same time, make sure that the height of the lower edge of the outermost side of the device seat is higher than the upper edge of the ceramic base of the toilet, otherwise it may cause the device to work abnormally.

## Positioning Seat Lift with the Toilet

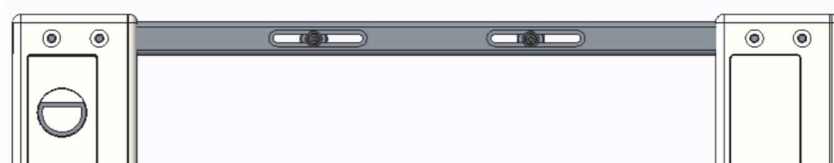
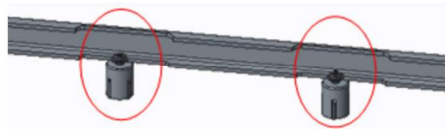
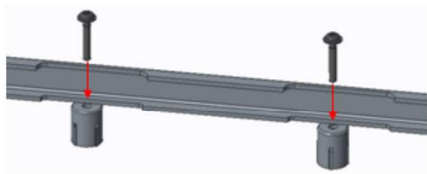
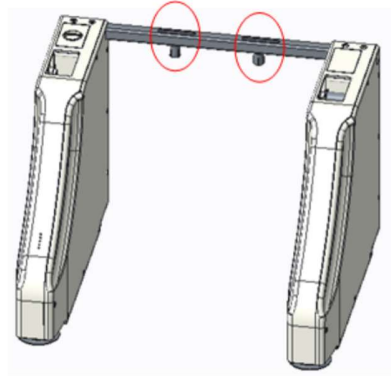
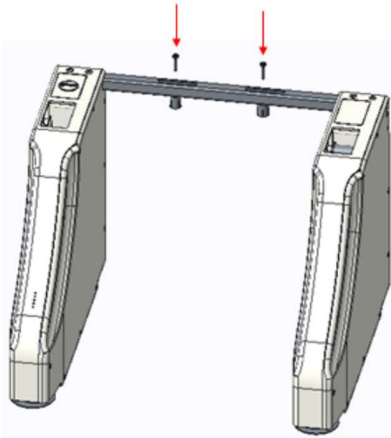
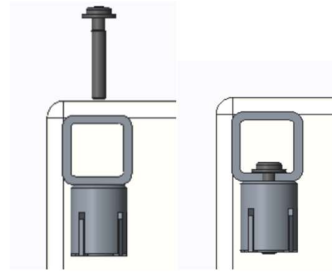
Remove the toilet cover and its fixing screws, and only keep the ceramic base of the toilet

Lift the device (the seat ring to the lowest state) and move it to the top of the toilet, then slowly lower it to ensure that the device seat ring does not touch the toilet.

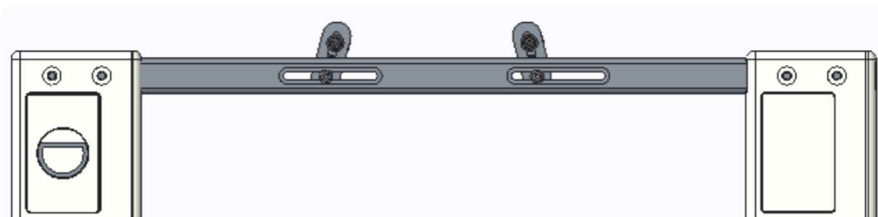
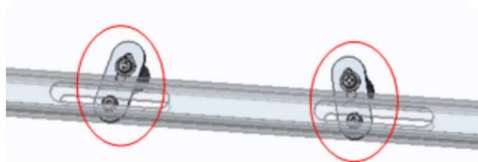
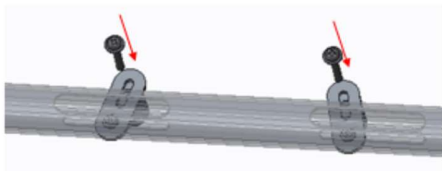
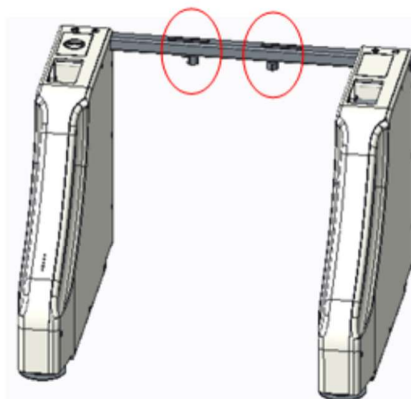
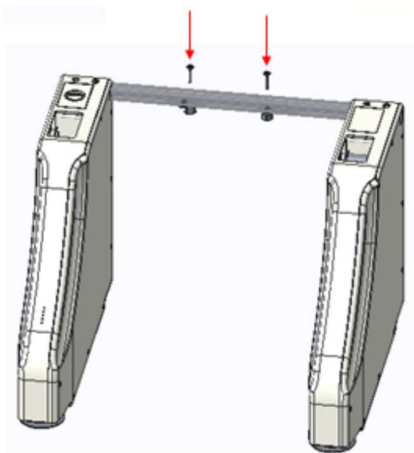
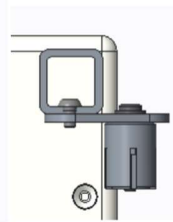
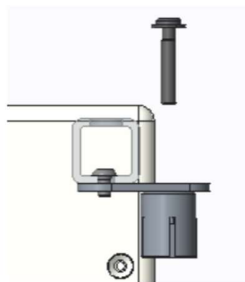
Regularly check whether the position of the equipment on the toilet is correct to avoid collision or jamming of the equipment with the toilet during use.

For users with poor body balance and self-control ability, the fixed beam of the main body A of the device and the seat ring installation hole of the toilet must be fixed with fixing bolts to prevent the user from falling sideways.

Fixing method 1: (bolt directly fixed)



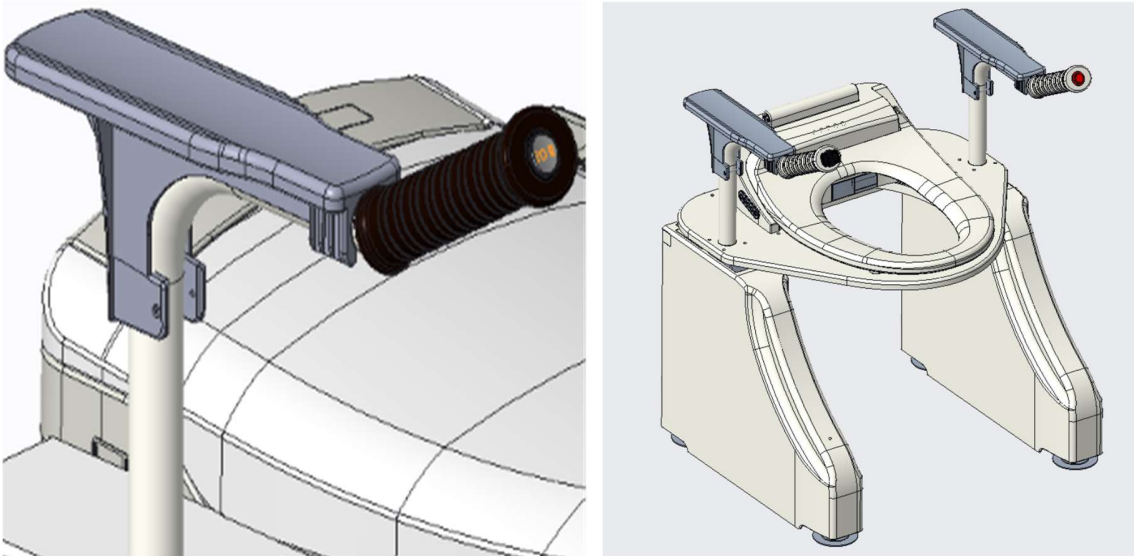
Fixing method 2: (For the special situation of the toilet hole position, first use the extension piece to adjust the distance and then fix it)





### How to use the lifting button

The lifting control switch of the device is located at the front end of the armrest. The user controls the lifting and lowering of the device by continuously pressing the left and right control keys. Release the switch to stop the device.

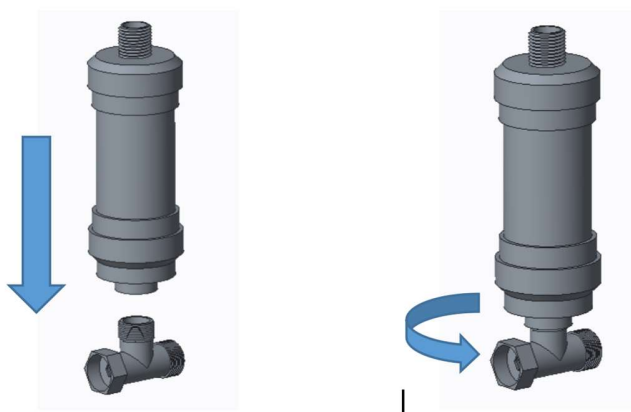


### Water Pipe installation

Install the filter G on the top of the three-way valve F and tighten it, as shown in the figure below.

We recommend this installation is completed by a licenced plumber to connect water and licenced electrician should you need a power point installed.

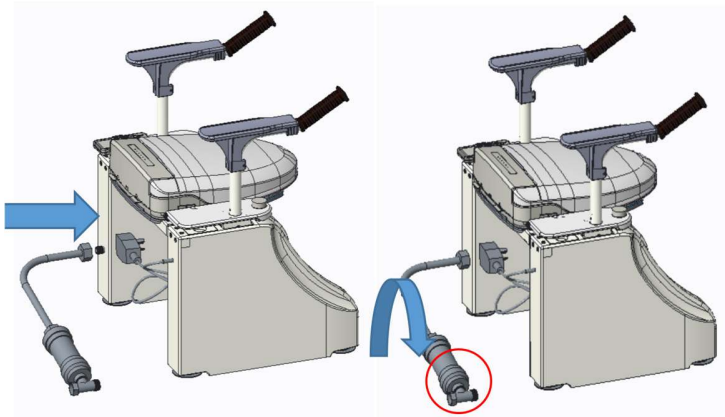
Connect one end of the water pipe to the filter and tighten the water pipe nut.



Connect the other end of the water pipe to the interface of the main body and tight it.

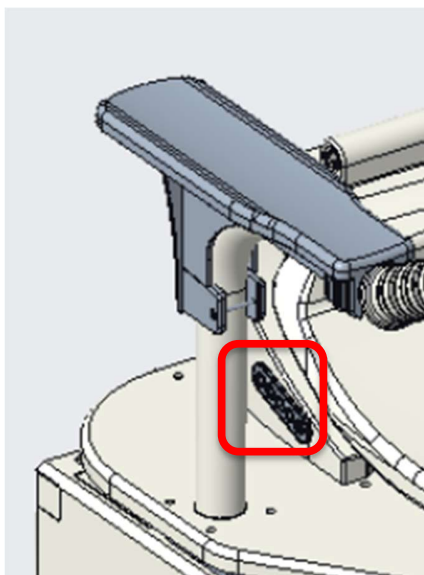


One end is connected to the water pipe, and the other end is connected to the main body



## HOW TO USE MANUAL BUTTON/SIDE CONTROL PANEL

The design of this product is mainly controlled by remote control, and the side control panel.



**Remote control**

**LED Display**

**Control panel**

POWER
WATER
SEAT
SITTING
SAVE POWER

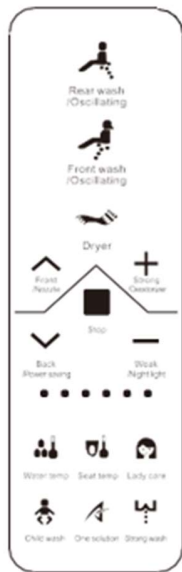
**Indicator light**

※ Indicator light & LED display panel may differ according to specific model configuration, please refer to actual model.

## PREPARATION

1. Open the water inlet valve
2. Ensure the power plug is inserted into the socket and the indicator light is on
3. Confirm the power icon in LED display is on
4. If the power light on the product indicator panel is not lit, all functions will be unavailable, please press the power button on the operation button panel

## REMOTE CONTROL INSTRUCTIONS OF USE



**Remote control**

### Stop/Power switch

Press the "Stop" button to stop the ongoing water washing (including rear washing, front washing), wash will automatically stop after 2 minutes if not manually turned off.

Press the stop button for 3 seconds to shut down

### Rear Wash/Oscillating

Press the "Rear Wash/Oscillating" button to enter the rear wash function. Press again to change between the fixed position and the moving position of the nozzle. The indicator #1 will blink on the remote control in its oscillation mode.

### Front Wash/Oscillating

Press the "Front Wash/Oscillating" button to enter the front wash function. Press again to change between the fixed position and the moving position of the nozzle. The indicator #1 will blink on the remote control in its oscillation mode.

### Nozzle position adjustment, nozzle cleaning

During the washing process, lightly press the "△" or "▽" button to adjust the nozzle position. Note in oscillating cleansing mode, the position of the nozzle cannot be adjusted.

### Drying

Press the "Dryer" button to start warm air drying. To stop the drying process press the "Stop" button. If the stop button is not pressed within 4 minutes, the drying function will automatically shut down.

### Water pressure/Air temperature adjustment

Whilst using the Front or Rear washing mode, lightly press the "+" or "-" on the remote to adjust the nozzle water pressure. There are 4 available levels.

Whilst using the drying mode, lightly press the "+" or "-" button to adjust the drying air temperature

### Water temperature adjustment

Press the "Water Temperature" button to set the nozzle water temperature (each press of the button changes the temperature). Temperatures are approx.. Low Grade 33°C, Mid Grade 36°C and High Grade 39°C

## Seat temperature adjustment

Press the "seat temperature" button to set the seat ring temperature to switch between Low, Mid, High Grade and off. Indicator lights #4, 5 & 6 correspond to the status.

## Night lighting

Press this button to turn on (or turn off) the night light below the seat ring. The night light turns off automatically after 10 minutes. The indicator light #4 on the display of the remote control pad means the night light is on.

## Child Wash

wash" button to enter the child wash function. During the child washing process, press the stop button to terminate the child wash, or press the drying button to terminate the child wash and directly enter the drying process.

When washing children, the water temperature is fixed at mid grade (approx.. 36°C), the water pressure is fixed at low, and the drying air temperature is fixed at mid-range. These 3 parameters are not adjustable at this time, in order to prevent children from adjusting these parameters at will, their delicate skin may be damaged.

The remote control shows that the corresponding child wash icon lights up to indicate the child wash status.

## Power Saving

Press the down arrow to enter automatic power save mode. The indicator light at #3 will blink on the remote control. Press again to close this mode

When automatic power saving mode is turned on, it will enter the power saving mode 1.5 minutes after leaving the toilet seat

## Lady Care

Press the "Lady Care" button, the nozzle reaches out to work and water temperature is set to the highest level (refer above for approx.. temperature), water pressure is set to level 2 and the cleaning position is the default position. Water temperature/pressure is unable to be adjusted in this mode. This mode will automatically end after 2minute. Press the stop button to end Lady Care mode.

## One Solution

Press the "One Solution" button to start. This is an automatic cycle of Rear Wash for 40 seconds, oscillate wash for 20 seconds, warm air dryer for 2 minutes and then stop. During this process you can press the stop button at any time to end 'one solution' mode.

## Strong Wash

Press the 'Strong Wash' button to commence. The nozzle reaches out and water pressure is at it's highest grade. After washing for 2mintues the cycle till automatically shut down. Alternatively, press the stop button to end.

## CONTROL PANEL

This product is designed to be controlled mainly by the remote. Manually operation from the control panel is possible, however only has basic functionality as per diagram above (pg 7)

## CLEANING AND MAINTENANCE

### Equipment cleaning

Pull out the power plug first, and then clean the equipment with a mild, non-abrasive sanitary ware cleaner. If multiple people use the equipment, it is recommended to disinfect the equipment after each use;

The equipment waterproof is IPX4, Do not rinse or immerse the equipment in liquid.

### Cleaning the nozzle

Press the "△" key on the nozzle position for 3 seconds, the nozzle will automatically extend for manual cleaning by the user. You can use a toothbrush to remove dirt or clogged impurities in the nozzle hole.

### Cleaning the filter net

Turn off the water tap and pull out the power plug.

Loosen the connection between the inlet hose and the collective.

Use tweezers or needle-nose pliers to remove the filter from the water inlet of the body.

Use a soft brush to clean the front and back sides of the filter.

Push the cleaned filter back into the water inlet of the body. Be careful not to press the metal mesh with sharp objects to avoid puncturing the metal mesh. You can use a blunt object to push the plastic part of the edge.

Turn on the water inlet and plug in the power plug.

### Replacing the water filter

Turn off the water tap and pull out the power plug.

Unscrew the connecting nuts at both ends of the filter and take out the old filter. Put the new filter back in place of the old filter.

Turn on the water inlet and plug in the power plug.

### Replace activated carbon block

After someone sits on the seat, the product automatically turns on the deodorizing function. After the human body leaves the seat, about 15 seconds later, the deodorizing function is automatically turned off. After a period of use, if the deodorizing effect becomes poor, the activated carbon for deodorizing should be replaced.

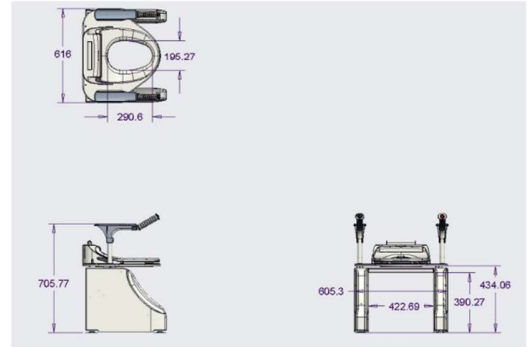
Cut off the power before replacing the activated carbon.

Pull out the activated carbon box, replace the old, activated carbon particles in the box with new activated carbon particles in the same amount.

Push the carbon box back to its original position, and then turn on the power.

## SPECIFICATIONS

- Dimensions of the unit (LxWxH) : 607\*616\*706mm
- Weight of the Unit : 22 KG
- Max Loading Weight (Weight Capacity) : 200 KG
- Distance between handrails : 504mm
- Support times for battery full charge : Plug power
- Working Voltage : 220V. USA CANADA Special 110V
- Minimum height of seat ring: 390mm



## WARRANTY

This is to certify that your Top Gun Mobility product offers a 12 month Warranty from the date of original purchase. Should a defect or operating fault arise within this period the Dealer, from where the product was originally purchased, should be notified immediately. Failure to register the fault may invalidate the warranty.

The Dealer from where the product was purchased is responsible for any warranty repairs. Top Gun Mobility warrants that if a fault occurs within this period due to faulty workmanship or materials that the product will be repaired (or replaced at the Company's discretion) free of charge. Any unauthorised modifications will invalidate the warranty.

Your Top Gun Mobility product is fully guaranteed for 12 months from the date of purchase against faults arising due to defects in manufacture or materials. This warranty does not detract from but is in addition to your legal rights.

All electronic parts, including controllers and battery chargers, have a one (1) year warranty. Servicing to any controllers or battery chargers must be carried out by your authorised Top Gun Mobility Provider. Any attempt to open or dismantle these items renders the guarantee void on that item.

### Not Covered Under Warranty

The guarantee does not extend to those items which may need replacement due to normal wear and tear (upholstery, plastic shrouds, motor brushes, fuses, and batteries), or damage to the product caused by misuse or accident for which Top Gun Mobility or its agent cannot be held responsible. This warranty does not include service calls.

### Commercial Use

Any TopGun Mobility products used in a commercial application will only be covered by a 6 month warranty from the purchase date. All other conditions in this warranty will apply.

*The Product images shown are for illustration purposes only and may not be an exact representation of the product*

## ADDITIONAL IMPORTANT NOTES

This product is only suitable for AC 220V / 50Hz power supply.

The socket used should be firmly installed inside, at least 20cm away from the ground, and have grounding measures that meet the requirements.

It cannot be installed in a place that is easily wetted by water/other conductive liquids to avoid electric shock accidents caused by water ingress.

The power cord should not be squeezed by heavy objects or sharp objects to avoid damage and electric shock.

Do not use wet objects to touch the plug/socket, and do not use liquid to flush the socket, otherwise there is a danger of electric shock. Wipe the plug with a dry cloth before inserting the plug, and insert the plug completely into the socket to avoid electric shock and poor contact.

Pull out the power plug when thunder strikes to avoid damage to the product due to lightning strikes.

The ambient temperature of this product should not be lower than 3°C and not higher than 40°C, otherwise the product will be damaged due to freezing of water or too high temperature.

Try not to splash urine and feces on the nozzle, which will easily lead to the growth of bacteria on the nozzle and cause skin inflammation.

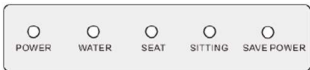
The installation/disassembly/repair of this product should be done by authorized agents or professional maintenance personnel.

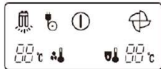



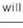

The water inlet hose must not be bent/twisted to ensure that the waterway is unblocked. Otherwise, the performance of this product will decrease.

Do not allow children or persons with mental disabilities to stay alone in the room where this product is installed, and do not let them play with this product. If they want to use this product, they should be supervised by a normal person. Because of the delicate skin of children, when using this product, other personnel should help them adjust the temperature of the seat ring of this product and the temperature of the water outlet to avoid burning their skin.

Do not use this product when there are spray nozzles in use nearby and water may splash on this product.

This product can only be used for the purposes specified in this manual.

Indicator light	
	
power indicator	When the power is on, the indicator light is on. If there is something wrong with flushing components, the indicator light will <b>blinking</b> .
water temperature Indicator	When the water is heating, the indicator light is on. If it is over heated, the indicator light will <b>blinking</b> .
seat temperature indicator	When the toilet seat is heating, the indicator light is on. If it is over heated, the indicator light will <b>blinking</b> .
seat indicator	When seated, the indicator light is on. If water level is low, the indicator light will <b>blinking</b> .
energy saving indicator	When it goes into energy saving mode, the indicator light is on.

LED Display	
	
Power	 keep lighting, means the power is turn on
Seat temperature	When seat heated, the temp will be showed by figure, when with error, temp figure will show by figure letter, when show F, it means the seat temp over temp. When show E, it means the seat temp sensor with problem
Water temperature	When water heated, the temp will be show by figure, when with error, the temp figure will show by figure letters; When show D, it means heater will problem; When show E, it means the water temp sensor with problem; When show F, it means current water temp over temp
Seated sensor	After sit on toilet seat,  keep shining
Power Saving	When under power saving,  will show in LED display
Night light	When press night light,  will show in LED display
Deodorant	When you set deodorant and sit on the seat,  will show in LED display

## ◆ Trouble shooting ◆

SITUATION	REASON	PROCESS
No power	The electrical outlet is not connect to power supply or the plug is not insert to the bottom	Check if the electrical outlet is connected to the power supply; press the reset key on the plug
No water comes out while cleaning	Low pressure of water supply	Raise the water pressure
	Water inlet filter blocked	Remount and clean the filter according to the instruction
Cleansing water in not warm enough	Water temp setting is incorrect	Readjust
Seat does not heat	Seat temp setting is incorrect or the product is in power saving mode	Readjust
Seat and cover are loose	Fixed bolts are loose	Tighten the bolts
Remote controller failure	Battery runs out	Replace battery
No response when pressing the key	Key fault	Reboot or contact ascendant
Water leakage	Shutoff valve, water supply hose and water separator are not well connected	Reconnect





# TopGun Mobility

WHEELS FOR LIFE



Copyright Top Gun Mobility  
Owner's Manual & Warranty Booklet 2022