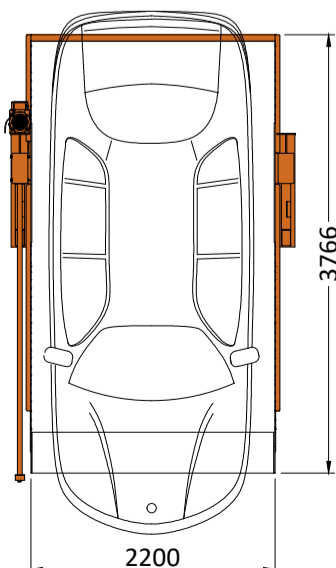
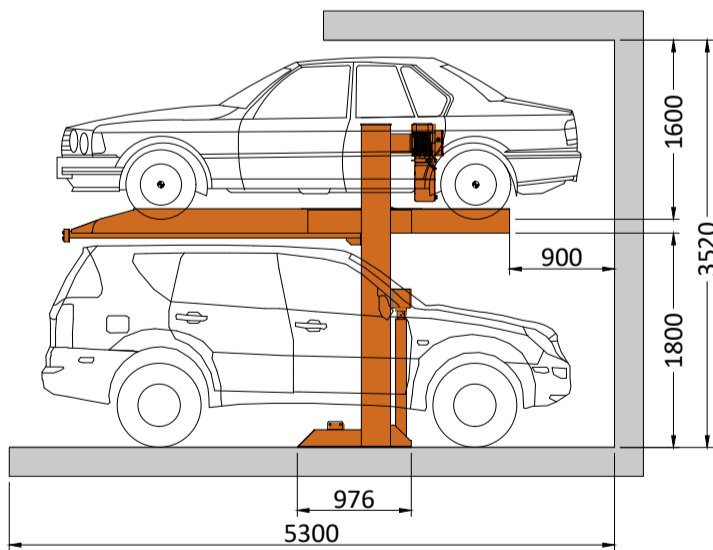
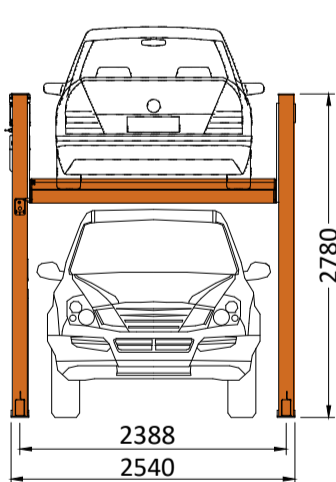




The compact AutoLift 1118 is a new generation two post car parking lift with a lifting capacity of 1800kg. Each lift creates a valuable additional parking space, capable of stacking a sedan above a medium sized SUV. Its compact 2200mm wide platform enables the efficient parking of smaller vehicles making it an ideal parking solution for home garages, apartment buildings, commercial buildings etc. It does not require the additional headroom of the AutoLift 1132 parking lift, the required headroom is just 3520mm.

- Each lift offers 2 car spaces
- Required headroom: 3520mm
- Lifting capacity 1800kg
- Platform width 2200mm
- Usable platform length 3634mm
- Ground car height 1700mm
- Standard upper car height 1550mm
- New locking mechanism with superior safety & stability
- Easier operation with electric auto release function
- Galvanized platform sheets with high rust resistance performance
- Bolts & nuts withstand 72hrs Salt Spray Test.
- Driven by hydraulic cylinder + Korean lifting chain
- Synchronizing chain keeps platform level during working under all conditions
- Premier surface treatment of power coating enhanced by Akzo Nobel powders
- Proven quality compliant to CE standards.

Dimensions & Specifications



Lifting capacity	1800kg / 4000lbs
Lifting height	1800mm / 71 inches
Usable platform width	2200mm / 87 inches
Power pack	2.2kw hydraulic pump
Adaptable power supply	240V, 1Ph, 50hz or 415V, 3Ph, 50Hz
Operation mode	Key switch
Anti-falling lock	Available
Lock release	Electrical auto release
Control voltage	Low voltage 24v AC
Lifting time	Approx. 35s
Lowering time	Approx. 20s
Finishing	Powder coating with Akzo Nobel powders