



# HIGH-SPIN HYGIENIC BARRIER WASHER-EXTRACTORS

IMB360  
36KG

IMB500  
50KG

IMB700  
70KG

## FEATURES

- Freestanding, high spin
- Oversized frame, bearings and drum
- Large drain valves (2 x Ø 76 mm)
- Easy access to all parts
- Frequency controlled motor
- Large door opening for easy loading and unloading
- Aries Elite
  - Freely programmable
  - Multilingual
- Perforated lifting ribs: more mechanical action, lower water consumption
- Eco-friendly washing programs - significantly reduces water and electricity consumption
- USB & RS485 plug
- Soap dispenser with 5 removable compartments
- Designed with focus on ergonomoy
- Golden lock - patented inner door lock mechanism

## OPTIONS

- Liquid soap pumps
- SmartWAVE patented water absorption technology
- Aries Assist- technology and networking system
- Isolation for energy and noise reduction
- Version without soap hopper
- Drain valve for water recycling
- Water sample tap
- Second display (located on the clean side)
- Lateral drain
- Extra visualisation of end of cycle (orange light + signal)
- Extra visualisation of end of cycle (traffic light + signal)



IMB 360 - 500



IMB 700

Speak with a Laundry Specialist

t: 1300 222 119

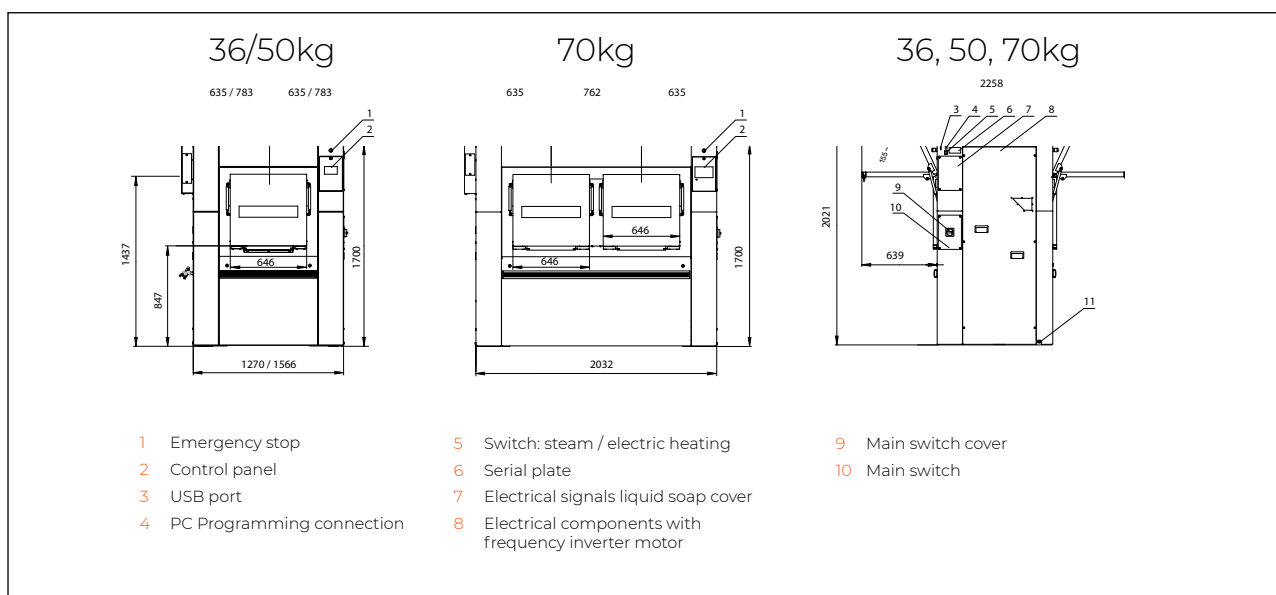
e: [info@aqualogic.com.au](mailto:info@aqualogic.com.au)

w: [aqualogic.com.au/contact](http://aqualogic.com.au/contact)



	IMB360	IMB500	IMB700
DRUM			
CAPACITY 10:1 (KG)	36	50	70
VOLUME (L)	360	500	700
DRUM DIAMETER (MM)	775	775	775
DRUM DEPTH (MM)	764	1060	1484
NUMBER OF DRUMS	1	1	2
NUMBER OF LOADING DOORS	1	1	2
NUMBER OF UNLOADING DOORS	1	1	2
MOTOR			
POWER (KW)	4	7,5	7,5
DRUM SPEED			
WASH SPEED (RPM)	41	41	41
EXTRACTION SPEED (RPM)	900	900	900
G-FACTOR	350	350	350
PROGRAMMER			
ARIES ELITE	standard	standard	standard
CABINET			
DOOR OPENING ANGLE (°)	155	155	155
HEATING			
100% HOT WATER (°C)	90	90	90
100% ELECTRICAL (KW)	36	48	60
STEAM HIGH PRESSURE (BAR)	3-8	3-8	3-8
CONNECTIONS			
ELECTRICAL	3 x 200-240/50-60Hz 3 x 380-415/50-60Hz 3 x 440-480/50-60Hz	3 x 200-240/50-60Hz 3 x 380-415/50-60Hz 3 x 440-480/50-60Hz	3 x 200-240/50-60Hz 3 x 380-415/50-60Hz 3 x 440-480/50-60Hz
WATER INLET (MM)	3 x 25 (1")	3 x 25 (1")	3 x 25 (1")
STEAM INLET (MM)	19 (3/4")	19 (3/4")	19 (3/4")
DRAIN DIAMETER (MM)	2 x 76 (3")	2 x 76 (3")	2 x 76 (3")
DIMENSIONS			
H x W x D (MM)	1700 x 1270 x 980	1700 x 1566 x 980	1700 x 2032 x 980
NET WEIGHT (KG)	960	1130	1310
TRANSPORT DATA			
DIMENSIONS H x W x D (MM)	2005 x 1530 x 1255	2005 x 1830 x 1195	2005 x 2290 x 1195
GROSS WEIGHT (KG)	1090	1280	1470

\* Tested in accordance of EN604-56 norm.  
The data concerning dimensions of machines include all extended parts.



Speak with a Laundry Specialist

t: 1300 222 119 e: info@aqualogic.com.au w: aqualogic.com.au/contact

