

# MAXTECH

PNP300x42-Ø12 HL45

EAN 4031582411089

Wheel centre made of Polypropylene, Tread: Polyurethane, foamed, precision ball bearing



BETTER MOBILITY. BETTER LIFE.

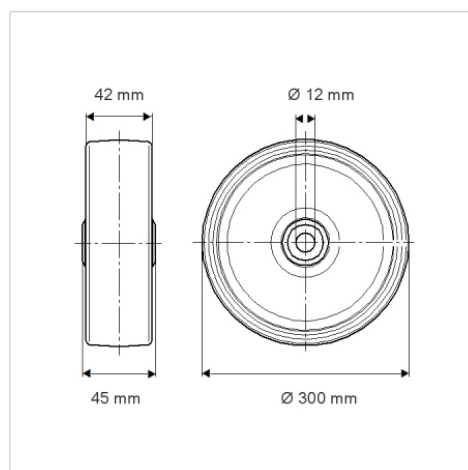


Picture may differ from original product

## Technical Data

Wheel diameter	300 mm
Wheel width	42 mm
Axle Hole-Ø	12 mm
Hub length	45 mm
Temperature	- 20 / + 60 °C
Standard	EN 12530
Hardness of tread	Shore A 70
Load capacity	70 kg
Load capacity (static)	140 kg

## Dimensions



## Advantages at a glance

Roll performance	● ● ● ○ ○
Movement noise	● ● ● ○ ○
Attrition	● ● ● ○ ○
Corrosion resistance	● ● ● ○ ○