



EZ-Skid Steer Mulcher



EZ Mulchers are designed for high performance cutting, and mulching vegetation and undergrowth. The hydraulic mulcher reduces saplings, shrubs and trees into a mulched material, making it ideal for environmental maintenance, such as creating fire lanes. Other applications include: reclaiming untilled land, removing foliage from building construction sites, and shredding pruned material and organic waste for biomass production.

Dual speed, axial piston hydraulic motor

Dual speed, axial piston motor provides smooth efficient performance while delivering optimal torque under changing material loads.

Robust mulching drum

Robust Mulching head mulchers trees up to 200mm (8in) diameter for effective land clearing applications.

Fixed tooth dynamically balanced rotor

The heavy duty fixed tooth drum provides excellent operating efficiency at high speed. Dual bolt retention provides quick tooth replacement.

Adjustable brush bar push frame

Standard adjustable push bar allows for control of trees for optimal cutting and efficiency. The low profile design aids operators visibility and the side gussets provide control of the vegetation you're cutting which improves tooth life.

Visual pressure gauge

4in pressure gauge is standard equipment and provides operator feedback in order to maximise productivity. The gauge gives the operator feedback on the load being applied to the mulcher and enables adjustments be made to maximise productivity in changing material loads

Hydraulically operated front hood

Hydraulically operated front hood is standard on all models. The quick to open and close door allows for finer finished material to be produced from cutting all types of vegetation.

Rear chain guard protection

Rear chain guard protection reduces spread of material

Hose couplings

Quick connect couplings come standard on all models.

Accessible service panel

The service panel allows easy access to hoses. The side service panels allow easy access to drive train components during service and inspection.

Direct Drive motor

The EZ-Skid Steer Range come standard with direct drive variable speed motors. Pending the machine size, the units can come with single or dual drive motors

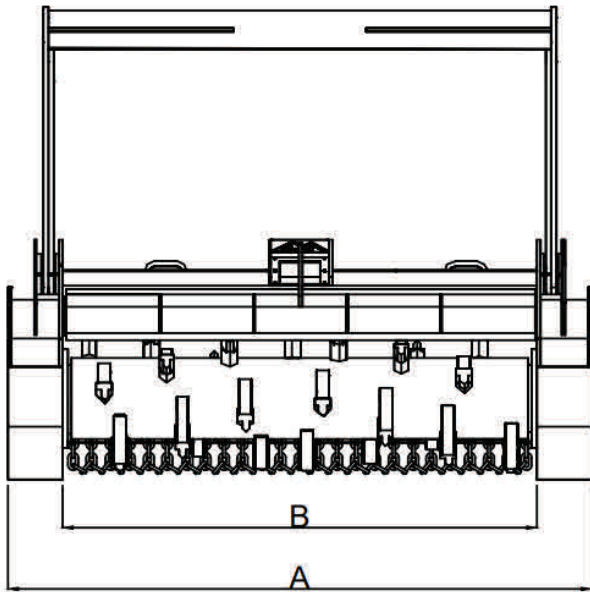


Phone: 1300 736 982

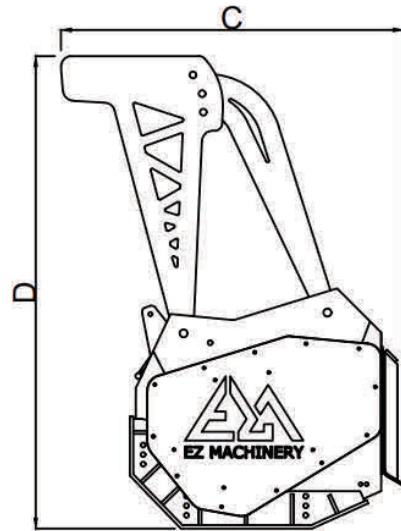
www.ezmachinery.com.au

54 Kabi Circuit, Deception Bay Qld 4508





	EZ118		EZ118HF	
A Overall width	1882	mm	2250	mm
B Working width	1582	mm	1880	mm
C Length	1354	mm	1142	mm
D Overall height	1480	mm	1579	mm
Weight	1550	Kg	1550	Kg
Drive method	Direct drive		Direct Dual Motor	
Motor	Axial piston dual speed		Axial piston dual speed	
Optimum hydraulic flow	L/min (gpm)	96-117 (25-31)	120-125	(31-33)
Optimum hydraulic pressure	bar (psi)	230 (3330)	280	(4060)
Drum Speed range	rpm	2480-3020	2140-2230	
Fixed teeth per drum		42	42	
Maximum cutting diameter	mm (in)	200 (8)	200	(8)



	EZ115		EZ115HF	
A Overall width	1758	mm	1950	mm
B Working width	1480	mm	1580	mm
C Length	1219	mm	1142	mm
D Overall height	1281	mm	1579	mm
Weight	1200	Kg	1200	Kg
Drive method	Direct drive		Direct Dual Motor	
Motor	Axial piston dual speed		Axial piston dual speed	
Optimum hydraulic flow	L/min (gpm)	96-117 (25-31)	120-125	(31-33)
Optimum hydraulic pressure	bar (psi)	230 (3330)	280	(4060)
Drum Speed range	rpm	2480-3020	2140-2230	
Fixed teeth per drum		36	36	
Maximum cutting diameter	mm (in)	200 (8)	200	(8)

