

A new generation of CNC shear. High precision, European design, efficient and reliable. High performance CNC hydraulic shear machine.

# PRACTICA VARIA



DERATECH

# DERATECH

Company  
Introduction

PROBABLY THE BEST PRICE/QUALITY  
RATIO IN THE WORLD!





## DERATECH GROUP

Deratech is specialized in designing and manufacturing sheet metal working machines. The Deratech headquarters for research, design and assembly are based in Belgium. Subsidiaries all over the world (Australia, China, Germany, Netherlands, Thailand, ...) and carefully selected partners provide a world class advice, sales installation and service.

Shanghai Deratech CNC Machine Tool Co. Ltd, is the new production & technology center of Deratech - Belgium in China. The advanced European design, quality and technology of our R&D center in Belgium together the experienced engineering team of Shanghai Deratech will result in high quality production of sheet metal working machinery. All processing is designed in 3D by our technical department to obtain a high precision on all the manufactured machine parts.

**Deratech is your partner in sheet metal working machinery.**

A NEW GENERATION OF CNC SHEAR.  
HIGH PRECISION, EUROPEAN DESIGN,  
EFFICIENT AND RELIABLE.  
HIGH PERFORMANCE HYDRAULIC  
SWING BEAM SHEAR.



Practica, CNC hydraulic shears with oscillating knife beam are sound, heavily built machines. Design and construction guarantee reliable functioning, precise cutting results and a long life span with little maintenance. The oscillating knife beam and the resulting clearance extend the longevity of the knives. The extremely small cutting angle minimizes the distortion when cutting both thin and thick plate material.

# PRACTICA

SWING BEAM SHEARS



A NEW GENERATION OF CNC SHEAR.  
HIGH PRECISION, EUROPEAN DESIGN,  
EFFICIENT AND RELIABLE.  
HIGH PERFORMANCE VARIABLE ANGLE  
SHEAR



# VARIA

HYDRAULIC GUILLOTINE SHEARS







## PRODUCT FEATURES

- | Solid squaring arm with ruler installed on the left side of the machine to ensure the cutting precision.
- | Working table with hard transfer balls.
- | Medium precision ensure the workpiece is not matched on request.
- | We can equip the machine with brush tables.



2 | 3

## CNC BLADE GAP ADJUSTMENT DEVICE



2

CNC controlled blade gap adjustment

3

High precision backgauge with integrated high accuracy ball screw + linear guide, powered by high performance servo motor. (Standard equipped with automatic swing-up function)

## PRODUCT FEATURES



4

Unique structure design for the hold-down cylinders; a special built-in spring structure with high quality inserts to avoid markings on sensitive materials that need to be cut (eg. aluminum, pre-painted steel,...)

6

CNC controlled conveyor with integrated sheet support to evacuate cut part after the cutting process''



7

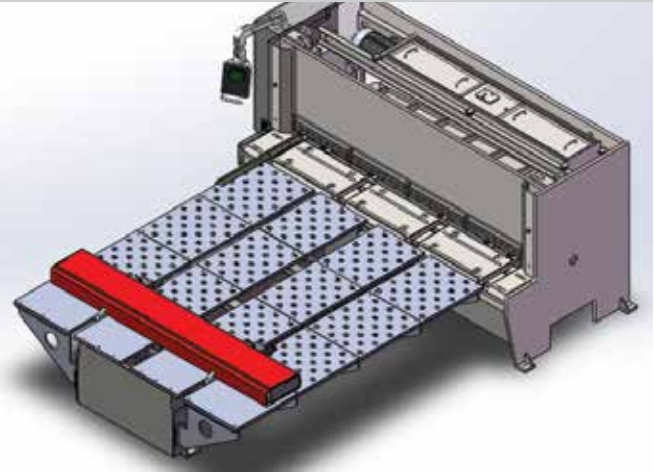
Good quality blades





5

High quality hydraulic system



8

CNC-Controlled, automatic cut to length front feeder for Practica or Varia

9

CNC control on rotating arm, improving the comfort of operating the machine.

10

Font support tables with integrated transfer balls or brushes, to reduce friction and ensure the workpiece surface is not scratched. Practical designed finger protection, ensures the safety of the operator when cutting small parts.



# PRODUCT FEATURES



6

Separate container for small parts + return of narrow strips to the front side underneath the machine. (eg. Aluminum, pre-painted steel,... )



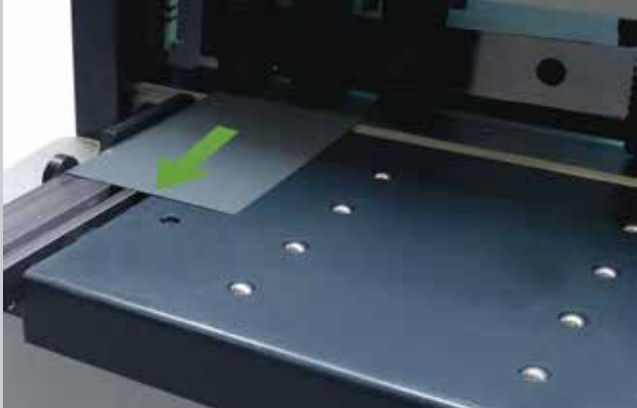
7

Movable container both to the front and back of the shear on wheels



8

Control panel on rail, movable in width (eg. Aluminum, pre-painted steel,... )



9

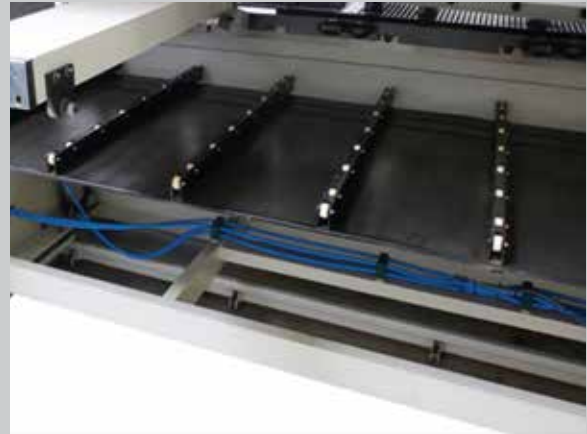
Return of (cut) parts to the operator: no time losses no marking / damaging, torsion free cutting

## UNIQUE TECHNICAL CHARACTERISTICS

# SHEET SUPPORT

**Problem 1:** The hanging of the plate due to its own weight results in incorrect cutting dimension or the plate passing underneath the backgauge bar.

**Problem 2:** Due to the cutting process, the plate can get damaged: the so-called "dog-ear". The double-acting sheet hold-up-system supports the sheet so you can position it straight against the backgauge bar. During the cutting process, the support arms descended parallel: the sheet remains entirely supported. Only after finishing the cut, do the support arms descend entirely so the plate can glide to the back.



# SAFETY

Finger protection with laser light guard



# CNC CONTROLLER

## 1. Easy to operate

International style touch screen EASY CUT page, fast to finish the cutting, rich interactive information, alarm function, automatically cutting function calculated according to the material of work piece.

## 2. Powerful function

Automatic cutting length adjustment function.

Automatic back gauge calibration/retracted function.

Pneumatic sheet support 3positions and 2positions exchange function.

Energy-saving mode function.

Wireless transmission function, easy to update the software and save the programs Integrated operation button, save the cost.

Particular navigation feature, easy to adjust the machine.

More than 10 different kinds languages are available.

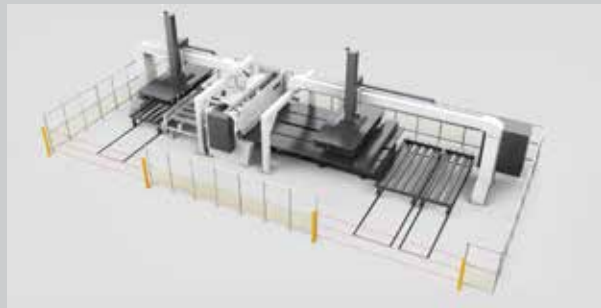


The new generation of CNC-controllers for hydraulic shears is fabricated completely in house. Deratech has developed and designed a user friendly touch screen controller: D-TOUCH.

The D-Touch controller is easy to use and provides a lot of features that either brands of controllers do not have available (waste sorting mode, small parts mode...). In automatic mode the operator only selects the type of material, the thickness and the size of the backgauge... than press start and the machine will be set automatically ready to be used.

The D-Touch controller is available with a 10" or 12" touch screen. Also, Deratech can customize to customers demand the D-Touch controller and even adding more extra functions to the needs of the end user.

Fully automatic cutting center available with sorting features



## DERATECH PRACTICA (2018)

Model	Max. shearing thickness (mm)	Max. shearing width (mm)	Distance between uprights (mm)	Strokes (n/min)	Back-gauge stroke (mm)	Shearing angle (°)	Working table height (mm)	Throat depth (mm)	Main power (kw)	Oil volume (L)	Dimensions(mm)			Weight (kg)
											Length	Width	Height	
PAC-4-2500	4	2500	2710	22	1000	1.5	900	100	7.5	220	3100	1470	1870	5100
PAC-4-3200	4	3200	3410	20	1000	1.5	900	100	7.5	290	3820	1500	1890	6700
PAC-4-4000	4	4000	4220	15	1000	1.5	900	100	7.5	290	4652	1660	1900	7800
PAC-4-6000	4	6000	6190	10	1000	1.5	900	100	11	380	6600	2170	2210	16300
PAC-6-2500	6	2500	2720	20	1000	1.5	900	100	7.5	220	3130	1570	1890	1610
PAC-6-3200	6	3200	3420	18	1000	1.5	900	100	7.5	290	3840	1610	1910	6900
PAC-6-4000	6	4000	4220	15	1000	1.5	900	100	7.5	290	4630	1850	1990	9200
PAC-6-5000	6	5000	5620	12	1000	1.5	900	100	11	380	5700	2020	2160	14300
PAC-6-6000	6	6000	6230	10	1000	1.5	900	100	11	380	6650	2170	2210	18300
PAC-8-2500	8	2500	2760	14	1000	1.5	900	100	11	220	3190	1600	1910	6300
PAC-8-3200	8	3200	3460	12	1000	1.5	900	100	11	290	3900	1680	1940	8800
PAC-8-4000	8	4000	4260	10	1000	1.5	900	100	11	290	4680	1900	2010	10100
PAC-8-5000	8	5000	5255	8	1000	1.5	900	100	11	380	5720	2270	2200	16300
PAC-8-6000	8	6000	6225	6	1000	1.5	900	100	11	380	6670	2270	2340	22300
PAC-10-3200	10	3200	3500	10	1000	1.5	900	100	15	420	3960	2025	2185	10800
PAC-10-4000	10	4000	4300	8	1000	1.5	900	100	15	420	4760	2135	2220	13980
PAC-12-2500	12	2500	2755	12	1000	1.5	900	100	18.5	360	3235	2045	2120	10000
PAC-12-3200	12	3200	3465	9	1000	1.5	900	100	18.5	500	3945	2270	2270	13000
PAC-12-4000	12	4000	4265	7	1000	1.5	900	100	18.5	500	4745	2320	2470	15500
PAC-16-2500	16	2500	2775	7	1000	2.5	900	100	22	360	3390	2160	2380	12500
PAC-16-3200	16	3200	3485	6	1000	2.5	900	100	22	500	4100	2300	2545	16000
PAC-16-4000	16	4000	4285	5	1000	2.5	900	100	22	500	4850	2350	2545	20000
PAC-20-2500	20	2500	2785	6	1000	2.5	900	100	45	540	3440	2350	2630	18500
PAC-20-3200	20	3200	3485	5	1000	2.5	900	100	45	800	4140	2450	2660	22500
PAC-20-4000	20	4000	4285	5	1000	2.5	900	100	45	800	4940	2500	2675	25500

## DERATECH VARIA (2018)

Model	Max. cutting thickness (mm)	Max. cutting length (mm)	Distance between uprights (mm)	Strokes (n/min)	Back gauge stroke (mm)	Cutting angle (°)	Main power (kw)	Oil volume (L)	Dimensions(mm)			Weight (kg)
									Length	Width	Height	
VAC-6×3050	6	3050	3600	16-40	1000	0.5-2.5	15	400	4030	2116	2100	8400
VAC-6×4050	6	4050	4620	14-33	1000	0.5-2.5	15	400	5060	2200	2270	11500
VAC-6×5050	6	5050	5620	10-25	1000	0.5-2	15	500	6100	2200	2300	16000
VAC-6×6050	6	6050	6620	7-20	1000	0.5-2	15	500	7100	2300	2500	20000
VAC-8×3050	8	3050	3600	12-30	1000	0.5-2.5	15	400	4030	2116	2100	9500
VAC-8×4050	8	4050	4620	10-25	1000	0.5-2.5	15	400	5060	2300	2270	12500
VAC-8×5050	8	5050	5620	7-16	1000	0.5-2	22	500	6100	2200	2300	20000
VAC-8×6050	8	6050	6620	6-16	1000	0.5-2	22	500	7100	2300	2500	28000
VAC-10×3050	10	3050	3620	12-30	1000	0.5-2.5	22	500	4080	2165	2260	12000
VAC-10×4050	10	4050	4620	10-24	1000	0.5-2.5	22	500	5205	2320	2300	15000
VAC-10×6050	10	6050	6640	6-18	1000	0.5-2	22	600	7250	2350	2800	36500
VAC-13×3050	13	3050	3640	12-26	1000	0.5-2.5	30	500	4250	2300	2415	14000
VAC-13×4050	13	4050	4640	10-22	1000	0.5-2.5	30	500	5205	2350	2485	17000
VAC-16×3050	16	3050	3640	8-18	1000	0.5-2.5	30	500	4235	2300	2485	16000
VAC-16×4050	16	4050	4640	7-15	1000	0.5-2.5	30	500	5235	2350	2585	21000

If you need more product specification please contact with us.



**Deratech Industries**

Molenweg 101  
2830 Willebroek  
Belgium  
T: +32 (0)3 279 81 62  
F: +32 (0)3 279 81 63  
E: [bjorn@deratechindustries.com](mailto:bjorn@deratechindustries.com)  
W: [www.deratechgroup.com](http://www.deratechgroup.com)

**Deratech China**

N°. 398, Shuangzhu Rd Jiading  
District, Shanghai City  
P.R. China  
T: +86 (21) 3107 4898  
F: +86 (21) 3107 4897  
E: [info@deratech.cn](mailto:info@deratech.cn)  
W: [www.deratech.cn](http://www.deratech.cn)

**Deratech UAE**

Dubai UAE  
T: +971 50 41 20 357  
E: [samer@deratechindustries.com](mailto:samer@deratechindustries.com)  
W: [www.deratechgroup.com](http://www.deratechgroup.com)

**Deratech GmbH**

Königsallee 60F  
40212 Düsseldorf  
Germany  
T: +49211 88284 166  
F: +49211 88284 117  
E: [info@deratech.de](mailto:info@deratech.de)  
W: [www.deratech.de](http://www.deratech.de)

**Deratech Australia**

5/35-41 Westpool Drive  
Hallam - Victoria 3803  
Australia  
T: +613 9796 5260  
F: +613 9796 5360  
E: [sales@deratechgroup.com.au](mailto:sales@deratechgroup.com.au)  
W: [www.deratech.com.au](http://www.deratech.com.au)

**Deratech Thailand**

101/82 Moo 12 - Puttamonthon 5 Road  
Rai King Sampran - Nakhonpathom  
73210 Thailand  
T: +6624 088637-8  
F: +6624 088639  
E: [thailand@deratechgroup.com](mailto:thailand@deratechgroup.com)  
W: [www.deratechgroup.com](http://www.deratechgroup.com)

**Finval Industry**

14/22, 2-d Youzhnoportoviy Proezd  
115088 Moscow  
Russia  
T: +7 (495) 213 87 83  
F: +7 (495) 647 88 56  
E: [sales@deratechgroup.com](mailto:sales@deratechgroup.com)  
W: [www.finval.ru](http://www.finval.ru)

**Promech Engineering**

Nile Tower - Second floor office A1  
Corniche El-Nile Maadi - Cairo  
Egypt  
T: (662) 105 42 67  
F: (662) 482 19 84  
E: [sameh@promech-eg.com](mailto:sameh@promech-eg.com)  
W: [www.promech-eg.com](http://www.promech-eg.com)

**M/s Tech Mach Machine Tool**

#34 Basement - 1<sup>st</sup> main Road  
Anandnagar - Bangalore - 560024  
Karnataka State - India  
T: +91 080 23531 129  
F: +91 984 5068 437  
E: [sales@deratechgroup.com](mailto:sales@deratechgroup.com)  
W: [www.techmach.com](http://www.techmach.com)

**Deratech México**

Montecito 38, Piso 28, Ofic 12 y 13.  
Colonia Nápoles.  
Delegación Benito Juárez.  
México, D.F. 03810.  
T: +(55) 5547 4963  
E: [ventas@deratech.mx](mailto:ventas@deratech.mx)  
W: [www.deratechgroup.com](http://www.deratechgroup.com)

**Promotec LSMC Srl**

Via Levico, 25/A  
35035 Mestrino - Padova  
Italy  
T: +39 (049) 900 46 19  
E: [a.riva@gigant-industries.com](mailto:a.riva@gigant-industries.com)  
W: [www.gigant-industries.com](http://www.gigant-industries.com)

