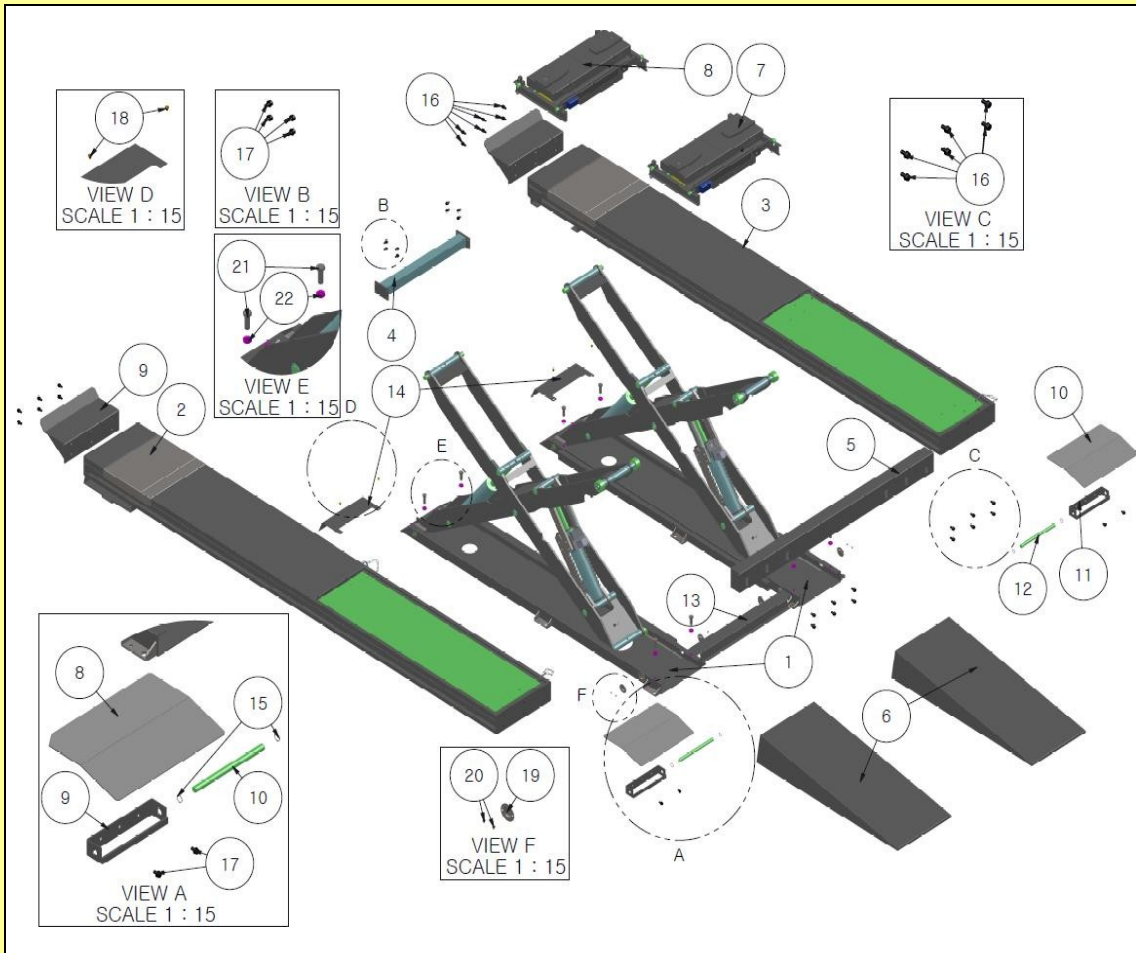


Alignment Scissor Hoist Part A : Assy'

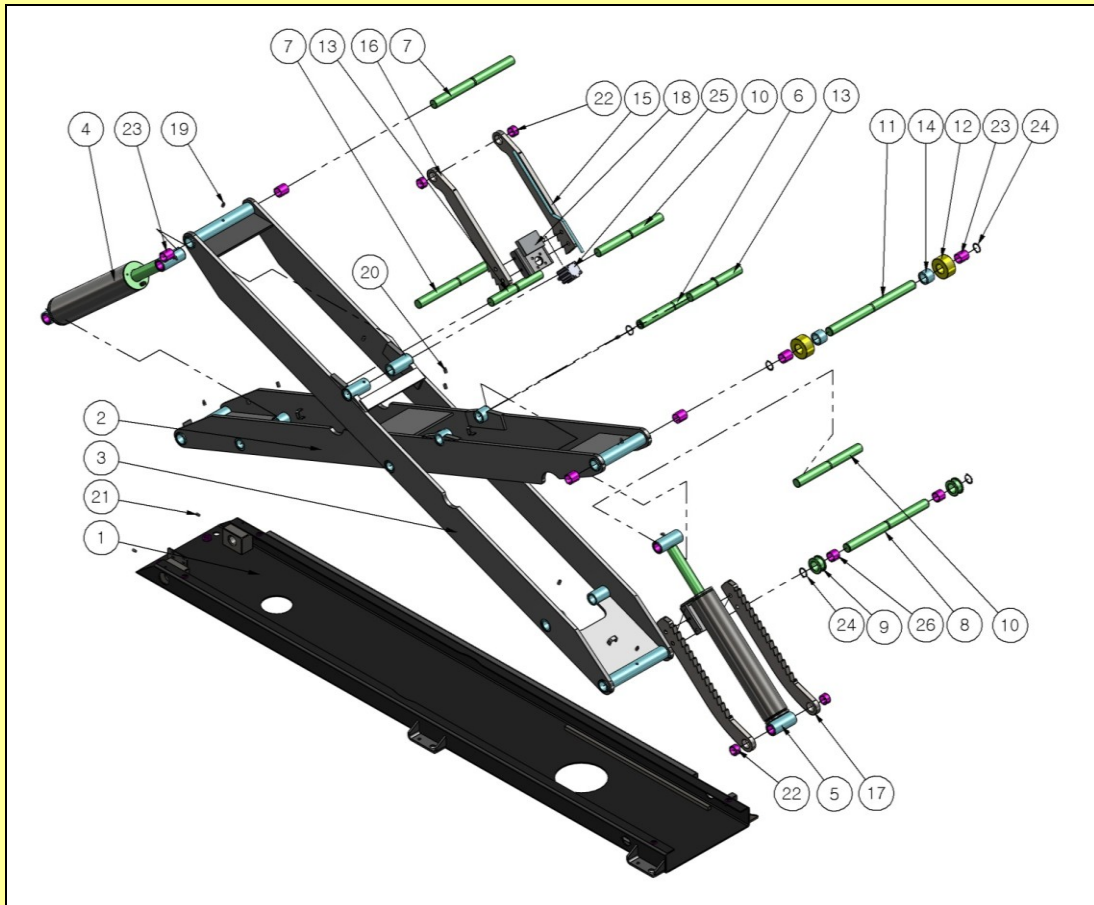
Issue date : 2013-06-05
 Revision :
 Last Revision :



No	Part Name (Description)	Comments	Part No.		Compatibility
			4400X	5500X	
A-1	BASE PLATFORM	Right Side	P3010500	→	5500/4400
		Left Side	P3010600	→	
A-2	PLATFORM-1 LH		D1011500	D3011500	NIL
A-3	PLATFORM-2 RH		D1011900	D3011900	NIL
A-4	CYNCHRONIZE BIM		D3010900	→	5500/4400
A-5	CONNECTING BIM		D3011000	→	
A-6	RAMP		D3012000	→	
A-7	FRONT JACK		E2010000	→	
A-8	REAR JACK		E2020000	→	
A-9	TYRE STOPPER		D3014000	→	
A-10	RAMP CONNECTOR		D3013000	→	
A-11	RAMP CONNECTOR BRACKET		D3011700	→	
A-12	RAMP CONNECTOR PIN		D3010009	→	
A-13	HYDRAULIC HOSE COVER		D3010024	→	
A-14	BASE COVER		D3010014	→	
A-15	SNAP RING		P0901025	→	
A-16	HT HEXAGON BOLT		P01021430	→	
A-17	HT HEXAGON BOLT		P01021225	→	
A-18	ROUND HEAD BOLT		P01070815	→	
A-19	BASE SIDE COVER		C3010012	→	
A-20	TRUSS BOLT		P01090608	→	
A-21	HEXAGON HEAD BOLT		P01012060	→	
A-22	HEXAGON NUT		P0203020	→	

Alignment Scissor Hoist Part B : Base & Link

Issue date :	2013-06-05
Revision :	
Last Revision :	



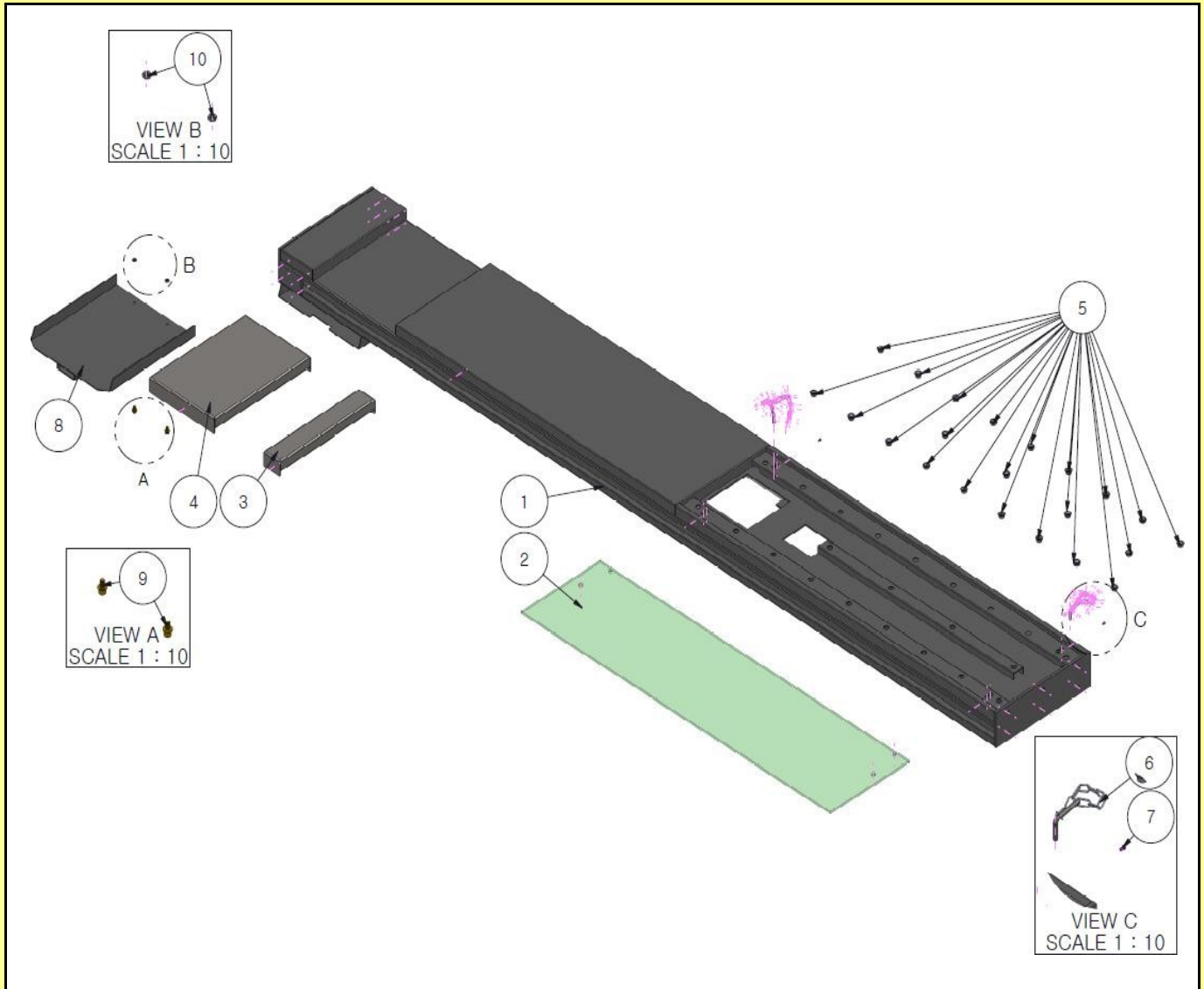
No	Part Name (Description)	Comments	Part No.		Compatibility
			4400X	5500X	
B-1	MAIN BASE		D3010500	➔	5500/4400
B-2	1-LINK		D3010300	➔	
B-3	2-LINK		D3010400	➔	
B-4	DOUBLE ACTING CYLINDER		D3010700	➔	
B-5	SINGLE ACTING CYLINDER		D3010800	➔	
B-6	CENTER PIN		D3010001	➔	
B-7	1LINK PIN		D3010002	➔	
B-8	BOGIE ROLLER PIN		D3010003	➔	
B-9	BOGIE ROLLER		D3010004	➔	
B-10	2-LINK CYLINDER PIN		D3010005	➔	
B-11	UPPER ROLLER PIN		D3010006	➔	
B-12	UPPER ROLLER		D3010007	➔	
B-13	1-LINK CYLINDER PIN		D3010008	➔	
B-14	ROLLER CALA		D3010010	➔	
B-15	UPPER LOCK ARM with Pipe		D3010015-1	➔	
B-16	UPPER LOCK ARM without pipe		D3010015	➔	
B-17	LOWER LOCK ARM (RH/LH)		D3010016	➔	
B-18	T - CYLINDER BRAKET		D3010018	➔	
B-19	GREASE NIPPLE (-)		P2111001	➔	
B-20	SOCKET WRENCH BOLT (M10-20)		P01051020	➔	
B-21	SOCKET WRENCH BOLT (M8-15)		P01050815	➔	
B-22	DU-BUSH / DU3520		P2302009	➔	
B-23	DU-BUSH / DU3540		P2302008	➔	
B-24	SNAP RING		P0901035	➔	
B-25	COMPACT CYLINDER		P2207002	➔	
B-26	DU-BUSH		P2302004	➔	

Alignment Scissor Hoist Part C : Platform

Issue date : 2013-06-05

Revision :

Last Revision :



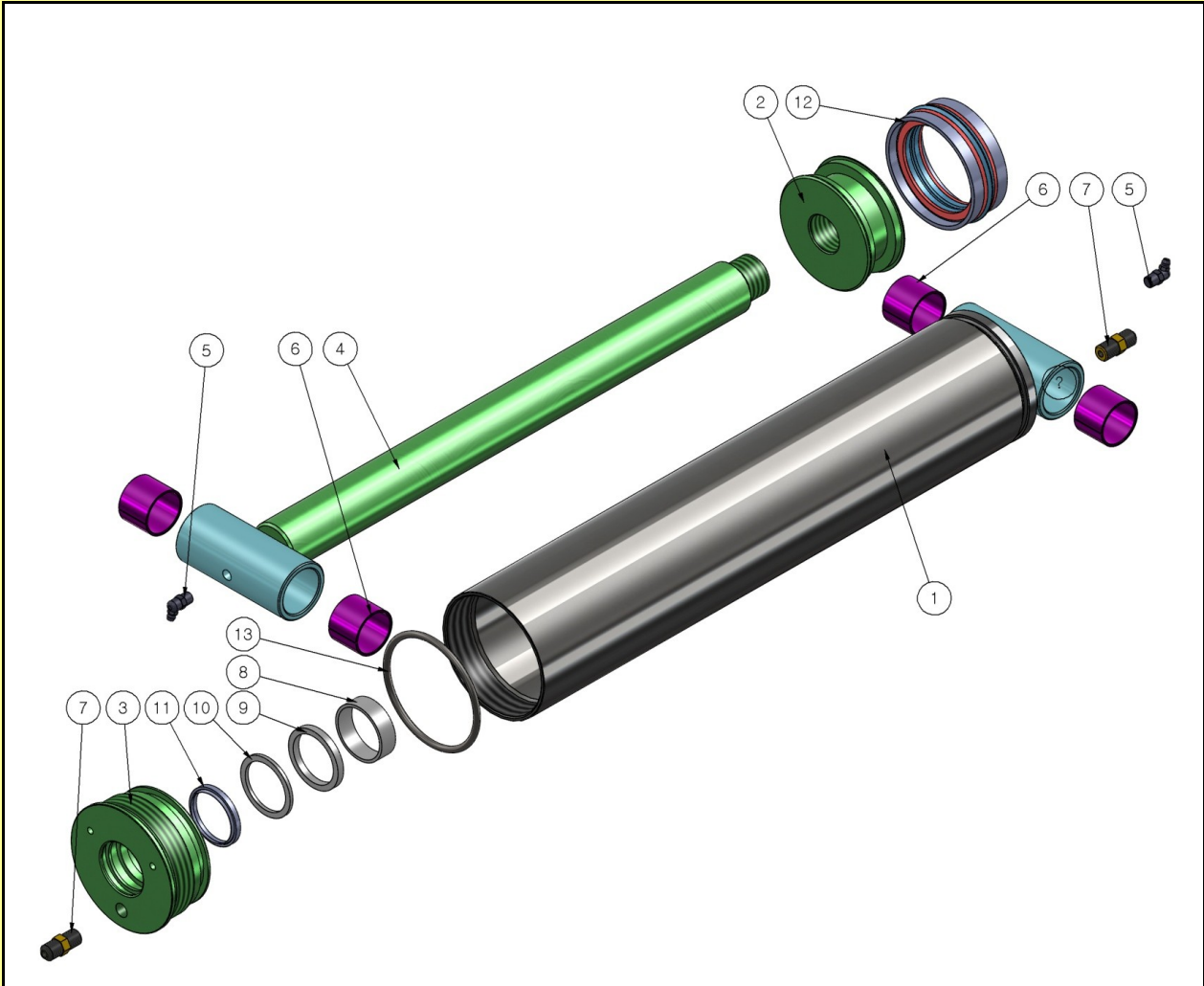
No	Part Name (Description)	Comments	Part No.		Compatibility
			4400X	5500X	
C-1	PLATFORM	RH	D1011900	D3011900	NIL
		LH	D1011500	D3011500	
C-2	SLIP PLATE		D3010011	→	5500/4400
C-3	TURN TABLE COVER #1		D3010012	→	
C-4	TURN TABLE COVER #2		D3010013	→	
C-5	BALL BEARING		P2301001	→	
C-6	CHAIN		P0908002	→	
C-7	SLIP PLATE FIXATION HOOK		D3010021	→	
C-8	DRAWER		D3011600	→	
C-9	WRENCH BOLT		P01031020	→	
C-10	NUT		P0201010	→	

Alignment Scissor Hoist Part D : Two Way Cylinder

Issue date : 2013-06-05

Revision :

Last Revision :



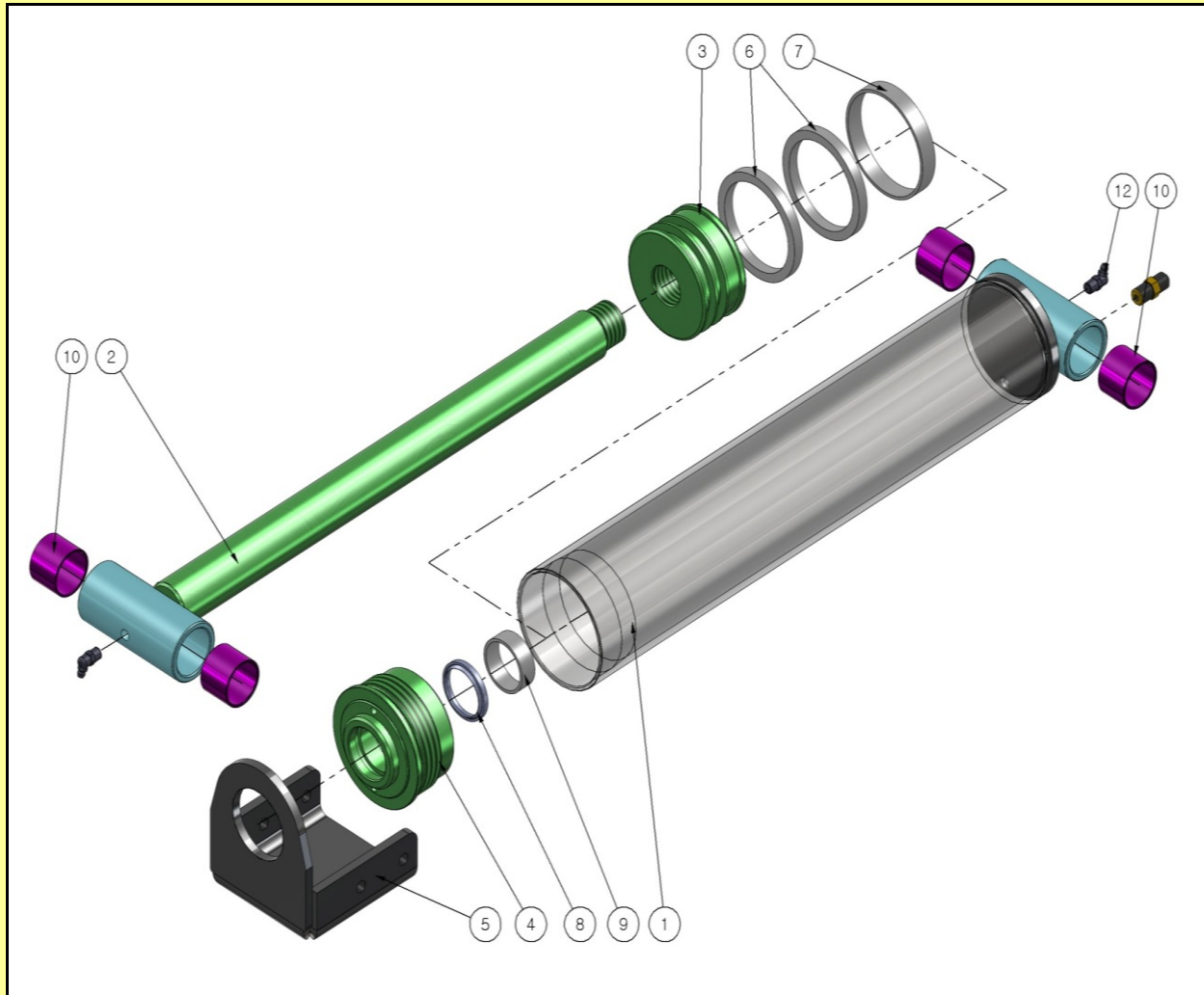
No	Part Name (Description)	Comments	Part No.		Compatibility
			4400X	5500X	
D-1	HONING PIPE		D3010701	→	5500/4400
D-2	DOUBLE PISTON		D3010702	→	
D-3	DOUBLE HEAD COVER		D3010703	→	
D-4	DOUBLE LOAD CYLINDER		D3010705	→	
D-5	GREASE NIPPLE (45)		P2112001	→	
D-6	DU-BUSH / DU3530		P2302004	→	
D-7	HYDRAULIC CONNECTING NIPPLE (1)		P2105001	→	
D-8	WEAR RING / $\varnothing 45 \times 50-15L$		P2003011	→	
D-9	U-PACKING / $\varnothing 43.7$		P2001002	→	
D-10	BACKUP RING / $\varnothing 43.7$		P2001020	→	
D-11	DUST SEAL / $A \varnothing 43.7-5L$		P2004005	→	
D-12	DOUBLE PACKING SET		P2007009	→	
D-13	$\varnothing 90$ O-RING		P2005004	→	
D-set-1	DOUBLE CYLINDER SEAL KIT for 1 cylinder		D1010710	→	
D-set-2	DOUBLE CYLINDER Set (1 cylinder only)	5,7 not included	D3010700	→	

Alignment Scissor Hoist Part E : One Way Cylinder

Issue date : 2013-06-05

Revision :

Last Revision :

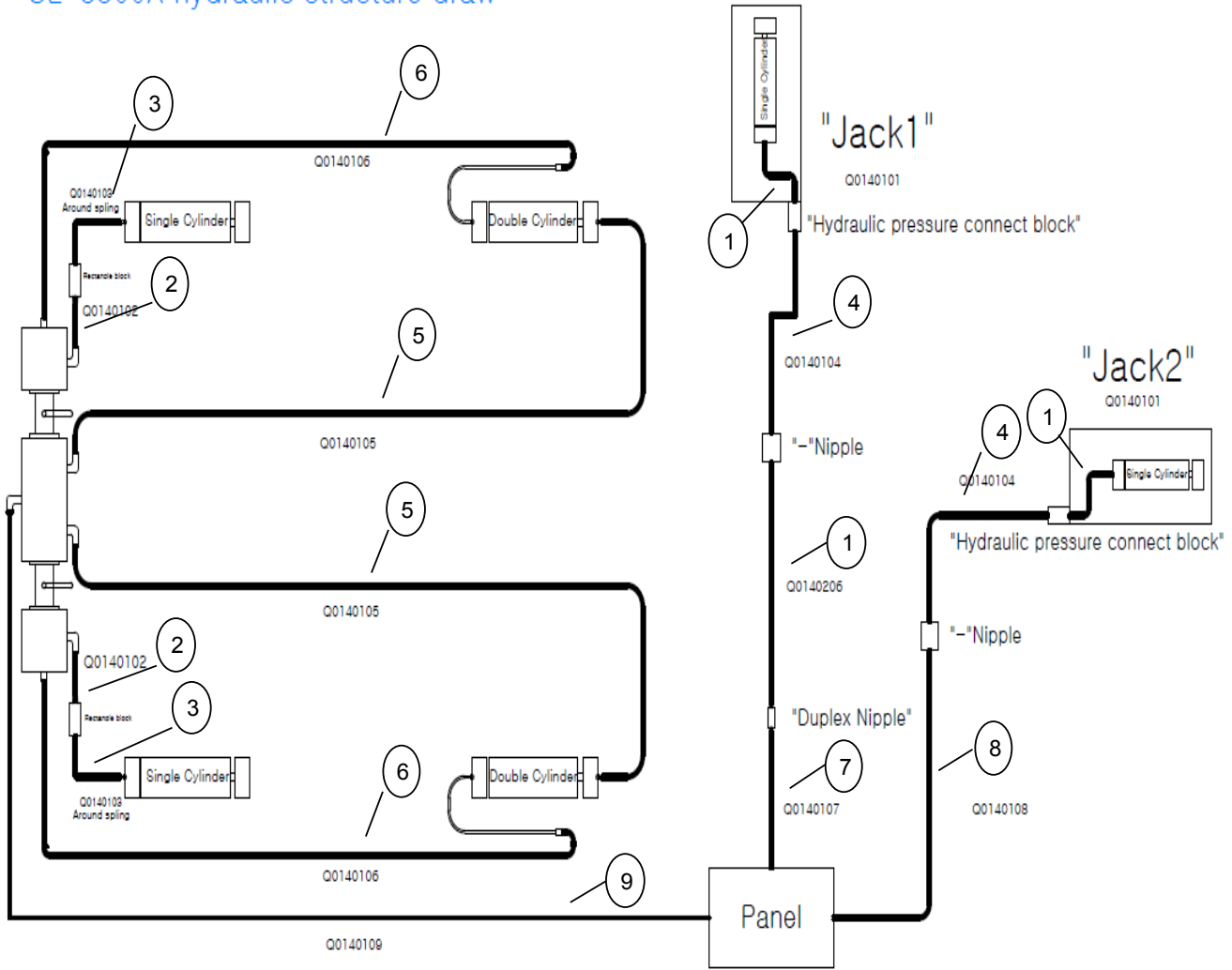


No	Part Name (Description)	Comments	Part No.		Compatibility
			4400X	5500X	
E-1	HONING PIPE		D3010801	→	5500/4400
E-2	SINGLE LOAD CYLINDER		D3010805	→	
E-3	SINGLE PISTON		D3010802	→	
E-4	SINGLE HEAD COVER		D3010803	→	
E-5	SUB LOCKING PLATE		D3010017	→	
E-6	U-PACKING $\phi 90-\phi 75$		P2002014	→	
E-7	$\phi 90$ WEAR RING		P2003007	→	
E-8	DUST SEAL AY $\phi 40-6.5L$		P2004002	→	
E-9	WEAR RING $\phi 40*\phi 45-15L$		P2003010	→	
E-10	DU-BUSH / DU3530		P2302004	→	
E-11	NIPPLE		P2105001	→	
E-12	GREASE NIPPLE (45)		P2112001	→	
D-set-1	Single CYLINDER SEAL KIT for 1 cylinder		D1010820	→	
D-set-2	Single CYLINDER Set (1 cylinder only)	11,12 not included	D3010800	→	

Alignment Scissor Hoist Part F : Hydraulic Hoses

Issue date :	2013-06-05
Revision :	
Last Revision :	

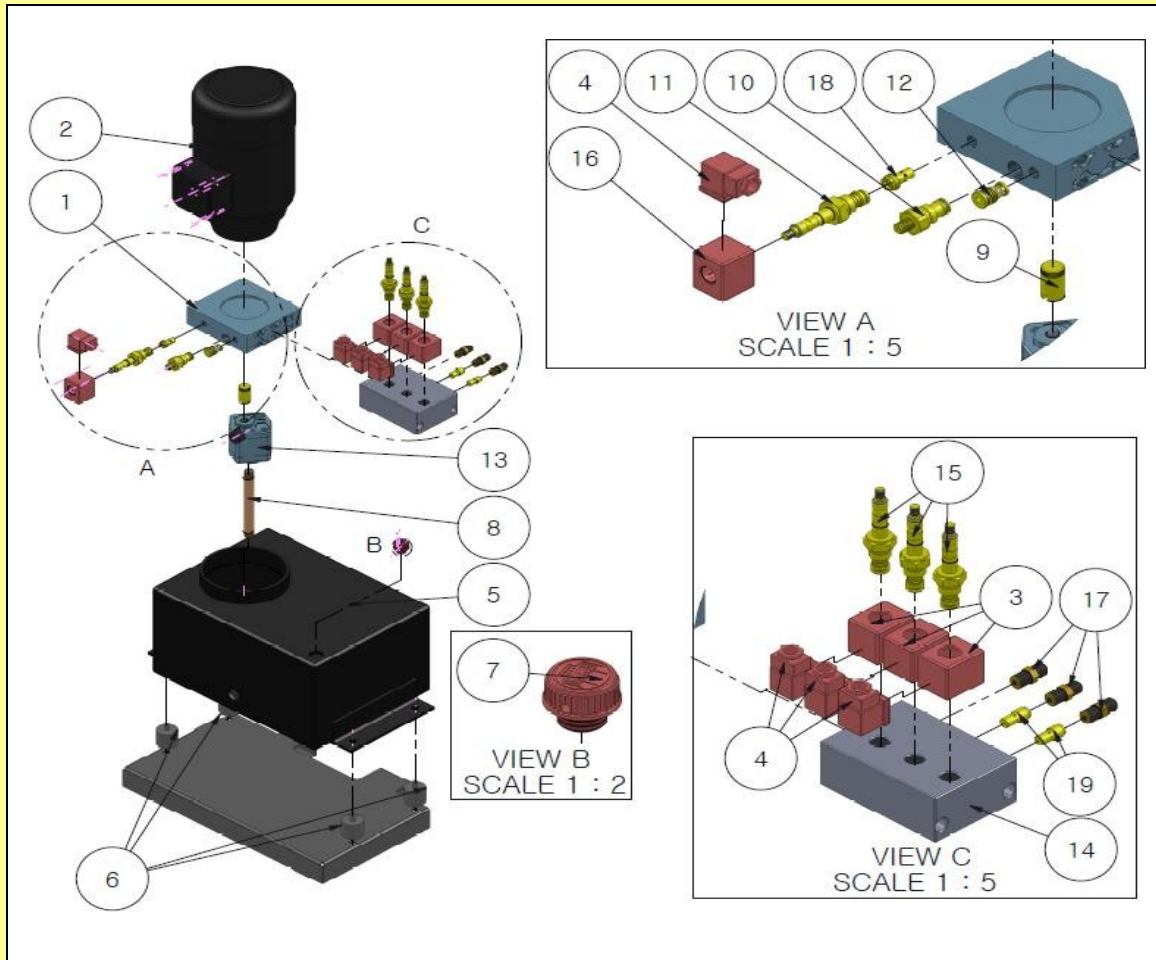
SL-5500X hydraulic structure draw



No	Part Name (Description)	Qty per hoist	Part No.		Compatibility
			4400X	5500X	
E-1	hydraulic hose 1 (1/4*1W*2000 904/904)	2	Q0140101	→	5500/4400
F-2	hydraulic hose 2 (5/16*1W*580 4/4)	2	Q0140102	→	
F-3	hydraulic hose 3 (5/16*1W*1100 4/4 SP)	2	Q0140103	→	
F-4	hydraulic hose 4 (5/16*1W*2500 4/904)	2	Q0140104	→	
F-5	hydraulic hose 5 (5/16*1W*3750 4/4)	2	Q0140105	→	
F-6	hydraulic hose 6 (5/16*1W*4050 4/4)	2	Q0140106	→	
F-7	hydraulic hose 7 (5/16*1W*5000 4/904)	1	Q0140107	→	
F-8	hydraulic hose 8 (5/16*1W*5000 904/904)	1	Q0140108	→	
F-9	hydraulic hose 9 (5/16*1W*8400 4/904)	1	Q0140109	→	
F-set-1	hydraulic hose set		Q0140100	→	

Alignment Scissor Hoist Part G : Powerpack

Issue date : 2013-06-05
 Revision :
 Last Revision :



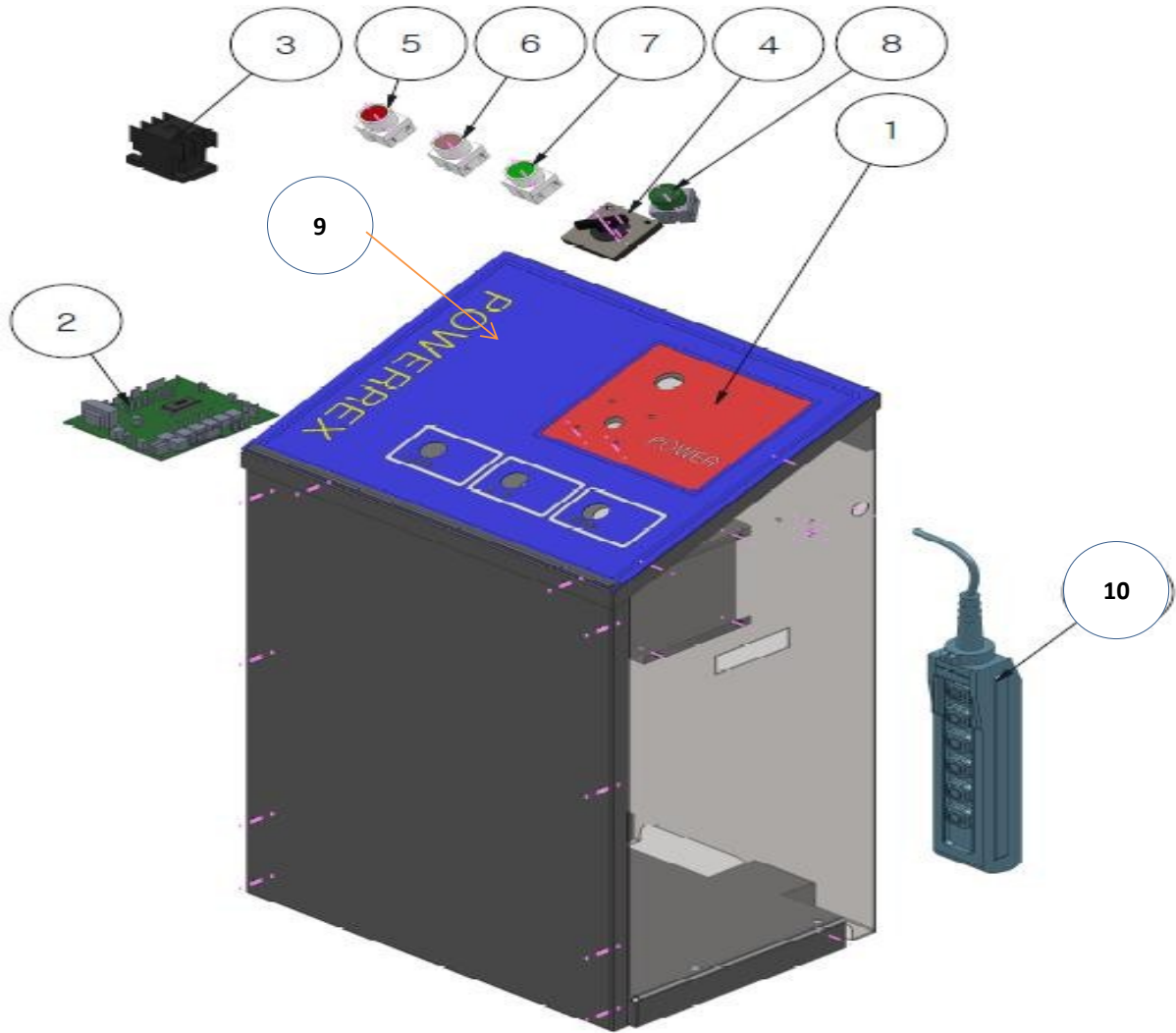
No	Part Name (Description)	Comments	Part No.		Compatibility
			4400X	5500X	
G-1	MANIFOLD		Q0202037	→	5500/4400
G-2	MOTOR	1 Ph 2.5 HP	Q0202004	→	
		3 Ph 2.0 HP	Q0202005	→	
G-3	AC-SOLENOID COIL		Q0202002	→	
G-4	AC-SOLENOID COIL CONNECTOR		Q0202003	→	
G-5	OIL TANK		Q0202010	→	
G-6	CUSHION RUBBER		Q0302001	→	
G-7	OIL CAP		Q0202012	→	
G-8	SUCTION TUBE		Q0202042	→	
G-9	COUPLING		Q0202041	→	
G-10	RELIEF VALVE		Q0210402	→	
G-11	ONE-WAY CHECK VALE		Q0202001	→	
G-12	CHECK VALVE		Q0210405	→	
G-13	GEAR PUMP	3.7cc	Q0202019	→	
G-14	4POST BLOCK		Q0202026	→	
G-15	TWO-WAY CHECK VALE		Q0202015	→	
G-16	DC-SOLENOID COIL		Q0202016	→	
G-17	NIPPLE "1"		P2105001	→	
G-18	MAIN ORIFIICE		Q0210407	→	
G-19	JACK ORIFIICE		Q0210406	→	

Alignment Scissor Hoist Part H : Control Box

Issue date : 2013-06-05

Revision :

Last Revision :



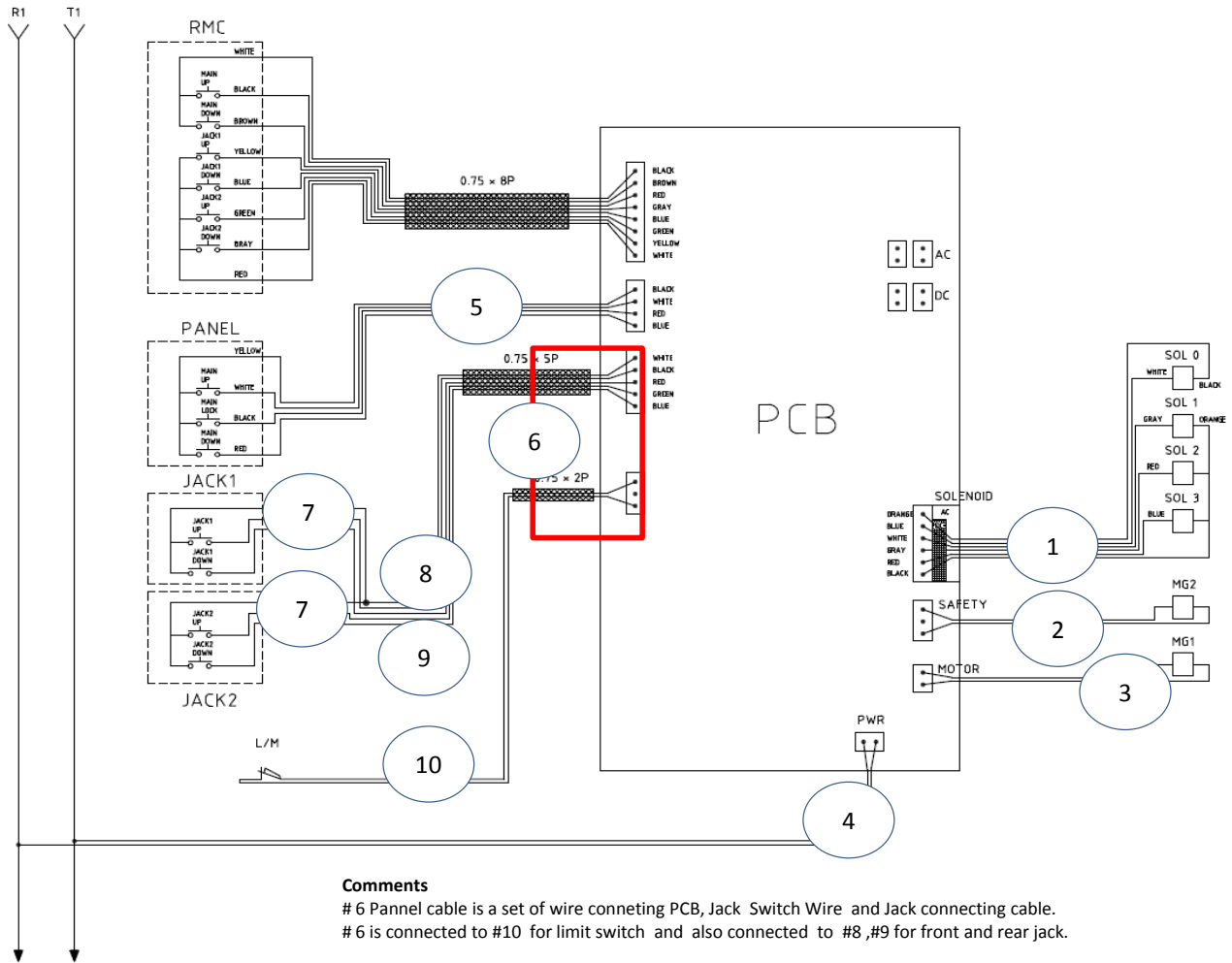
No	Part Name (Description)	Comments	Part No.		Compatibility
			4400X	5500X	
H-1	CONTROL BOX CASE		G1000003	➔	4400/5500
H-2	PCB		P1402005	➔	
H-3	MAGNETIC CONTACTOR		P1205001	➔	
H-4	CAM S/W		P1201001	➔	
H-5	UP BUTTON		P1202001	➔	
H-6	DOWN BUTTON		P1202002	➔	
H-7	LOCK BUTTON		P1202006	➔	
H-8	POWER LAMP		P1901001	➔	
H-9	Cover Film		Q1016009	➔	
H-10	6 BUTTON REMOTE CONTROLLER	w/cable	B1040100	➔	
H-SET-1	CONTROL BOX SET (WITHOUT POWERPACK)	#1~#9	D3190100	➔	

Alignment Scissor Hoist Part I : Electric Wires

Issue date : 2013-06-05

Revision :

Last Revision :



Comments

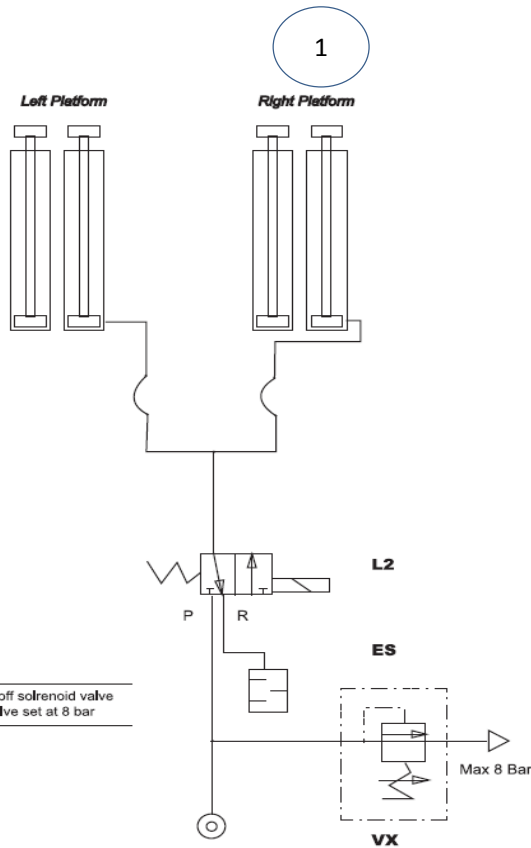
6 Panel cable is a set of wire connecting PCB, Jack Switch Wire and Jack connecting cable.
 # 6 is connected to #10 for limit switch and also connected to #8, #9 for front and rear jack.

#8, #9 is an extension cable connecting #7 (Jack cable) and #6 (panel cable).
 #8 and #9 include the same function but length is different.

No	Part Name (Description)	Comments	Part No.		Compatibility
			4400X	5500X	
I-1	CABLES SET TO SOLENOIDS, POWERPACK		SSC4455	➔	5500/4400
I-2	CABLES TO AIR SOLENOID, SAFETY DEVICE		SAS4455	➔	
I-3	CABLES TO MOTOR, POWERPACK		SMC4455	➔	
I-4	POWERCABLE TO CAMSWITCH		SCS4455	➔	
I-5	CABLES SET TO BUTTONS (UP, DOWN, LOCK)		SCB4455	➔	
I-6	PANEL CABLE(0.75*8C*6200)	1 PCS, 8P	P1160901	➔	
I-7	JACK CABLE(0.75*3C*5700)	2 PCS	P1101021	➔	
I-8	JACK CONNECTING CABLE (L:0.75*3C*6600)	1 PCS	P1160903	➔	
I-9	JACK CONNECTING CABLE (S:0.75*3C*3300)	1 PCS	P1160902	➔	
I-10	LIMIT CABLE(0.75*2C*200)	1 PCS	P1101022	➔	

Alignment Scissor Hoist Part J : OTHERS (1)

Issue date :	2013-06-05
Revision :	
Last Revision :	



No	Part Name (Description)	Comments	Part No.		Compatibility
			4400X	5500X	
J-1	AIR HOSE (6Φ, BLUE)	PER 100M ROLL	P2205005	→	5500/4400
J-2	CABLE BEAR	PER 1M ROLL	P0910001	→	
J-3	CABLE BEAR BRACKET	PCS	P0910002	→	
Air hose can be shipped as a roll of 100m only. You can adjust length as you need according to the drawing above.					