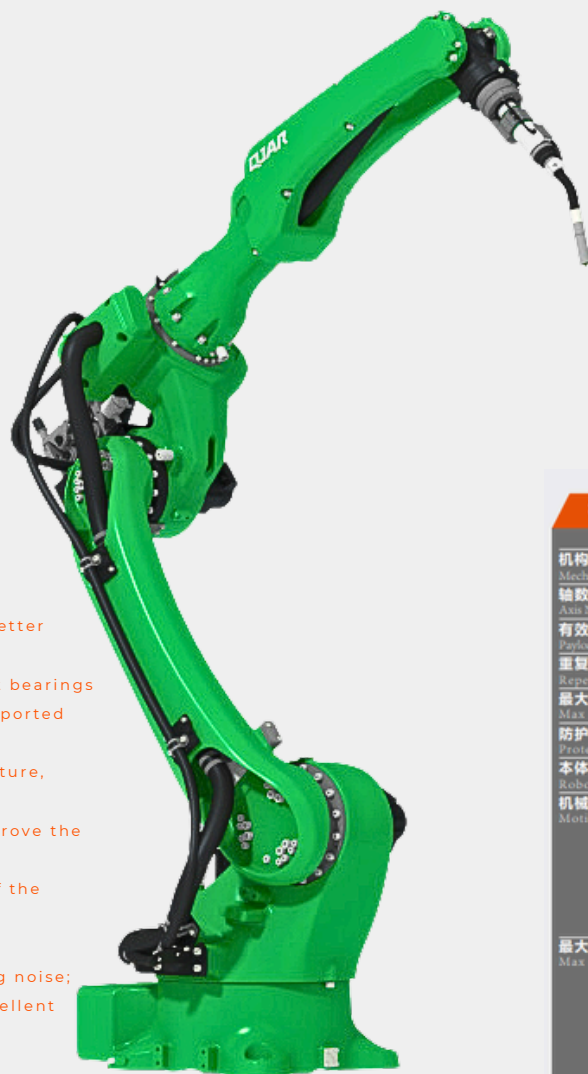


# QIAR

**ADVANCED  
ROBOTICS  
ENGINEERING**

## QJR6-2000H

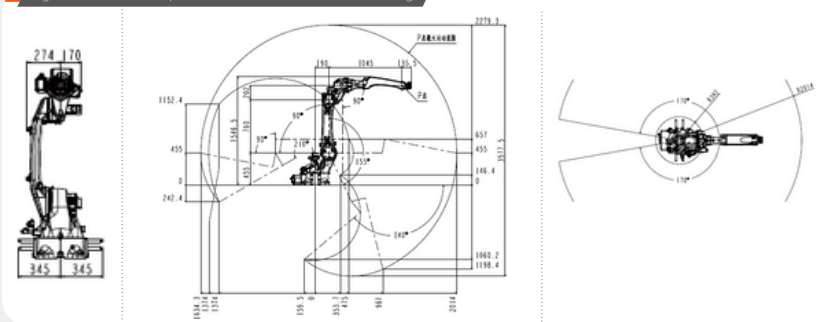
INDUSTRIAL  
ROBOT



- Enhanced reducer with large reduction ratio design, better control the accuracy;
  - 4th axis hollow structure used double angular contact bearings to replace the traditional structure. Improve joint supported rigidity;
  - 4, 6 axis with special gear clearance adjustment structure, higher joint precision;
  - The wrist is changed into a U-shaped structure to improve the stiffness;
- With the above characteristics, the motion stability of the lengthened welding robot is greatly optimized;
- The wrist is shortened to improve flexibility;
  - Special wrist noise reduction structure, lower running noise;
  - New appearance with new spray painting process, excellent sensory effect.

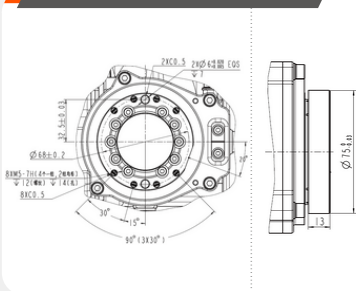
机器人外形尺寸和最大动作范围图

Figure Of Robot Shape Size And Maximum Motion Range



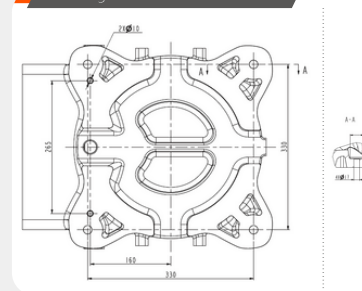
机器人末端安装尺寸图

Dimension Chart Of Robot End - Mounted



机器人底座安装尺寸图

Mounting Dimensions Of Robot Base



机器人基本规格表

Technical Specifications Of Robot

机构形态 Mechanism	垂直多关节 Vertical multi-joint robot	允许扭矩 Allowable Torque	J4 8.81 N·m
轴数 Axis Number	6	J5 8.81 N·m	J6 3.14 N·m
有效载荷 Payload	6kg	惯性力矩 Inertia Moment	J4 0.2 kg·m <sup>2</sup>
重复定位精度 Repeat Positioning	±0.08mm	J5 0.2 kg·m <sup>2</sup>	J6 0.03 kg·m <sup>2</sup>
最大臂展 Max Armspan	2014mm	安装环境 Installation Environment	温度 TEMP 0~45 °C
防护等级 Protection Degree	IP30	湿度 HUM 20%~80% RH (不结露) No condensation	振动 NVH < 4.9m/s <sup>2</sup> (0.5G)
本体重量 Robot Body Weight	230kg	其他 Others 避免易燃、腐蚀性气体和液体; Avoid flammable, corrosive gases and liquids; 避免接触水、油、粉尘等; Avoid contact with water, oil, dust, etc.;	勿接近电器噪音源。 Do not approach electrical noise source.
机械限位范围 Motion Range	J1 ±175°	电源容量 Power Capacity	3.4kVA
	J2 +159°, -95°	电控柜尺寸 Cabinet Size	580*650*960mm
	J3 +95°, -125°	电控柜重量 Cabinet Weight	130kg
	J4 ±183°	电源 Source	三相四线AC380V +10% -10%
	J5 +129°, -126°	安装方式 Installation	地面、吊顶 Wall、Ceiling
	J6 ±360°		
最大速度 Max Speed	J1 189°/s		
	J2 189°/s		
	J3 189°/s		
	J4 360°/s		
	J5 320°/s		
	J6 974°/s		