

EC6 SERIES EGG COOKER



Prince Castle EC 6 series egg cooker provides restaurant a quick and professional solution for egg products. With different lid and egg ring grid, EC-6 is able to cook round & rectangle shape egg.

The super precise heating platen temperature control and steam amount created during cooking provide a consistent cooking result from cycle to cycle. Eggs are cooked in less than 3 minutes with appealing shape and great taste.

The PCB control keyboard with programmed setting makes operation easier, built in buzzer reminds operator when eggs are ready. Lid, egg ring and drip trays are all easily removable without any tools for ease of cleaning.

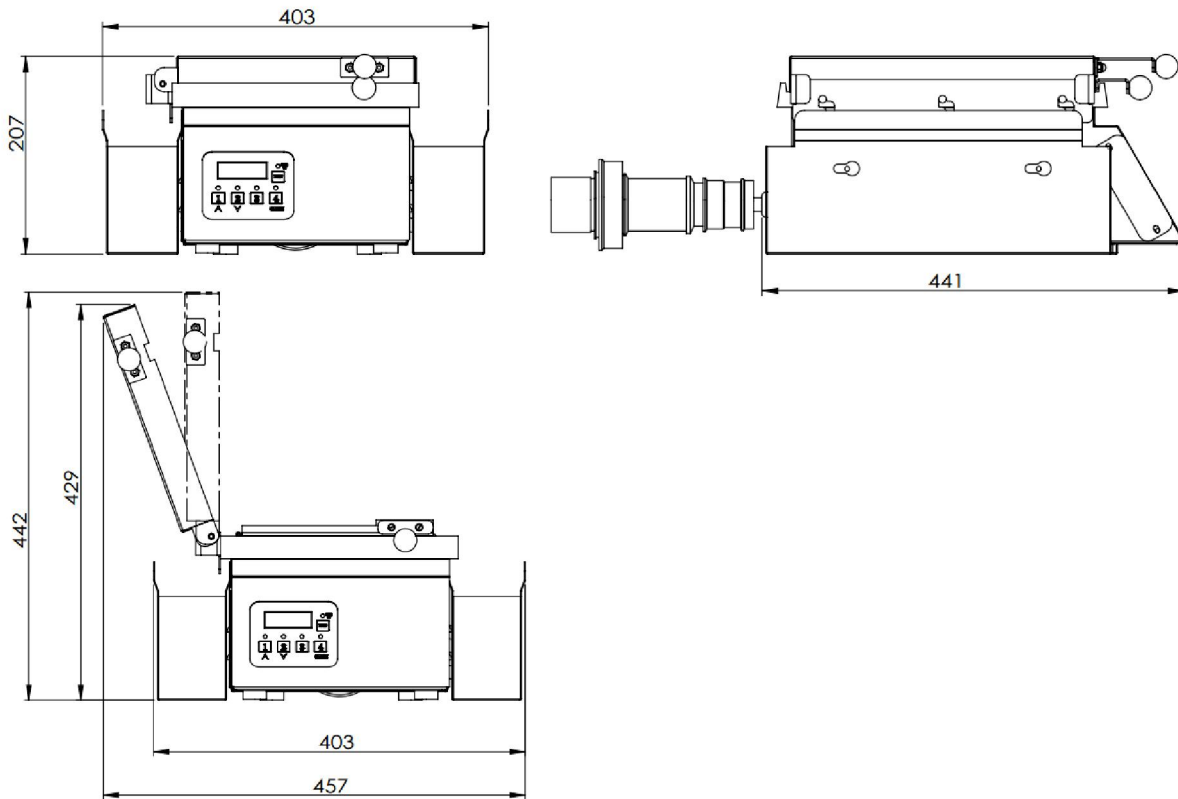
STANDARD FEATURES:

- Cooks up to 6 eggs per cycle
- Compact design makes efficient use of counter space
- Temperature & time preset at factory.
- Round & rectangle shape egg rings available, customized egg shape possible.
- Electrical temperature control provide more consistent Platen temperature & cooking result.
- Non-stick egg ring and detachable design for easy cleaning
- Robust stainless steel structure for commercial use.
- 1 year labor & parts warranty



EC6 SERIES EGG COOKER

SPECIFICATIONS :



EC6 SERIES EGG COOKER

Designs and specifications are subject to change without notice

DIMENSIONS:

Model Number	Width In (cm)	Height In (cm)	Depth In (cm)	Shipping Weight Lb (kg)	Shipping Size Cu.ft (cu.m)
EC6 Series (Closed)	15.86(40.3)	8.15 (20.7)	17.36(44.1)	37.5(17)	5.4(0.135)
EC6 Series (Open)	17.99(45.7)	16.89(42.9)	17.36(44.1)	37.5(17)	5.4(0.135)

ELECTRICAL:

Model Number	Volts (V)	Frequency (Hz)	Power (Watts)	Current (Amp)	Plug
EC6 Series (Closed)	208-230	50/60	2050-2500	10.87	IEC 309

CERTIFICATION:

