

FR560F-HD

LOVOL

ALFA
SERIES



The LOVOL 56 tonne ALFA series excavator features a Deutz Weichai engine with the renowned, reliable and efficient Linde hydraulic system. Pilot oil operated joysticks for precision and control with less electrical items. Climate controlled air conditioning. Lined, sealed and silenced cab with air suspension seat and ergonomic layout for maximum operator comfort.

With the toughest heavy duty construction; the LOVOL FR560F ALFA series is designed and developed for reliability and performance.

Features

- Deutz Weichai WP13H engine
- Linde hydraulic system
- Luxury lined and sealed A/C cab
- Walk platform with handrails
- 5 year/10,000hr Linde hydraulic warranty
- 5 year/5,000hr engine warranty
- Hammer piping/Auxiliary hydraulics

Options

- Extra Auxiliary hydraulics
- Windscreen glass protection
- Quick hitch
- Auto greaser



1300 Equip U (378 478)
www.equipmentspecialists.com.au

FR560F-HD

LOVOL



ROP's & FOP's CERTIFIED CABIN

Most ergonomic layout with luxury air suspension seat.

LINDE HYDRAULIC SYSTEM

Highest quality and precise control

DEUTZ WEICHAI ENGINE

No Adblue /DPF/EGR.

BOOM STRENGTH

All boom and dipper arm attachment points are gusseted with extreme strength.

TRACKS

Increased brace capacity, made to withstand harsh environments with high-strength, anti-wear steel and outstanding grip.

REINFORCED CHASSIS

Shock-resistant, heavy duty swing platform reduces stress by more than 40%



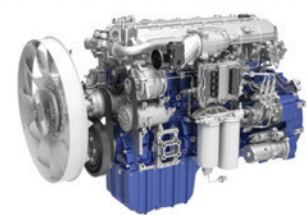
WALK PLATFORM WITH HANDRAILS



REMOTE MOUNTED FILTERS



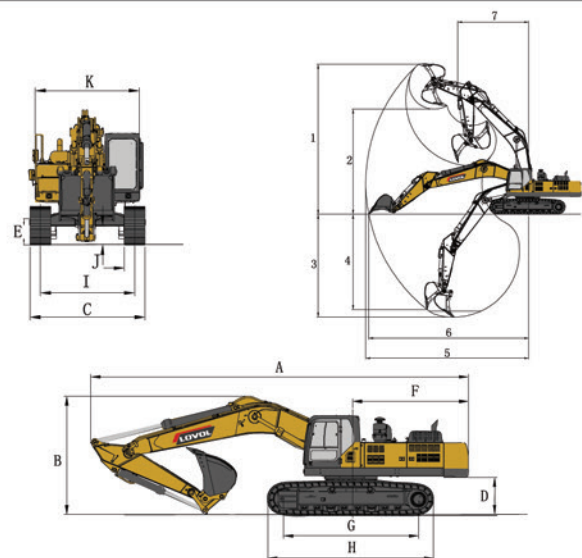
DEUTZ WEICHAI WP13H ENGINE



FR560F-HD Specifications

Item	Units	Value
Operational Weight	kg	53000
Engine Brand	6 Cylinder	Deutz Weichai
Engine Power/speed	kw/rpm	316/1900
Hydraulic flow	L/min	423.5×2
Bucket digging force	kN	320
Dipper arm force	kN	250
Max. digging radius	mm	11544
Max digging depth	mm	7172
Max unloading Height	mm	7345
Max. digging height	mm	10812
Machine width	mm	3340
Machine height	mm	3907
Travel speed (f/s)	km/h	5.5/3.4
Swing speed	rpm	7.8

Dimensions



Genuine Manufacturers Warranty Included. Specifications may change without notice. Photos are an indication only.



1300 Equip U (378 478)
www.equipmentspecialists.com.au