



Body Colour ● ●

**Application**

- Oil Exploration/ Refining
- Chemical Processing Facility
- Military Base
- Petro/Gas Processing Plant

**Electrical Parameters**

MODEL	ETG-EXFORTTW				
Power	2 x 3W				
Input voltage	AC 100-277V				
Ex type	Ex mb ib IIC T6 Gb				
Cable Entry	M25, M20, NPT3/4", G3/4"				
Luminous Flux (lm)	>50				
CCT	2700-3300K / 3700-4300K / 5400-7000K				
Type	Non-maintained				
Temp Classification	T6				
IP Rating	IP66				
Ambient Temperature	-20°C ~ 40°C				
Net Weight	2.3Kg				
Dimensions (LWH)	229 x 96 x 233 mm				
Lifespan	>120,000h (L70)				
Warranty	3 Years (Battery not included)				
Battery	Rated Capacity	Type	Lifespan	Light duration	Charging time
	1.4 Ah	Ni-Cd	300 Cycles	>120 min	12 Hours

**Ex FORTITUDE**

**TWIN SPOT EMERGENCY LIGHT**

- + Energy efficient LED technology
- + Robust light alloy housing
- + Self-contained battery unit
- + Adjustable lamp heads
- + Over charge and over discharge protection
- + Nickel Cadmium Battery with 300 life cycles

**Certifications & Compliance**

+ II 2 G Ex d IIC T6 Gb

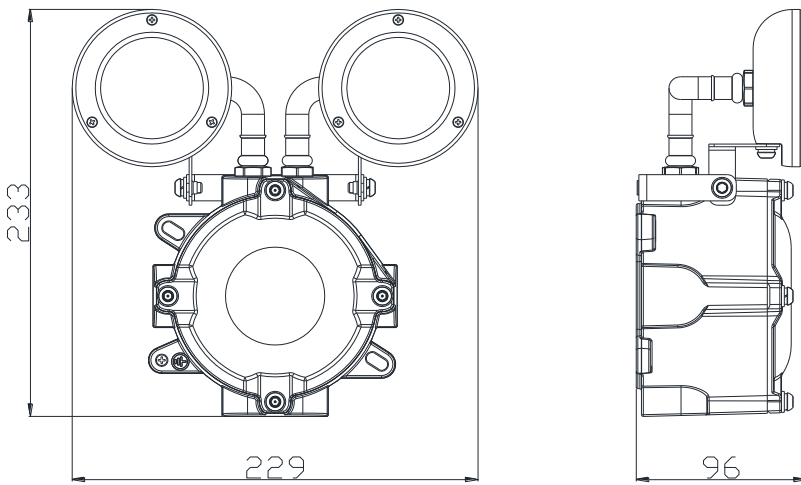




### Lifespan Comparison

	Earthlight Fortitude Twin Spot	Metal Halide	High Pressure Sodium
Luminaire lifespan (hrs)	>50,000	8,000	20,000
L70	>120,000	15,000	20,000

### Dimensions



### Mounting Options

