



## **BulletPro STD6246TAD-H2 2 post clear floor lift 4.6 ton**

Can be installed  
symmetrically or  
asymmetrically

Overall hoist height 3862  
mm

Lifting capacity 4600 kg

Manual lock release for  
unlock and lower down

Remote control for lock and  
lift up

Ultra low lift pad just 88 mm

Only 100 mm concrete depth  
required

**Great Value for Money**

### **Feature:**

- The posts can installed asymmetrical (open car doors wider). or symmetric (more drive through width between the columns).
- The post design incorporates special Double S bends to increase column strength
- Top bar and top cross bar can be installed in narrow or wide, high or low setting
- 3 stage telescoping front arms and 2 stage rears arms,

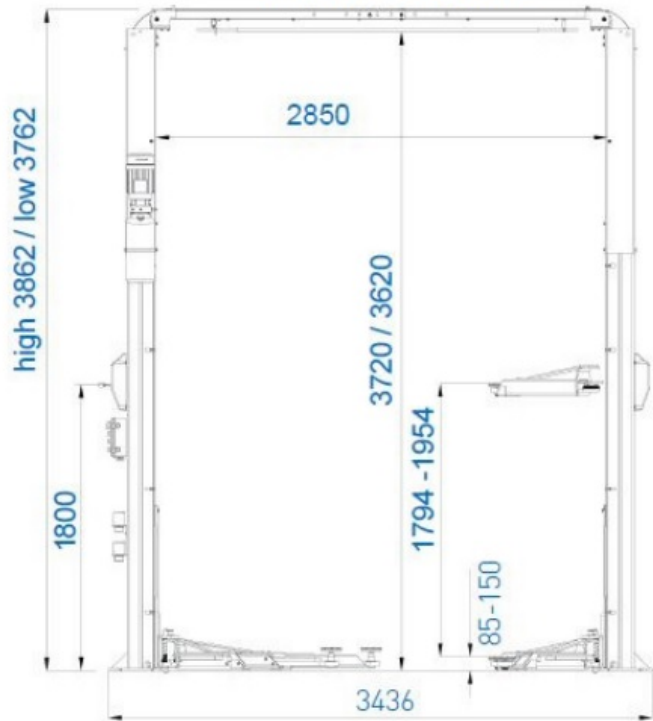
- Comes with 80 mm load arm adaptors and holders, remote control for up and lock, rubber protectors mounted to the carriage , rubber column guards, remote control, tool trays on arms.
- Standard 3 phase or optional single phase motor
- The motor can be fitted in a high up position on the front of the post (out of the way) to save working space or close to wall

## Spec

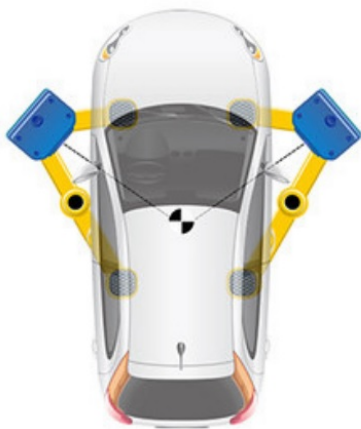
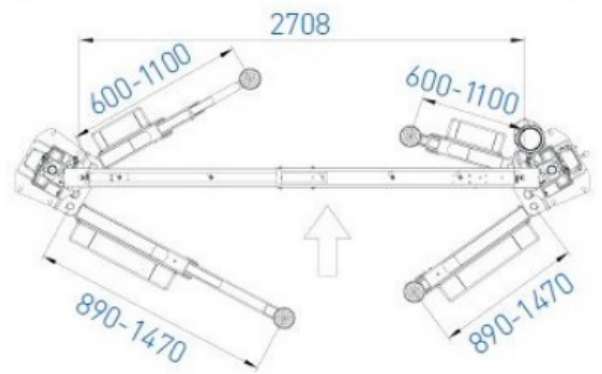
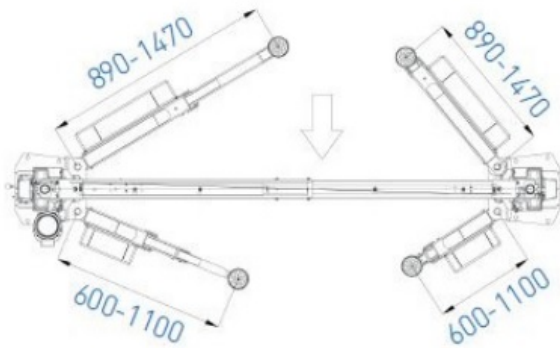
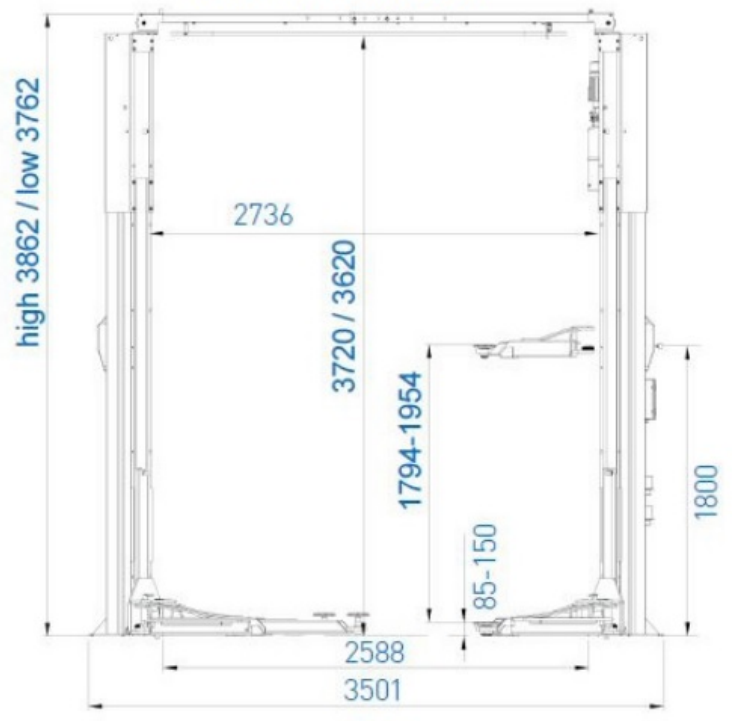
Lifting Capacity	4600kg
Max Lift height	1794 mm- 1938 mm
Min. height	88mm
Motor standard: 3 phase 3.0kw 4 speed 1400 rpm or optional 240V 1 phase 2.2kw 2 speed 2800 rpm	
Weight	750 kg
Overall height	3862 mm
Overall width - symmetrical install position	3436 mm
Overall width - asymmetrical install position	3501 mm
Lifting up time	45-58 sec
Noise level	75dB
Operation temperature	-10 to 40 °C

# Dimension

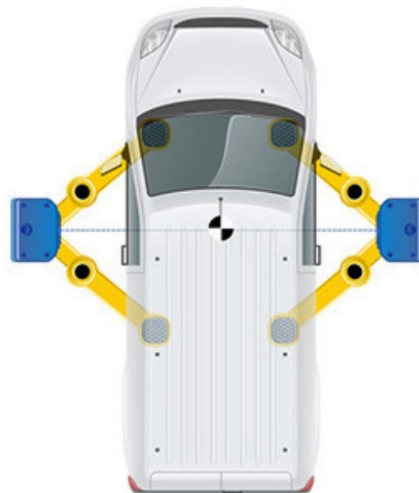
## SYMMETRICAL



## ASYMMETRICAL



ASYMMETRIC LIFT



SYMMETRIC LIFT

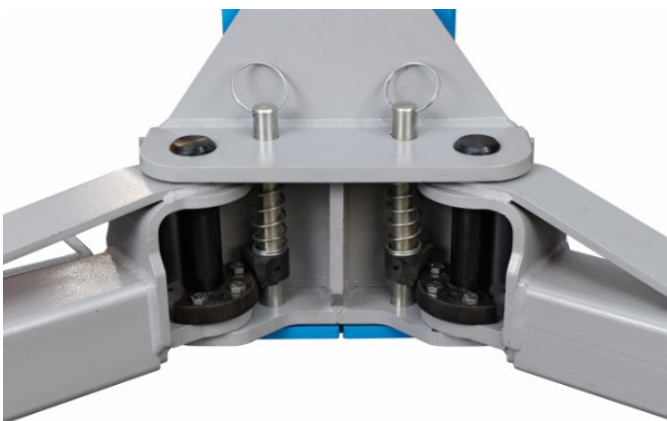
## Photos



2 stage load stool with extension adaptors & holder

Quality pump and motor.

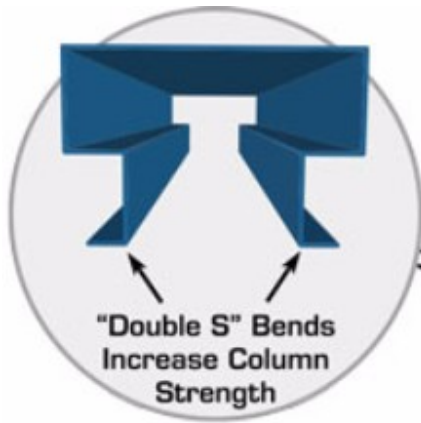
Remote control



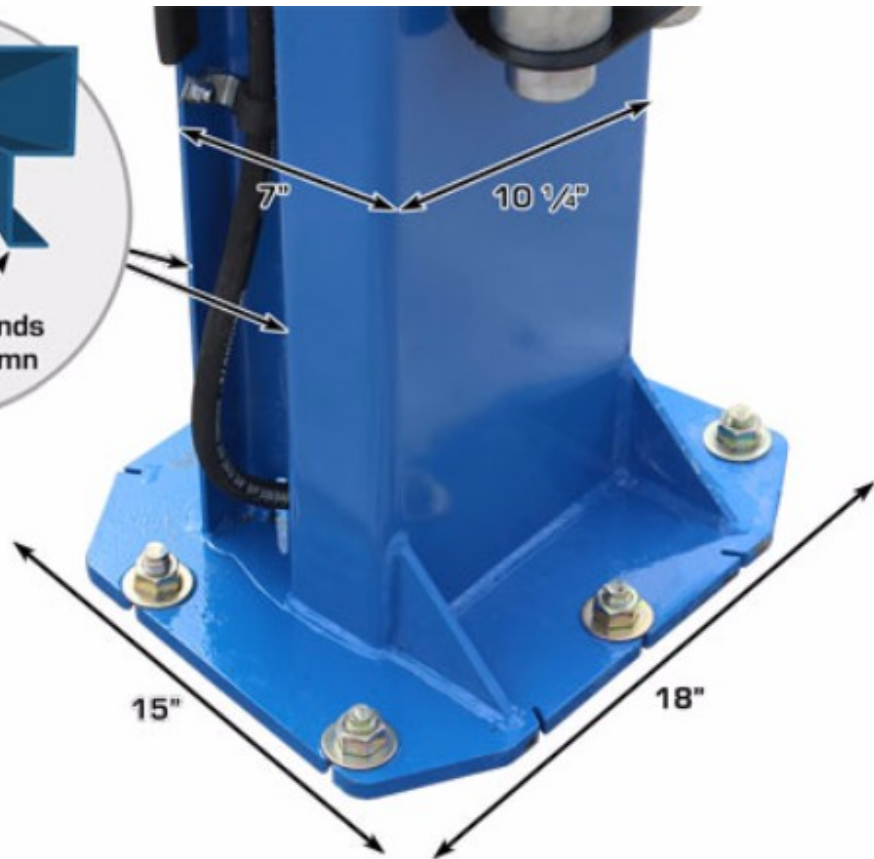
"Double S" Column Design Increases Column Strength

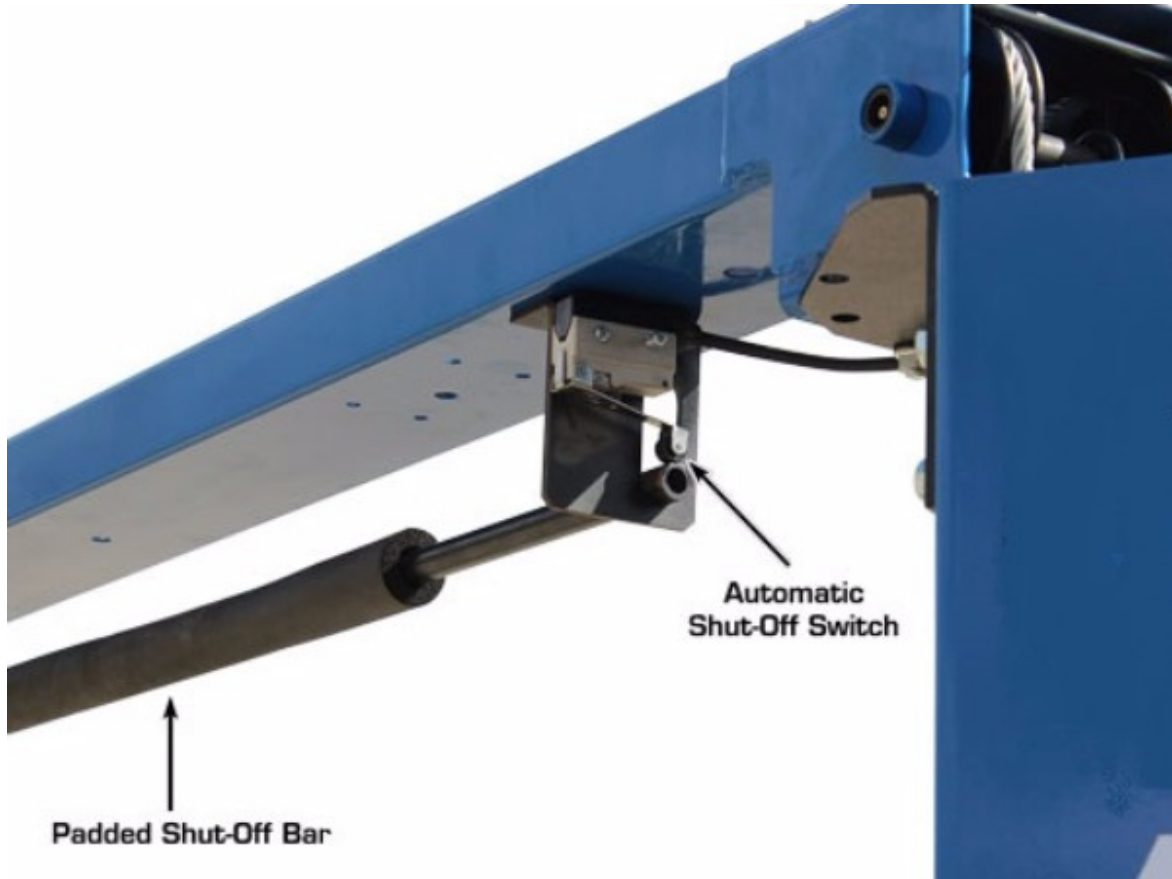
The Door Guard Protects Your Door When Entering And Exiting The Vehicle

Truck Adapters And Truck Adapter Holder

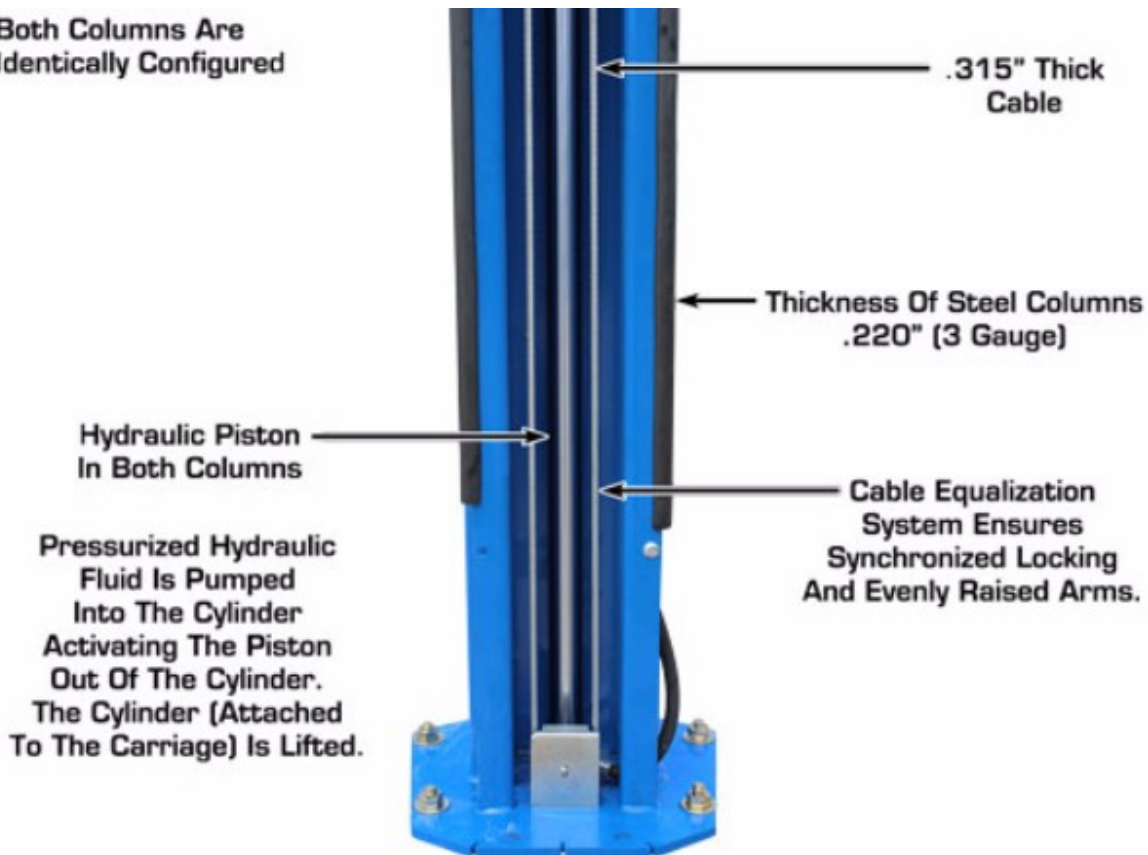


"Double S" Bends Increase Column Strength





Both Columns Are Identically Configured



Ready To Ship or  
Be Picked Up



Shipping Weight: 1,750 lbs.