

## FD4T1200C | 4 Tier Cold Food Display 1200mm

Food Displays

**INDUSTRY  
KITCHENS**

www.industrykitchens.com.au 1800 611 058

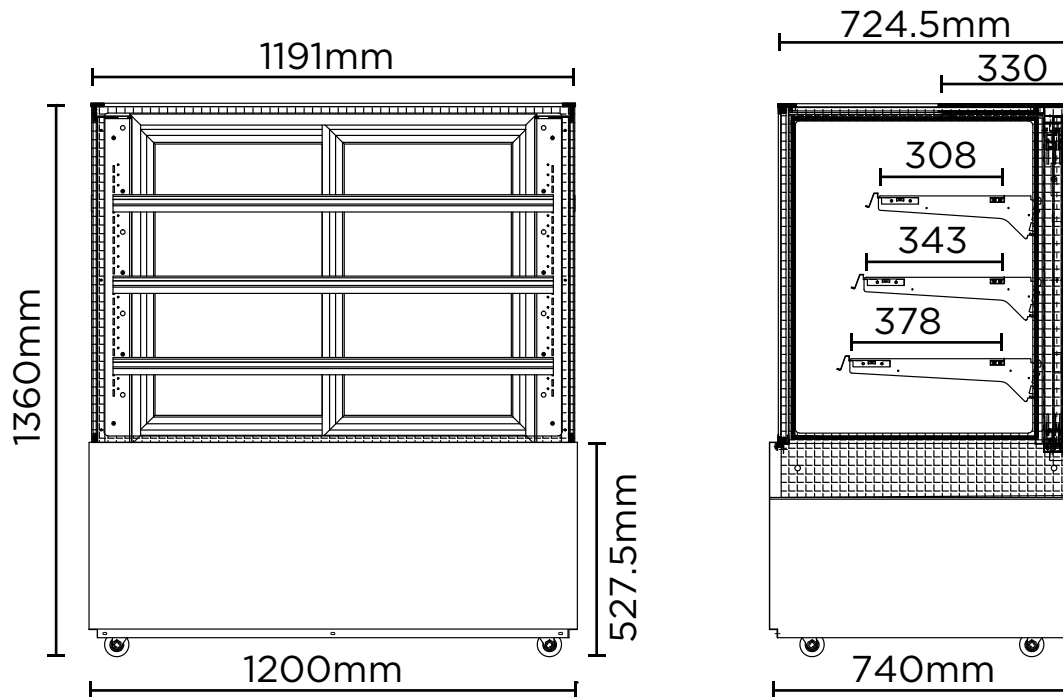
**FD4T1200C**

**4 TIER COLD  
FOOD DISPLAY  
1200MM**



## FD4T1200C | 4 Tier Cold Food Display 1200mm

### Food Displays



<b>SPECIFICATIONS</b>	<b>Part Number</b>	3736309
	<b>Capacity</b>	542L
	<b>Temp. Range</b>	+2 to +6°C
	<b>Max. Ambient Temp.</b>	32°C
	<b>Rated Power</b>	1000W
	<b>Energy Consumption</b>	15.574kWh/24h
	<b>Gross Weight</b>	282kg
	<b>Packaged Dimensions</b>	1300 x 850 x 1510 mm
	<b>Refrigerant</b>	R404a
	<b>Plug Supplied</b>	Yes, 1 x 10A
	<b>Plug Location</b>	Rear, Right Hand Side
	<b>Main Light</b>	LED
	<b>Number of Doors</b>	2
	<b>Door Type</b>	Sliding
	<b>Temp. Controller</b>	Digital
	<b>Castors</b>	Yes
	<b>No. of Shelves inc. Base</b>	4
<b>Shelves Dimensions</b>	1117(w) x 307(d), 1117(w) x 342(d), x 1117(w) x 377(d) mm	
<b>Colour</b>	Stainless Steel	
<b>Warranty</b>	2 Year Parts & Labour	
<b>Warranty Service</b>	Bromic Extra Care	

<b>DIMENSIONS</b>	<b>External (mm)</b>	
	<b>Width</b>	1200
	<b>Depth</b>	740
	<b>Height</b>	1360
	<b>Internal (mm)</b>	
	<b>Width</b>	1174
<b>Depth</b>	647	
<b>Height</b>	828	

BROMIC PTY Ltd reserve the right to alter specifications without notice.