



ÖZTİRYAKİLER

Cumhuriyet Mah.Hadımköy Yolu Cad.No:8

Büyükkçekmece-İstanbul-TURKEY

e-mail: export@oztiryakiler.com.tr

web: www.oztiryakiler.com.tr

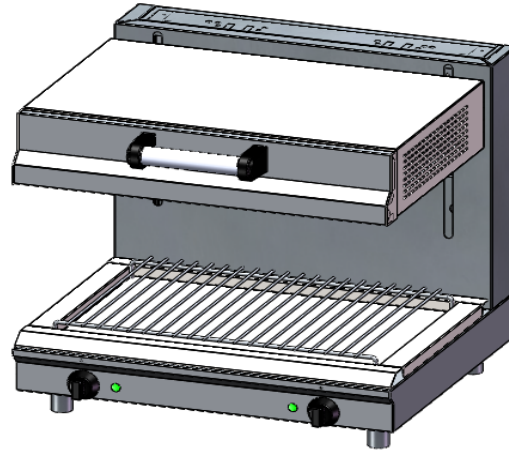
code:

7850.58575.70

ELECTRIC SALAMANDER

model:

OS 200



ELECTRIC SALAMANDER

- * All stainless steel construction designed to avoid any infiltration.
- * Top, sides, back, front panels and control consoles in stainless steel with satin scotchbrite finish.
- * 2 different installation options; fixed on tops or fixed on wall.
- * All major components are located in front for easy maintenance.
- * The provided feet for bench mounting are made of heat hardened material.
- * Variable height adjustment.
- * Lifting mechanism utilizing ball bearings.
- * Chromium plated cooking grid 51x35,5 cm
- * Full dimension removable stainless steel fat collection tray under cooking grid
- * Model suitable for gastro-norm containers and large sized dishes.
- * Heat resistant handle. □
- * Used armoured heating elements, which are controlled by a six position energy regulator.
- * Units have separate controls for each half module of the cooking surface
- *
- *
- *
- *
- *
- *
- *
- *
- *
- *
- *
- *
- *

OPTIONS

- *
- *

ACCESSORIES

- *
- *
- *
- *

STANDARDS

- * EN 60335-1 European Standard relating to safety of household and similar electrical appliances
- *
- * EN 60335-2-48 European Standard relating to particular requirements for commercial electric griddles and griddle grills
- *



**ÖZTİRYAKİLER**

Cumhuriyet Mah.Hadımköy Yolu Cad.No:8

Büyükcçekmece-İstanbul-TURKEY

e-mail: export@oztiryakiler.com.tr

web: www.oztiryakiler.com.tr

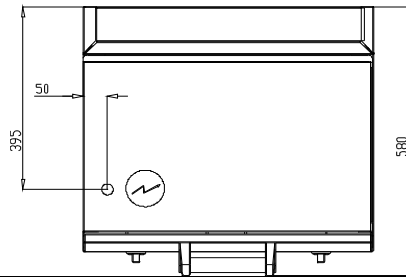
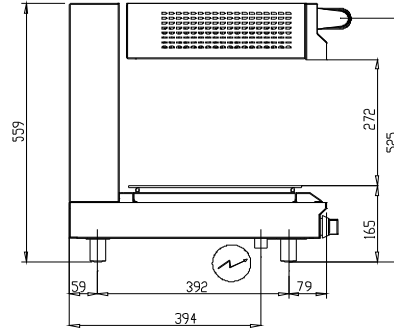
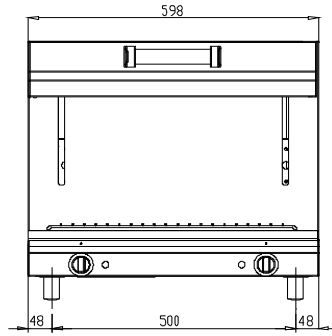
code:

7850.58575.70

ELECTRIC SALAMANDER

model:

OS 200

**DIMENSIONS (Net)**

* Width (mm)	600
* Depth (mm)	580
* Height (mm)	560
* Weight (kg)	52
*	

DIMENSIONS (Shipping)

* Width (mm)	
* Depth (mm)	
* Height (mm)	
* Weight (kg)	
* Volume (m ³)	

COMPOSITION OF TOP

* Working Temp. (min-max)	6 level	adjustable by energy regulator
* Plate surface (width)	510 mm	
* Plate surface (depth)	355 mm	
*		

COMPOSITION OF THE BOTTOM PART

*
*
*
*

**GAS**

* Power:	kW	Btu/hr	kcal	Gas Inlet:
* G20	Pressure:		m ³ /h	
* G30/G31	Pressure:	mbar	kg/h	
* G30	Pressure:			

**ELECTRICITY**

* Power:	3,2	kW
* Supply Voltage:	230V / NPE 50/60 Hz	400V / 2 NPE 50/60 Hz
* Protection Class:	IP	X3

**WATER-IN**

* Cold Water Inlet:	Pressure (min-max)	bar	kPa	Temperature (min-max)	°C
* Hot Water Inlet:					
* Hardness:	F				

**DRAIN**

*
*