

EMV400S FHD

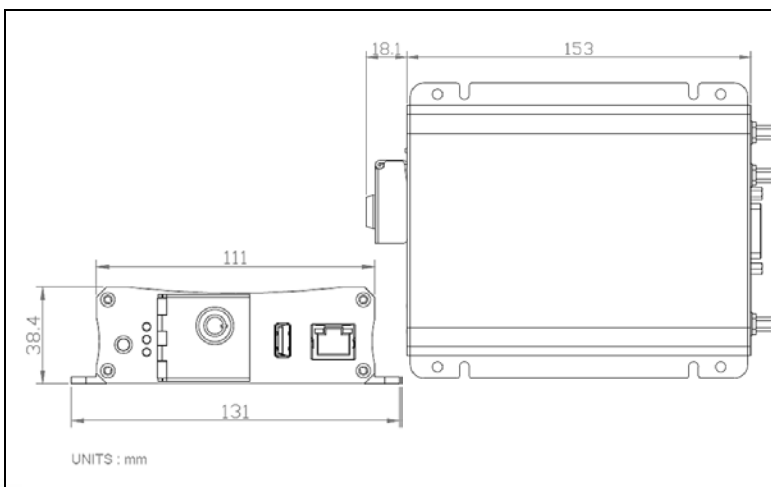
4 Channels 1080p Full HD Mobile DVR



Features

- Full HD mobile DVR (supports Analog SD/Full HD cameras)
- Up to 1080p full HD resolution for live and recording
- Dual-stream from H.264 video compression format
- eZ.Controller function: Control camera OSD settings and PTZ operation directly from DVR end
- Supports SD card up to 128G
- 3-axis G-sensor embedded
- Multiple serial interfaces
- IR remote control function
- Archives recordings to the USB storage device and FTP server
- Supports mobile applications (MobileFocus)
- Multiple network monitoring: Web viewer, Genie XMS XFleet (Server System)
- Certificates: CE, FCC

Dimensions



Optional Accessories

You can use the optional accessories to expand the capabilities and versatility of the mobile DVR. Please contact your dealer for more information.

- 3G Antenna: For using 3G network function
- 4G Antenna: For using 4G LTE network function (LTE frequency bands differ among regions)
- GPS Antenna: For using GPS function
- Wi-Fi Antenna: For using Wi-Fi function
- External I/O Box: For connecting to the Alarm I/O and RS232 devices

Specification

| Model No. | | EMV400S FHD |
|-------------------------|-----------------------------|---|
| Video Input | Number of Channels | 4CH |
| | Video Compression | H.264 |
| Audio | Audio Inputs | 4 |
| | Output | RCA x 1 |
| Video Output | Video Output (Main Monitor) | VGA x 1 |
| | Video Output (Call Monitor) | BNC x 1 |
| Recording | Recording Resolution | 1080p / 720p / 960H / D1 / CIF / QCIF |
| | Recording Mode | Event, Normal + Event, Schedule |
| | Recording Rate | 30fps/CH (NTSC), 25fps/CH (PAL) |
| | Pre-Alarm Recording | Yes |
| Playback | Playback Mode | Duplex |
| | Playback Search | Time Search, Event Search |
| Video Detection & Alarm | Alarm Inputs | Yes (additional External I/O Box is required) |
| | Alarm Outputs | Yes (additional External I/O Box is required) |
| | Video Loss Detection | Yes |
| | Event Alarm | Yes |
| Network | Ethernet | RJ-45 Port x 1 (10/100M) |
| | Wi-Fi | Optional |
| | 3G / 4G | Optional |
| | GPS | Optional |
| Storage | SD Card | SD Card x 1 (SDHC/SDXC, max. 128GB) |
| External Interface | Interfaces | RJ-45 x 1, USB2.0 x 1, External I/O Port x 1 |
| General | G-Sensor | 3-Axis G-Sensor Embedded |
| | System Control | IR Remote Control, Mouse, Web UI |
| | PTZ Control | Yes |
| | Power Source | 8-35VDC |
| | Power Consumption | 10W |
| | Operating Temperature | -40°C~55°C / -40°F~131°F |
| | Dimensions (W x D x H) | 131 x 171.1 x 38.4mm / 5.16" x 6.74" x 1.51" |
| | Weight | 690g / 1.52lb |
| Certificates | CE, FCC | |

Remote Client System Minimum Requirements

| | |
|--------------------------|--|
| Operating System | Windows XP (32-bit) / Win7 (32 and 64-bit) |
| CPU | Intel Core I3-2100 |
| RAM | 2GB |
| VGA | Intel HD 2000 |
| LAN Speed | 10 / 100 / 1000 Mbps (RJ45) |
| Web Browser | IE11 and later, Firefox 50 and earlier, Chrome 44 and earlier, EF browser |
| Other Remote Application | <ol style="list-style-type: none"> EverFocus' Xfleet fleet management server system. EverFocus' mobile app: MobileFocus (iOS and Android); MobileFocusHD (iPad). |

Find Out More At:

EverFocus Taiwan HQ:
 TEL: +886 2 2698 2334
 www.everfocus.com.tw
 marketing@everfocus.com.tw

EverFocus USA - California:
 TEL: +1 626 844 8888
 www.everfocus.com
 sales@everfocus.com

International Branch Offices:
 Germany, China, Japan

