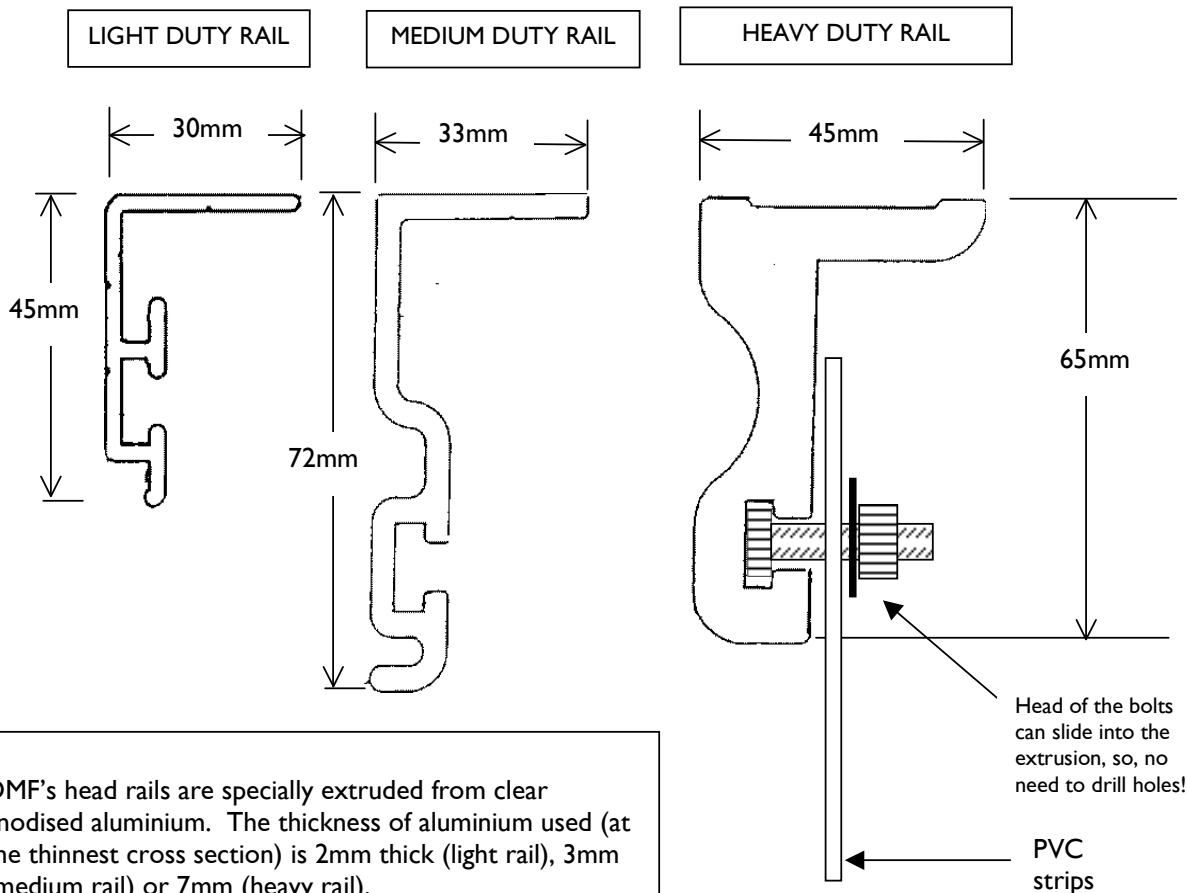


DMF HEAD RAILS

FOR STRIP DOORS AND SCREENS
USING FLEXIBLE PVC (CLEAR OR COLOURED) STRIPS/SHEETS

DATE: 21st Aug 06

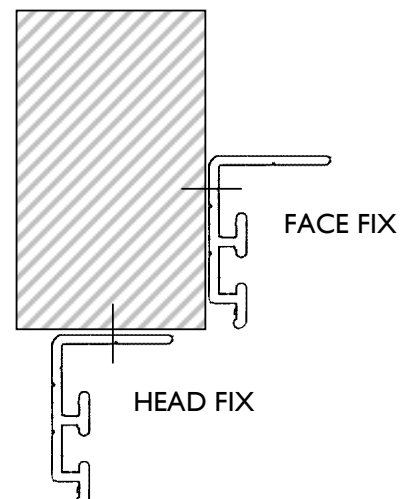


DMF's head rails are specially extruded from clear anodised aluminium. The thickness of aluminium used (at the thinnest cross section) is 2mm thick (light rail), 3mm (medium rail) or 7mm (heavy rail).

DMF Rails can be called "**FUTURE PROOF**" rail because of the special extrusion. This is due to TWO reasons:

- ❑ One, the special extrusion allows the bolt heads to slide within the extrusion, thereby eliminating drilling of holes in the head rail to fix the PVC strips.
- ❑ Two, the rails are extruded in such a way that PVC strips will not touch the sharp edges – so the rails are also **RIP FREE!**

The clear anodised aluminium also makes these rails **rust-free** and **easy to clean** which means better from the point of view of HACCP as well as durability.



Example showing both HEAD & FACE FIXING