

## EBA1240

2-Megapixel True Day/Night  
Outdoor IR Ball Camera

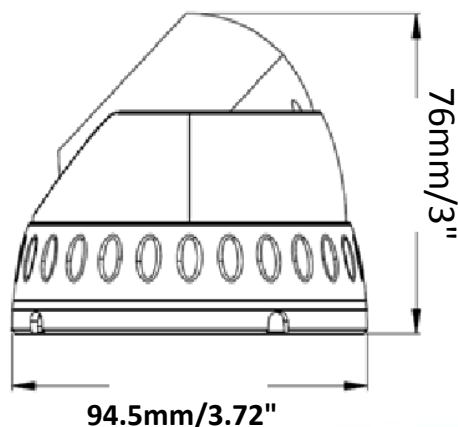
eZ.HD



## Features

- 1080p Full HD CMOS sensor, with high flexibility and performance for astounding image
- 3.6mm fixed lens with ICR to capture the desired field of view
- Extended IR range of up to 20m / 66ft. with 18 LEDs (depends on scene IR reflectivity)
- D-WDR to improve the visibility under high contrast scene
- The flexible angle viewing with its 3-Axis rotation design allows wall or ceiling mounting
- IP66-rated with metal housing
- Supports UTC function: Control camera OSD settings directly from DVR end

## Dimensions



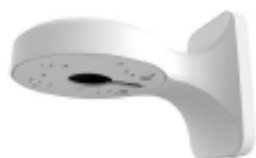
## Optional Accessories

### BA-E310



Color: White  
 Size (Φ x H): 101 x 52mm / 3.98" x 2"  
 Weight: 540g / 1.2lb  
 Material: Metal

### BA-E173



Color: White  
 Size (W x D x H): 173 x 111 x 114mm / 6.81" x 4.37" x 4.49"  
 Weight: 700g / 1.5lb  
 Material: Metal

## Specifications

Model No.	EBA1240		
Pickup Device	1080P Full HD CMOS sensor	Video Format	AHD / TVI / CVI / CVBS
System Format	NTSC / PAL (switchable via OSD)	S/N Ratio	≥50dB
Effective Pixels	1920 (H) x 1080 (V)	OSD Languages	English / Simplified Chinese / Traditional Chinese / Japanese / Korean / Portuguese / Russian / Spanish / Italian / French / Polish
Scanning System	Progressive Scan	DNR	2DNR / 3DNR
Sensitivity	N/A	D-WDR	Close / Open
Electronic Shutter	N/A	Sens-up	N/A
Gamma Correction	N/A	Mirror / Flip	N/A
Lens Type	3.6mm fixed lens with ICR, F1.6	Motion Detection	Supported
FOV (D x H x V)	106° x 80° x 58°	Privacy Mask	Supported
BLC	On / Off	Environmental	IP66 Weather Resistant
AGC	Auto	Power Source	12VDC, 550mA
White Balance	Auto / Manual	Max. Power Consumption	6.6W
Sync. Mode	Internal	Operating	-10°C ~ 50°C / 14°F ~ 122°F
Day / Night	Auto / Color / B&W	Humidity	Less than 95%
UTC Function	Supported	Dimensions (Φ x H)	94.5 x 76mm / 3.72" x 3"
IR LEDs	18 Units	Weight	450g / 0.99lb
IR Distance	Up to 20m / 66ft. (Depends on scene IR reflectivity)	Certificates	CE, FCC, RoHS