

MODEL	CP62 COTTON PLOUGH	
Working Width	6.0 m	
Side or Centre Bust	Centre	Side
Number of Shanks	13	19
Shank Spacing	500 mm	333.33 mm
Number of Furrows	7	
Furrow spacings	1000 mm	
Maximum Working Depth	600 mm	
Shank Style	#9 Rigid Assembly	
Rigid Shear Pin Breakout	4,790 kg (10,560 lbs) at blade	
Frame	150 x 150 x 9 mm RHS	
No. Toolbars / Spacing	3 / 725 m	
Depth Wheels	Dual 11.5/80-15.3 6-stud Bedford	
Linkage Type	CAT3 three point linkage & CAT3 quick hitch	
Drawbar Power	260-390 hp	380-570 hp
Transport Dimensions	6,490 mm (w) x 2,700 mm (d) x 1,730 mm (h) (with stabiliser: 2,550 mm height)	
Weight	2,550 kg	2,900 kg
Machine Options	Plough Stabiliser Arm (adds 315 kg)	
Shank Options ¹	Furrowers Mulch blades	

AGROWPLOW[®]

Prosperity through Soil Care.



Agrowplow Head Office
2 Castle Street
Molong NSW 2866

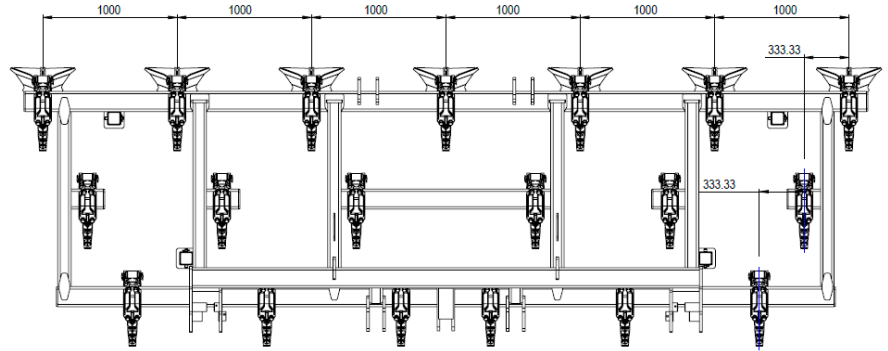
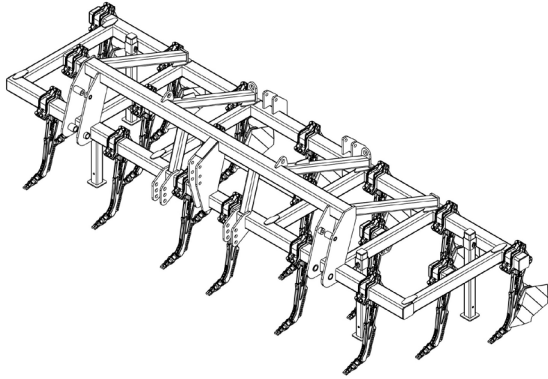
1300 722 491
www.agrowplow.com.au
contact@agrowplow.com.au



¹ Some shank options are mutually exclusive or may be used only under specific circumstances or with particular configurations. Shank options may increase draft requirements. Consult your dealer before considering these options.

All effort has been made to ensure the information presented in this document is correct at the time of publication, however, features and specifications may change without notice. Weights, dimensions and specifications are an estimate for standard configurations only and may change slightly during the manufacturing process.

Side Buster: CAT3 6.0 m Tyne Layout



Centre Buster: CAT3 6.0 m Tyne Layout

