

NDF60

Dual Fuel Burner

496kW - 1669kW



NDF60 Dual Fuel Burner features:

- Burner mounted control panel
- Simple switch changeover between fuels
- 2-stage control (high/low) NDF35-100
- Designed and approved in accordance with the European Standard EN 676 and EN267
- NDFL - Class 'D' oil 5.5 cSt @ 40°C
- NDFR - Class 'G' oil 40 cSt @ 100°C
- Fully closing air damper
- Oil Heater – Burner mounted pumping & heating unit included with burner to heat oil for atomisation for NDFR
(Intermittent operation during standby to maintain oil temperature for immediate restart)
- NDFR burners require a pre-heated ringmain oil supply, minimum temperature @ 83°C for Class 'G' oil
- All kW ratings are nett CV
- Suitable for high resistance boilers
- Industry standard components easily available
- Options Extras:
 - Modulating control (Std on NDF100-41 and above)
 - Air inlet silencer (Std on NDF100-41 and above)
 - Acoustic cover (wheel-over)
 - Water level control panel (AOTC)
 - Free-standing pumping & heating unit



For more information on all Nu-way products
please visit www.nu-way.co.uk



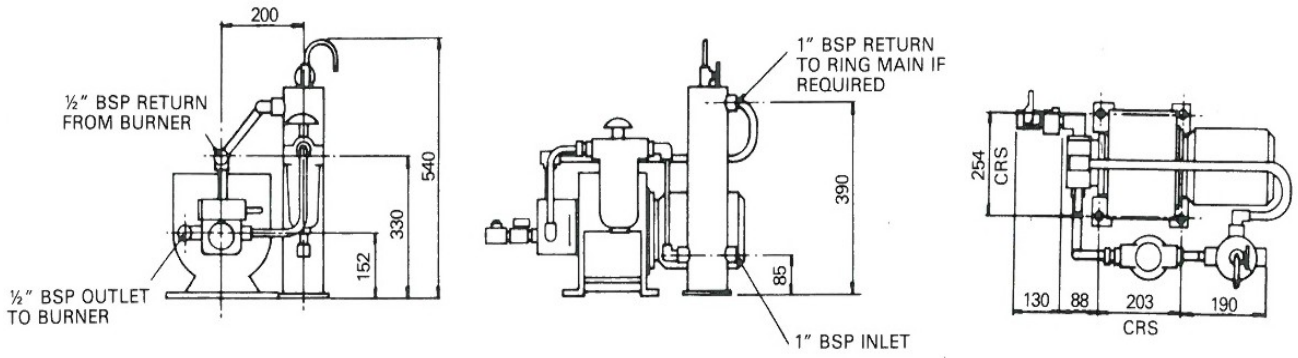
NDFL BURNER DISTILLATE FUEL HIGH/LOW				
Panel and Pump Unit mounted on Burner				
Burner Type	NDFL60			
Capacity	kW	496-1669		
		60-28	60-34	60-38
Fan Motor	V/ph/Hz	380/420 / 3 / 50	380/420 / 3 / 50	380/420 / 3 / 50
	kW	2.2	4.0	4.0
Run Current	A/each phase	4.6	8.0	8.0
Cable size	mm ²	1.5	2.5	2.5
Fuse	A (HRC)	15	25	25
Control unit		LFL		
Flame monitoring		UV Cell		
Control Options		2 Stage / Modulating		
Air damper motor		•		
Pressure gauge		•		
Noise	@ 1m dBA	82	86	90
Gross weight	kg	165		
Packing dimensions	l x w x h (cm)			

- Standard
- Other electrical supply options available on request.

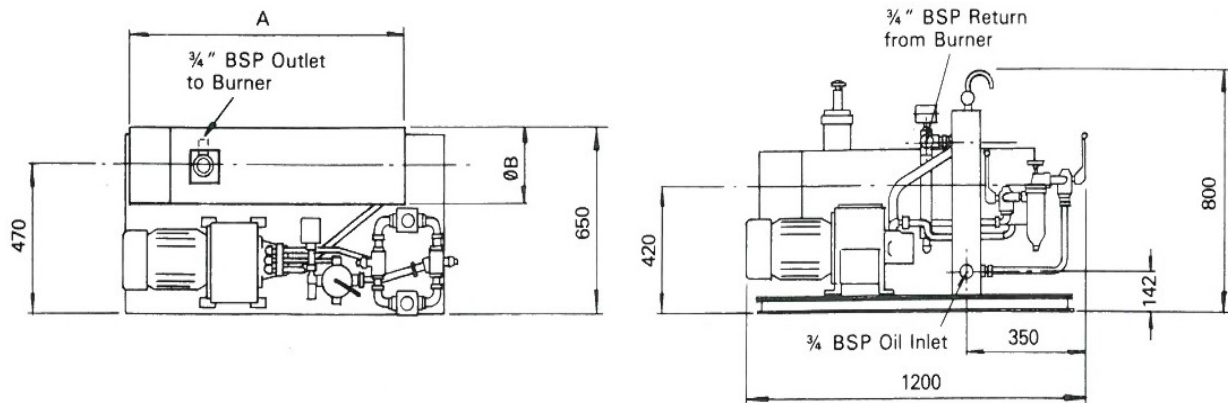
NDFR – RESIDUAL FUEL SLIDING HIGH/LOW				
Separate Panel and Pumping & Heating Unit				
Burner Type	NDFR60			
Capacity	kW	496-1669		
		60-28	60-34	60-38
Fan Motor	V/ph/Hz	380/420 / 3 / 50	380/420 / 3 / 50	380/420 / 3 / 50
	kW	2.2	4.0	4.0
Run Current	A/each phase	15.0	19.0	19.0
Cable size	mm ²	4.0	4.0	6.0
Fuse	A (HRC)	40	50	50
Pump	kW	0.75	0.75	0.75
Pre-Heater	kW	6.0	6.0	6.0
Control unit		LFL		
Flame monitoring		UV Cell		
Control Options		2 Stage / Modulating		
Air damper motor		•		
Pressure gauge		•		
Noise	@ 1m dBA	82	86	90
Gross weight	kg	165		
Packing dimensions	l x w x h (cm)			

- Standard
- Other electrical supply options available on request.

All data calculated at 415 volts. Motors marked * are 4 pole. All others are 2 pole. Distillate fuel burners are monobloc. Residual fuel burners have separate pumping and heating units. Modulating burners have separate control panel. Motors 5.5kW and over are star delta start. 1 kW = 1.34 HP. Run currents are for oil firing when on gas, this will be reduced to burner motor only unless oil is circulated.



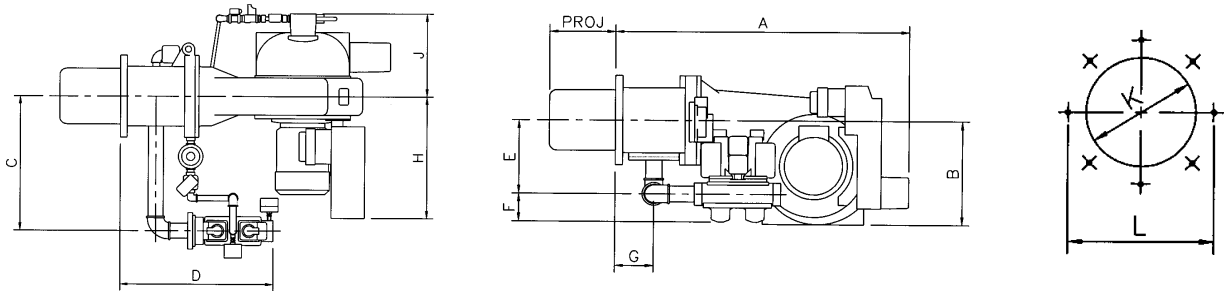
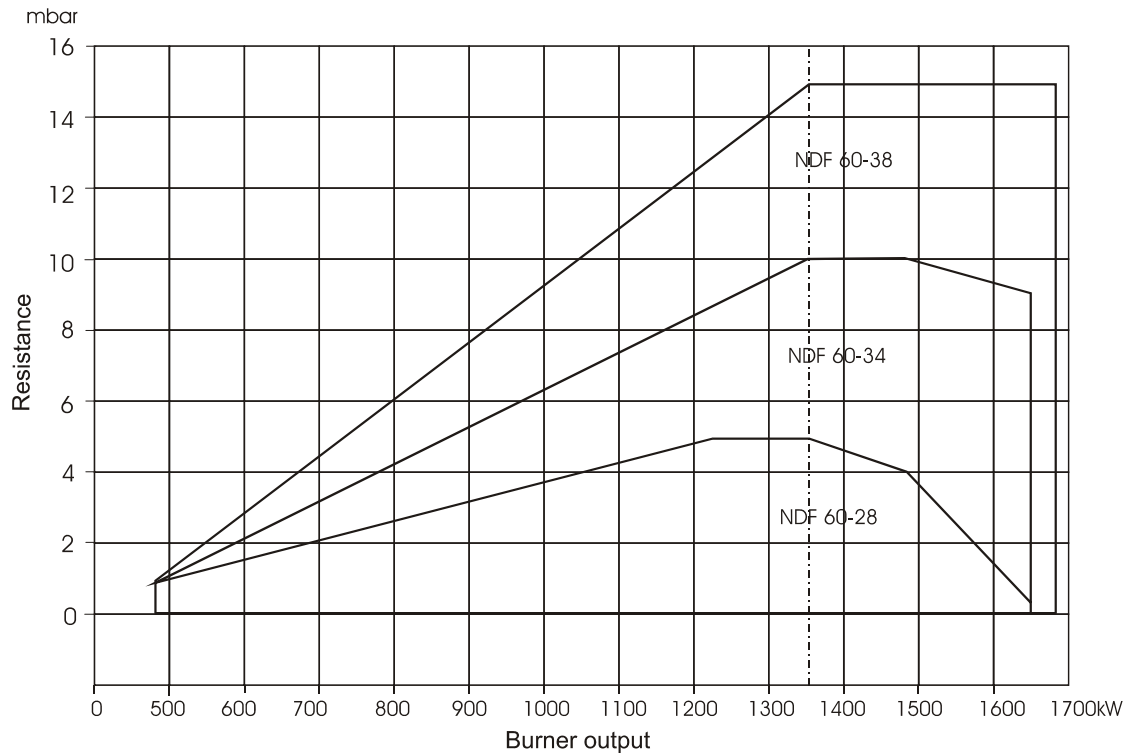
NDFL Modulating: Pump Unit



kW	Dim A	ØB
4.5 & 6.0	692mm	155mm
7.5 & 9.0	684mm	224mm
12.0	586mm	224mm

NDFR Modulating and Sliding High/Low: Pump Unit

BURNER SELECTION CHART



Burner	A	B	C	D	E	F	G	H	J	K	L
NDF60-28	1080	385	540	670	305	105	141	500	335	230	305
NDF60-34	1080	385	540	670	305	105	141	500	335	230	305
NDF60-38	1110	475	540	670	305	105	141	500	335	230	305

* +60mm if LDU11 valve proving fitted

Enertech Limited, P O Box 1, Vines Lane
Droitwich, Worcestershire, WR9 8NA

tel: +44 (0) 1905 794331 • fax: +44 (0) 1905 794017
email: info@nu-way.co.uk • web: www.nu-way.co.uk

