



**SPECIALIST
MACHINERY
SALES**

AUSTRALIA, NEW ZEALAND & SE ASIA

THOUGHT-LEADER IN STEEL PROCESSING AUTOMATION

SUPERIOR MACHINERY SYSTEMS WHICH FLIPPER IS RIGHT FOR YOU?



1300 262 123 / +61 8 6500 6880

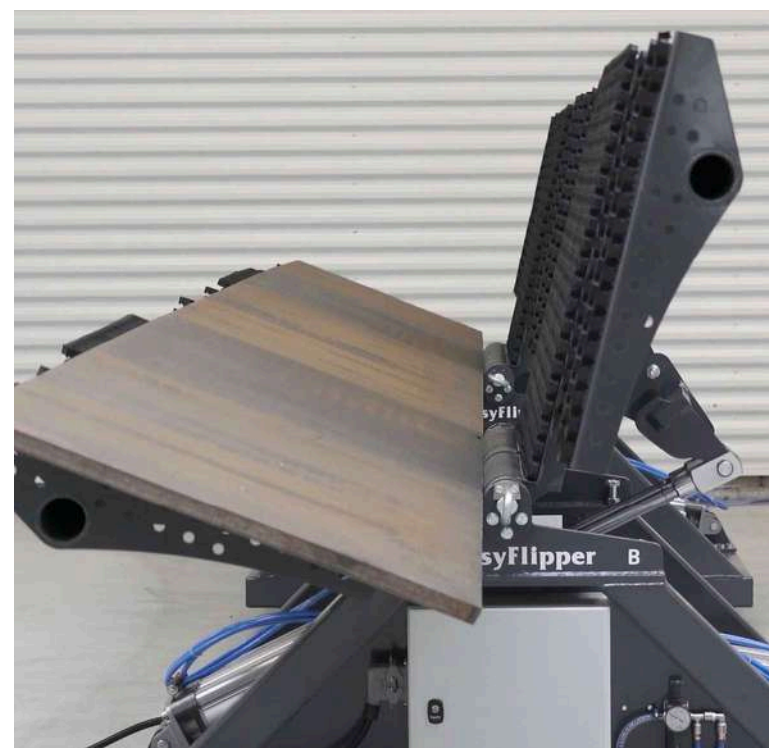
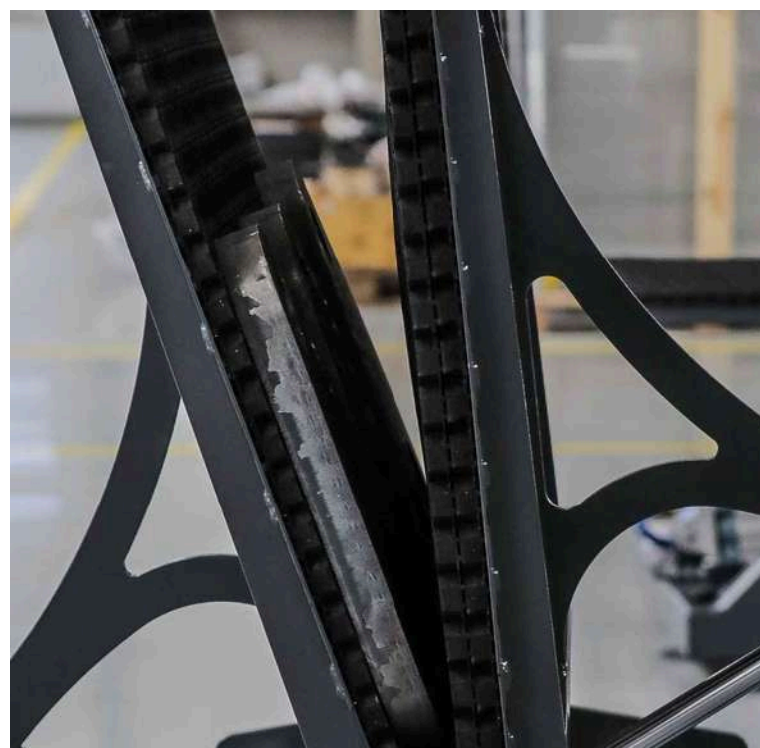


**tellmemore@smsales.com.au
www.SMSales.com.au**





How do you flip 5000kg / 11000lbs ?





EASYFLIPPER CONFIGURATIONS

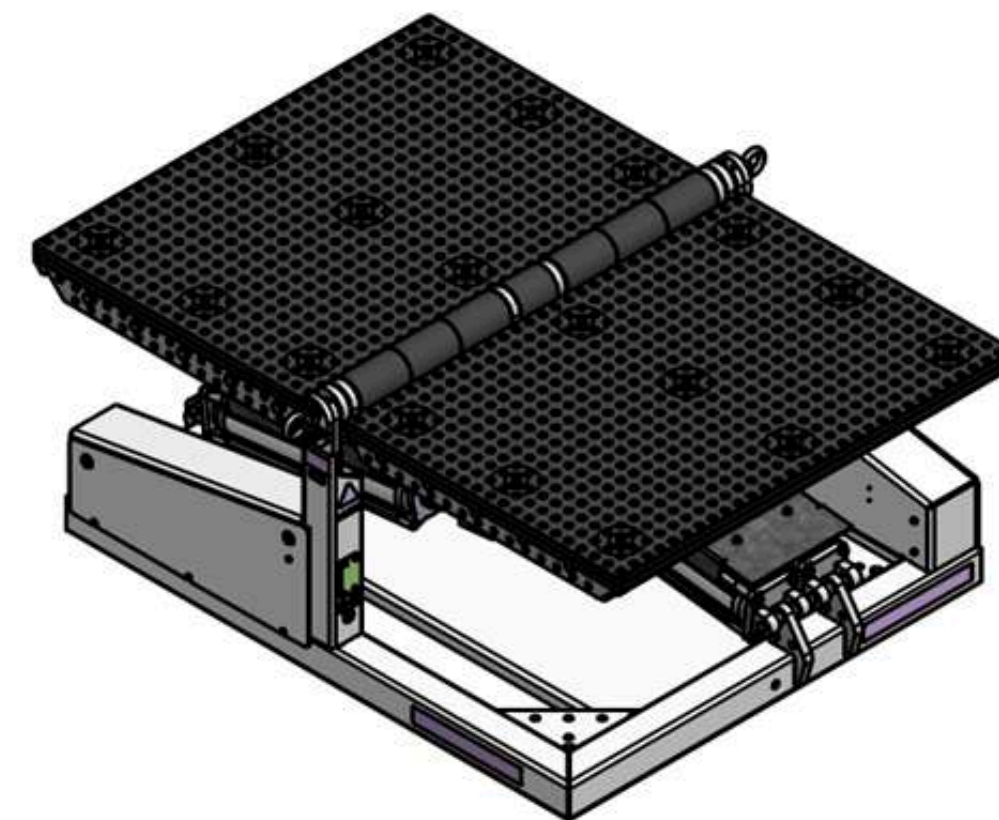
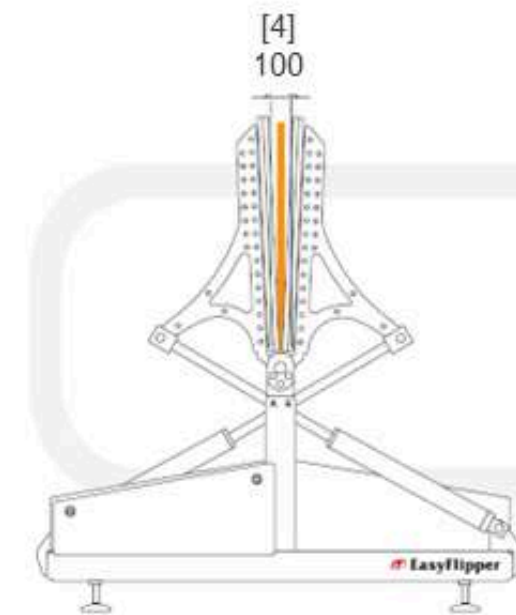
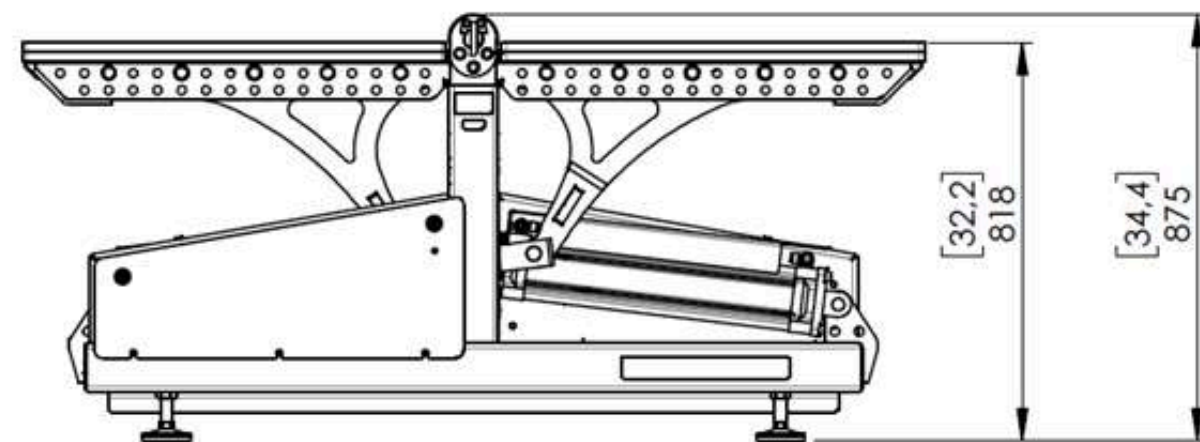
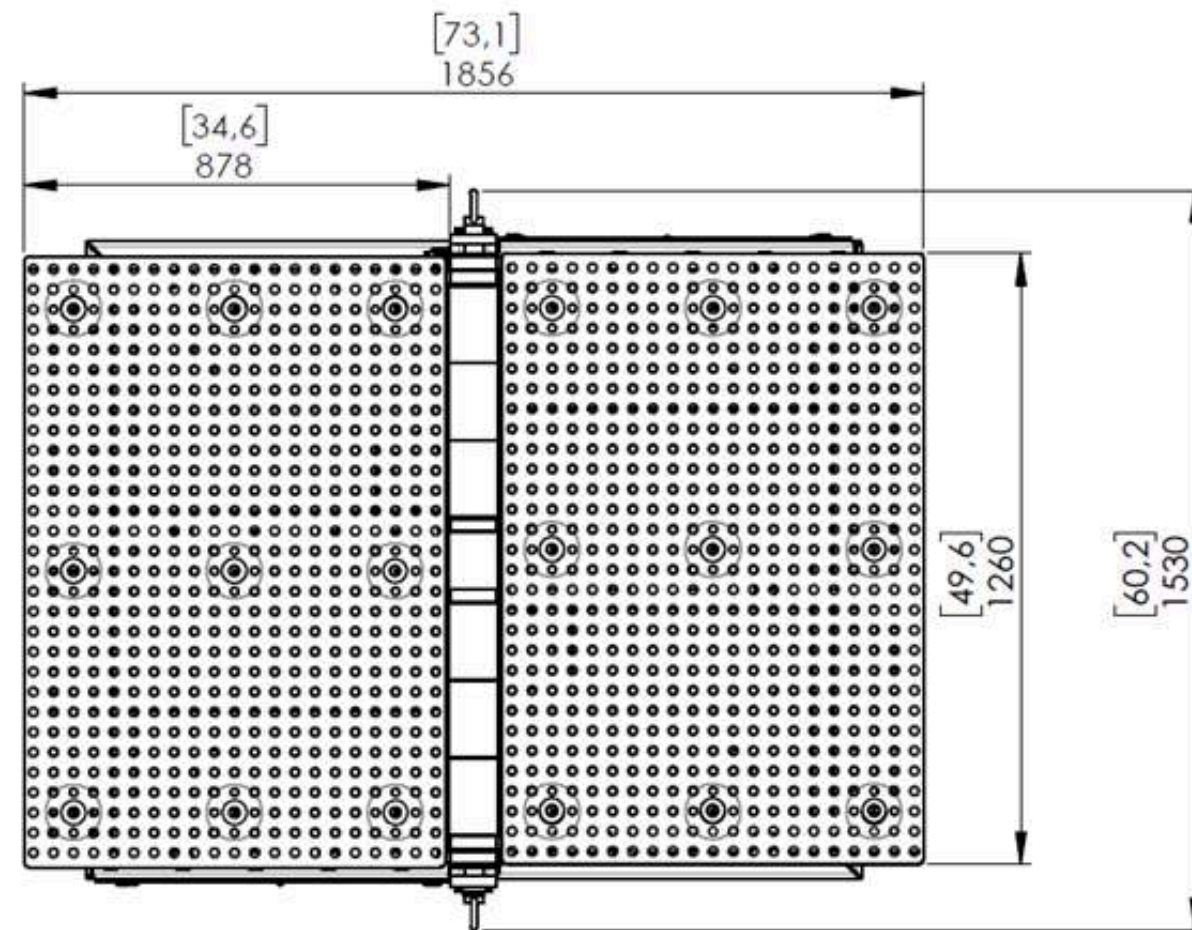
Model	Unit	PS	PL	PW	PLW	PDL	PDLW	PT	PLT	PWT	PLWT	PDLT	PDLWT	HS	HL	HW	HLW	HDL	HDW	HDLW
Flipping time	sec	8-10	10-15	10-15	10-15	10-15	10-15	8-10	10-15	10-15	10-15	10-15	10-15	45-60	45-60	45-60	45-60	45-60	45-60	45-60
Maximum payload	kg	750	698	713	519	1395	1038	746	694	709	515	1387	1030	5000	4980	4927	4740	9752	9854	9480
Table length	mm	1260	3640	1260	3640	7244	7244	1260	3640	1260	3640	7244	7244	1260	3640	1265	3640	7244	2795	7244
Table width	mm	878	878	1637	1637	878	1637	878	878	1637	1637	878	1637	878	878	1522	1586	878	1522	1586
Max part height	mm	100	100	100	100	100	100	200	200	200	200	200	200	200	200	200	200	200	200	200
Max height with EPP*	mm	200	200	200	200	200	200	300	300	300	300	300	300	300	300	300	300	300	300	300
Machine length	mm	1530	3640	1530	3640	7244	7244	1530	3640	1530	3640	7244	7244	1530	3640	1530	3640	7244	3060	7244
Machine width	mm	1856	1856	3374	3374	1856	3374	1856	1856	3374	3374	1856	3374	1856	1856	3144	3272	1856	1856	3374
Machine height	mm	875	875	875	875	875	875	875	875	875	875	875	875	875	875	875	875	875	875	875
Working height	mm	818	818	818	818	818	818	768	768	768	768	768	768	742	742	760	760	760	760	760
Weight~	kg	727	832	767	975	1665	1950	735	840	775	983	1681	1966	982	1025	1002	1082	2460	2004	2540
Air pressure (min-max)	bar	6-10	6-10	6-10	6-10	6-10	6-10	6-10	6-10	6-10	6-10	6-10	6-10	-	-	-	-	-	-	-
Voltage	V AC	230	230	230	230	230	230	230	230	230	230	230	230	400 / 480	400 / 480	400 / 480	400 / 480	400 / 480	400 / 480	400 / 480
Electric power	W	100	100	100	100	200	200	100	100	100	100	200	200	2200	2200	2200	2200	4400	4400	4400

- P** Pneumatic
- H** Hydraulic
- S** Standard
- L** L-support arm
- W** W-support arm
- T** T-table
- D** Duo EasyFlipper
- *** EasyPartsPositioner



Technical Details

- Flipping time: 8-10 sec
- Max. payload: 750 kg
- Table length: 1260 mm
- Table width: 878 mm
- Max. part height: 100 mm
- Max. height with EPP: 200 mm
- Machine length: 1530 mm
- Machine width: 1856 mm
- Machine height: 875 mm
- Working height: 818 mm
- Weight: 727 kg
- Air pressure (min-max): 6-10 bar
- Voltage: 230 V AC
- Electric power: 100 W

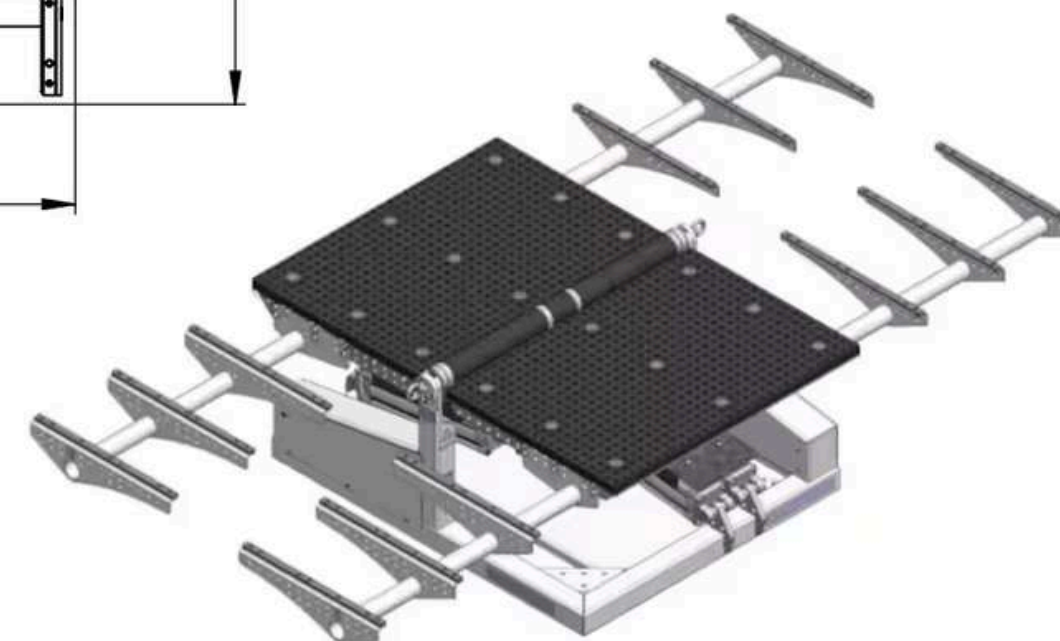
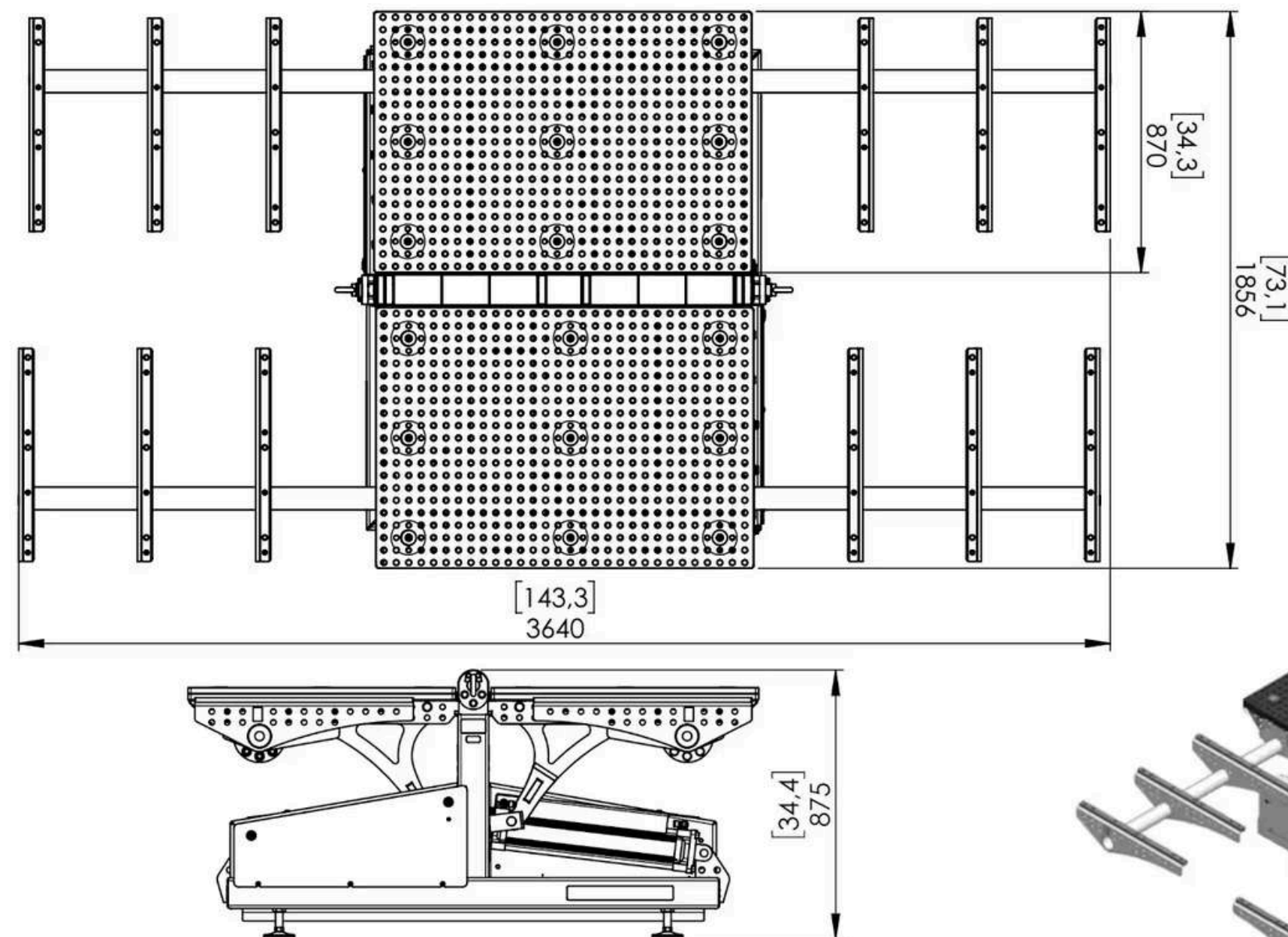


EASYFLIPPER PNEUMATIC STANDARD (EF-PS)



Technical Details

- Flipping time: 10-15 sec
- Max. payload: 698 kg
- Table length: 3640 mm
- Table width: 878 mm
- Max. part height: 100 mm
- Max. height with EPP: 200 mm
- Machine length: 3640 mm
- Machine width: 1856 mm
- Machine height: 875 mm
- Working height: 818 mm
- Weight: 832 kg
- Air pressure (min-max): 6-10 bar
- Voltage: 230 V AC
- Electric power: 100 W

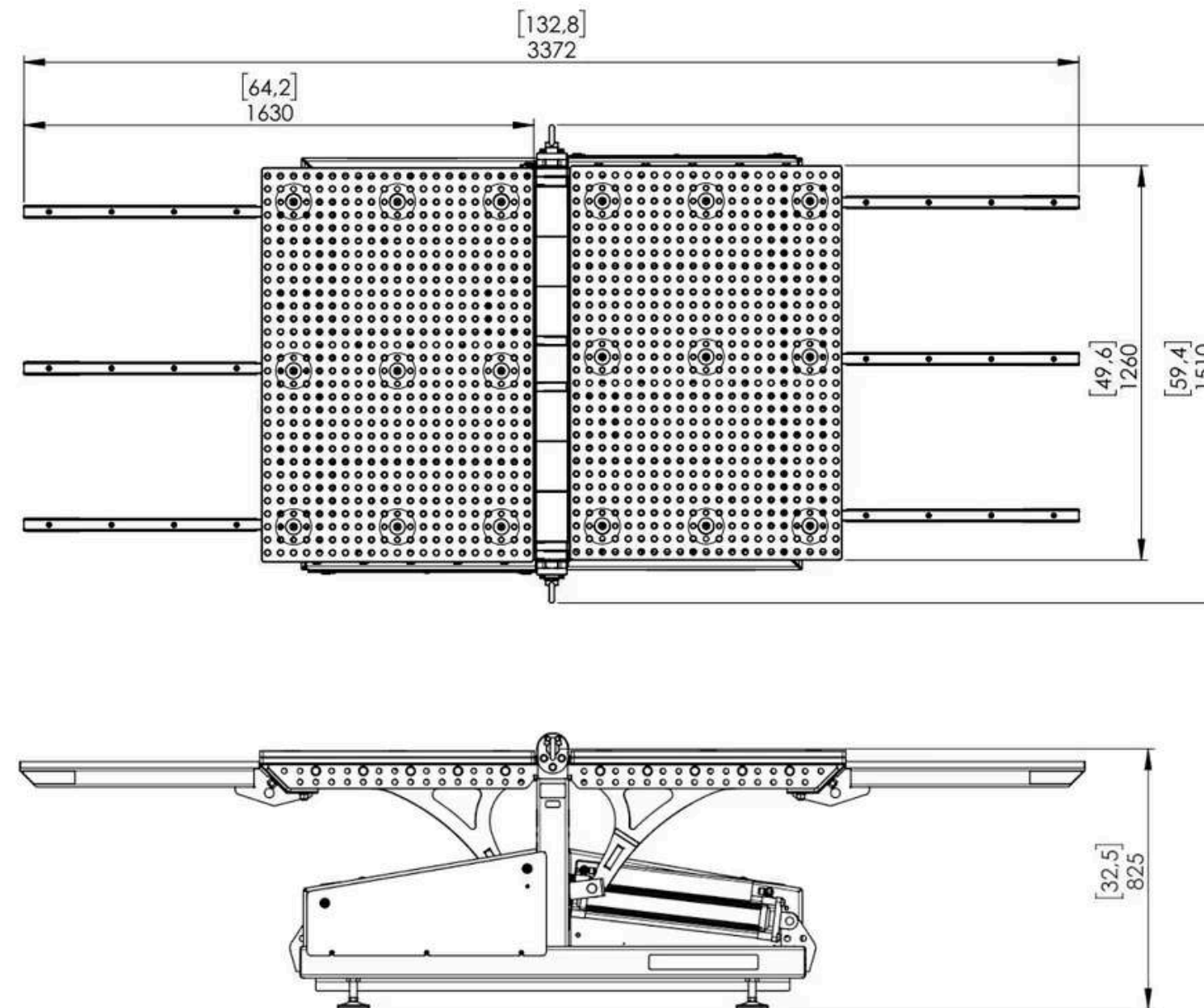


EASYFLIPPER PNEUMATIC L-SUPPORT ARMS (EF-PL)



Technical Details

- Flipping time: 10-15 sec
- Max. payload: 713 kg
- Table length: 1260 mm
- Table width: 1637 mm
- Max. part height: 100 mm
- Max. height with EPP: 200 mm
- Machine length: 1530 mm
- Machine width: 3374 mm
- Machine height: 875 mm
- Working height: 818 mm
- Weight: 767 kg
- Air pressure (min-max): 6-10 bar
- Voltage: 230 V AC
- Electric power: 100 W

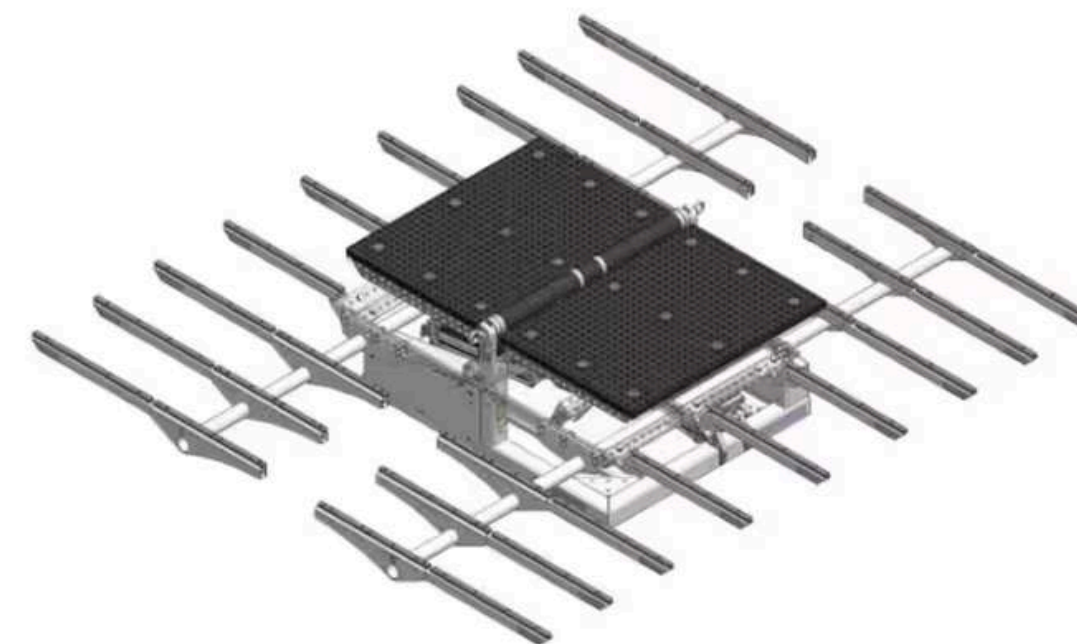
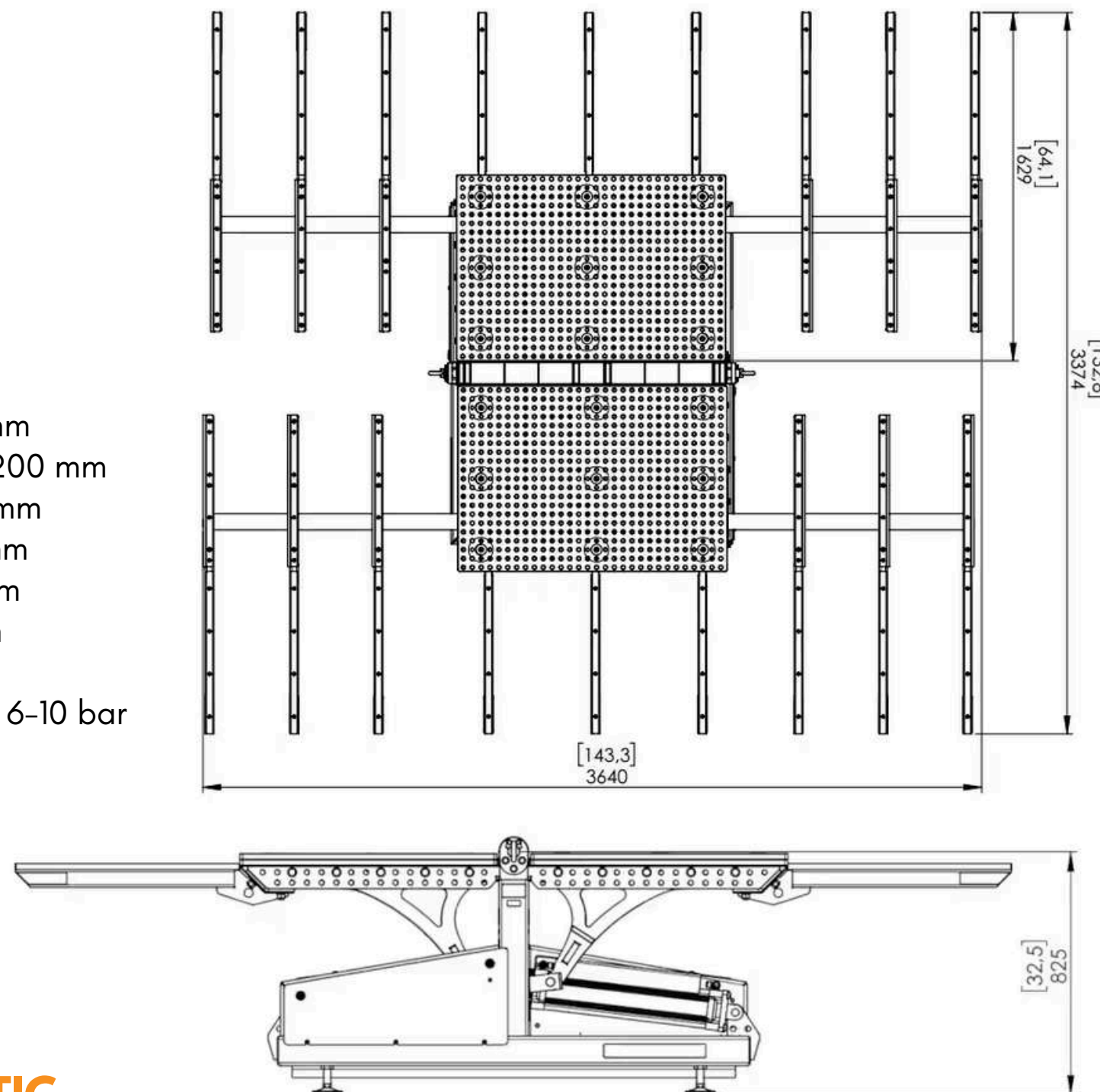


EASYFLIPPER PNEUMATIC W-SUPPORT ARMS (EF-PW)



Technical Details

- Flipping time: 10-15 sec
- Max. payload: 519 kg
- Table length: 3640 mm
- Table width: 1637 mm
- Max. part height: 100 mm
- Max. height with EPP: 200 mm
- Machine length: 3640 mm
- Machine width: 3374 mm
- Machine height: 875 mm
- Working height: 818 mm
- Weight: 975 kg
- Air pressure (min-max): 6-10 bar
- Voltage: 230 V AC
- Electric power: 100 W

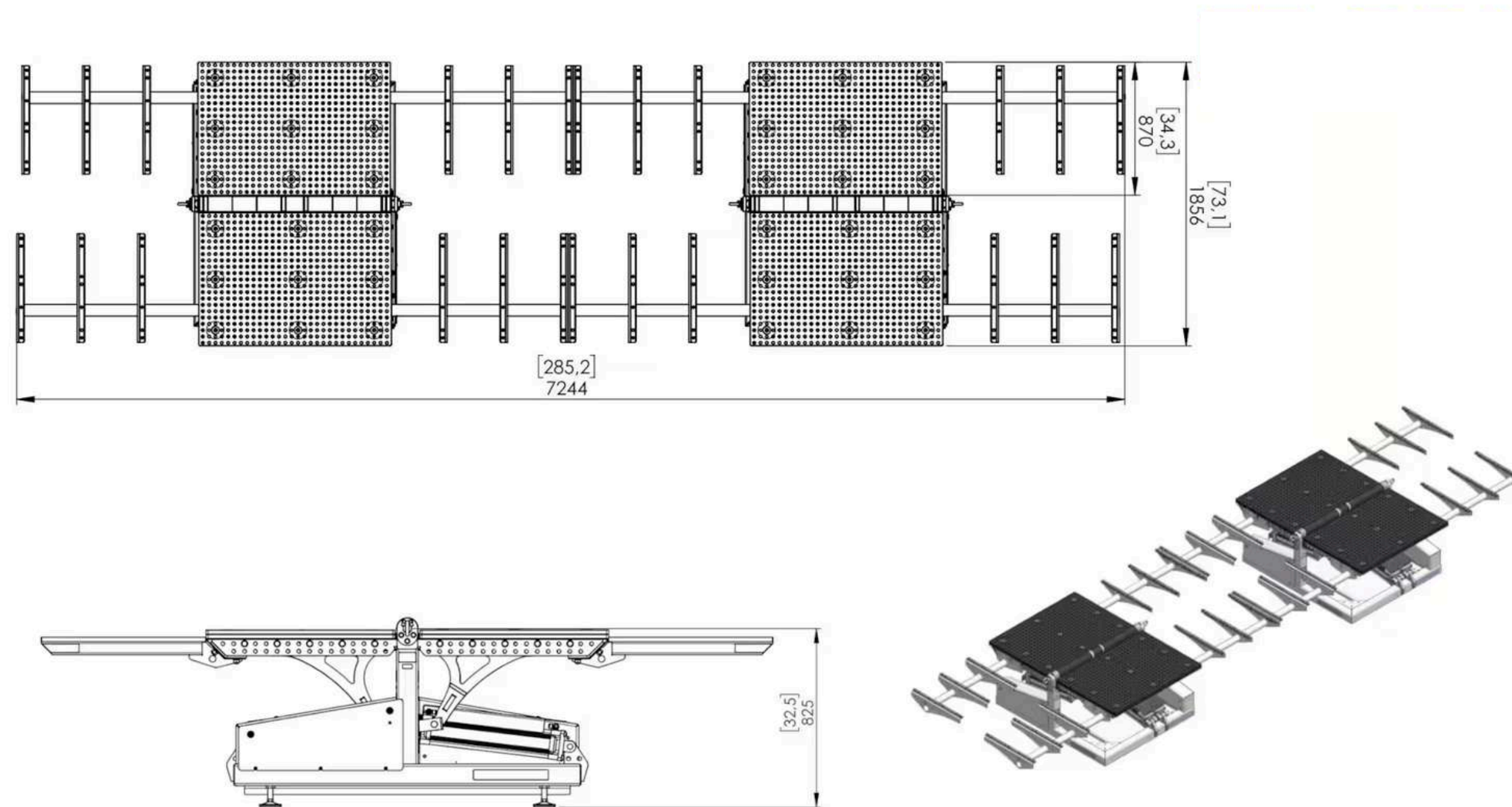


EASYFLIPPER PNEUMATIC L-SUPPORT + W-SUPPORT ARMS (EF-PLW)



Technical Details

- Flipping time: 10-15 sec
- Max. payload: 1395 kg
- Table length: 7244 mm
- Table width: 878 mm
- Max. part height: 100 mm
- Max. height with EPP: 200 mm
- Machine length: 7244 mm
- Machine width: 1856 mm
- Machine height: 875 mm
- Working height: 818 mm
- Weight: 1665 kg
- Air pressure (min-max): 6-10 bar
- Voltage: 230 V AC
- Electric power: 200 W

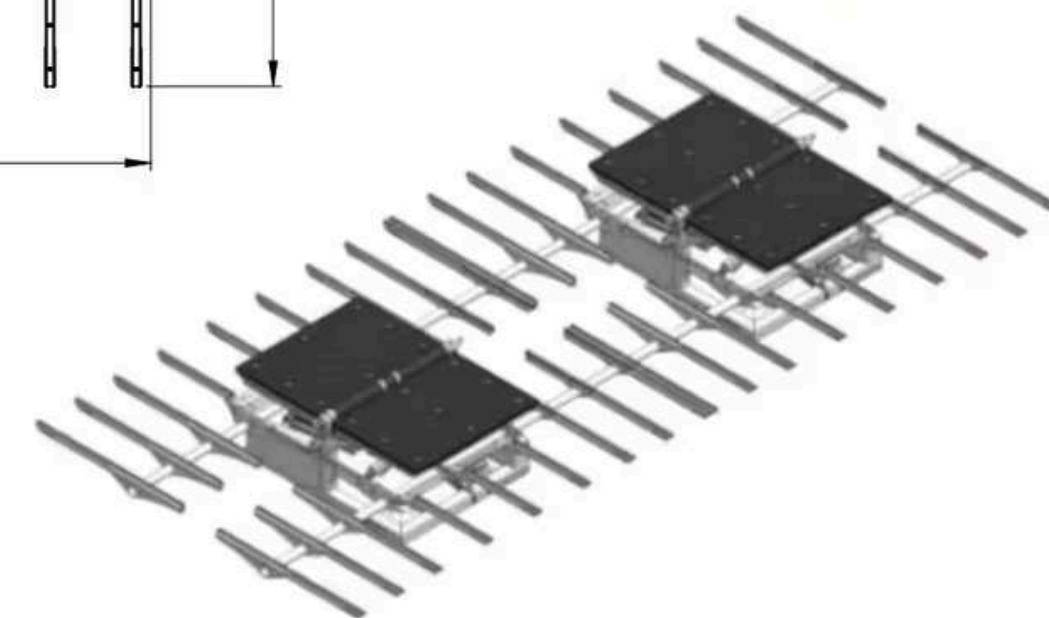
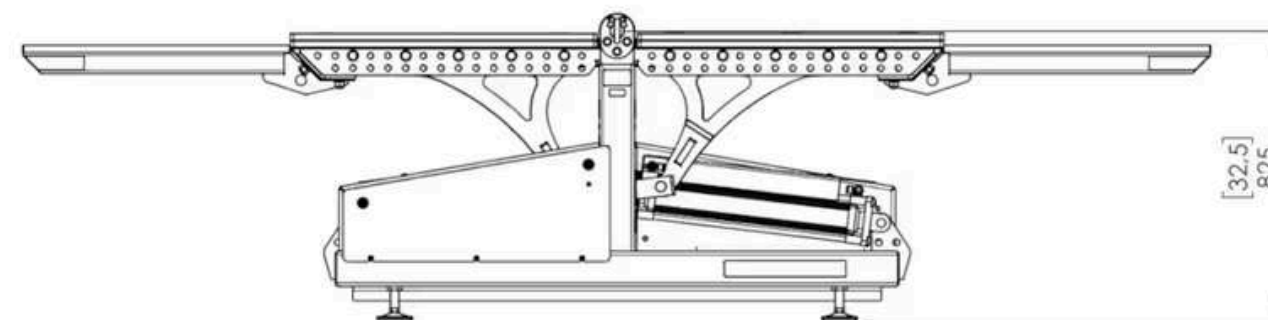
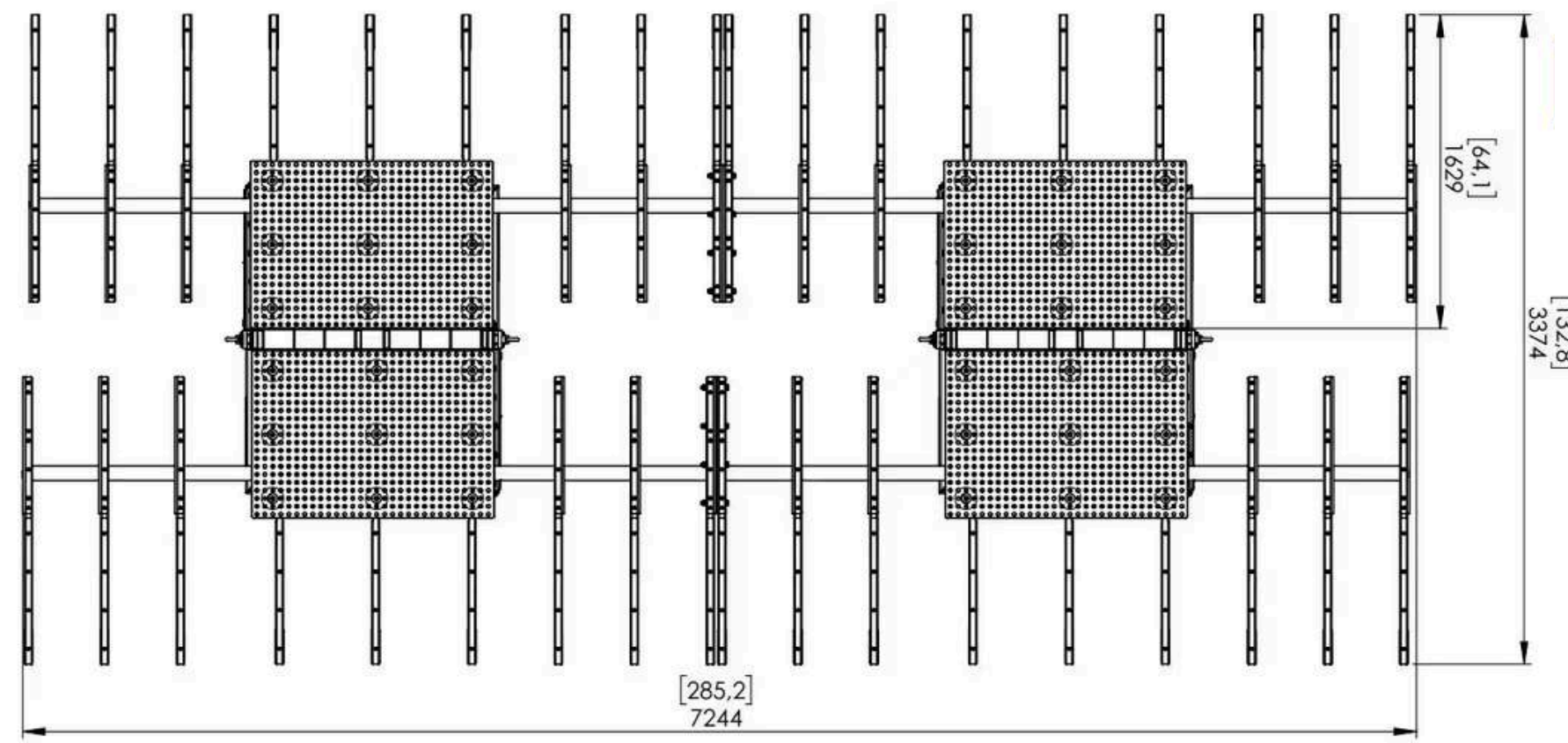


EASYFLIPPER PNEUMATIC DUO EASYFLIPPER + L- SUPPORT ARMS (EF-PDL)



Technical Details

- Flipping time: 10-15 sec
- Max. payload: 1038 kg
- Table length: 7244 mm
- Table width: 1637 mm
- Max. part height: 100 mm
- Max. height with EPP: 200 mm
- Machine length: 7244 mm
- Machine width: 3374 mm
- Machine height: 875 mm
- Working height: 818 mm
- Weight: 1950 kg
- Air pressure (min-max): 6-10 bar
- Voltage: 230 V AC
- Electric power: 200 W

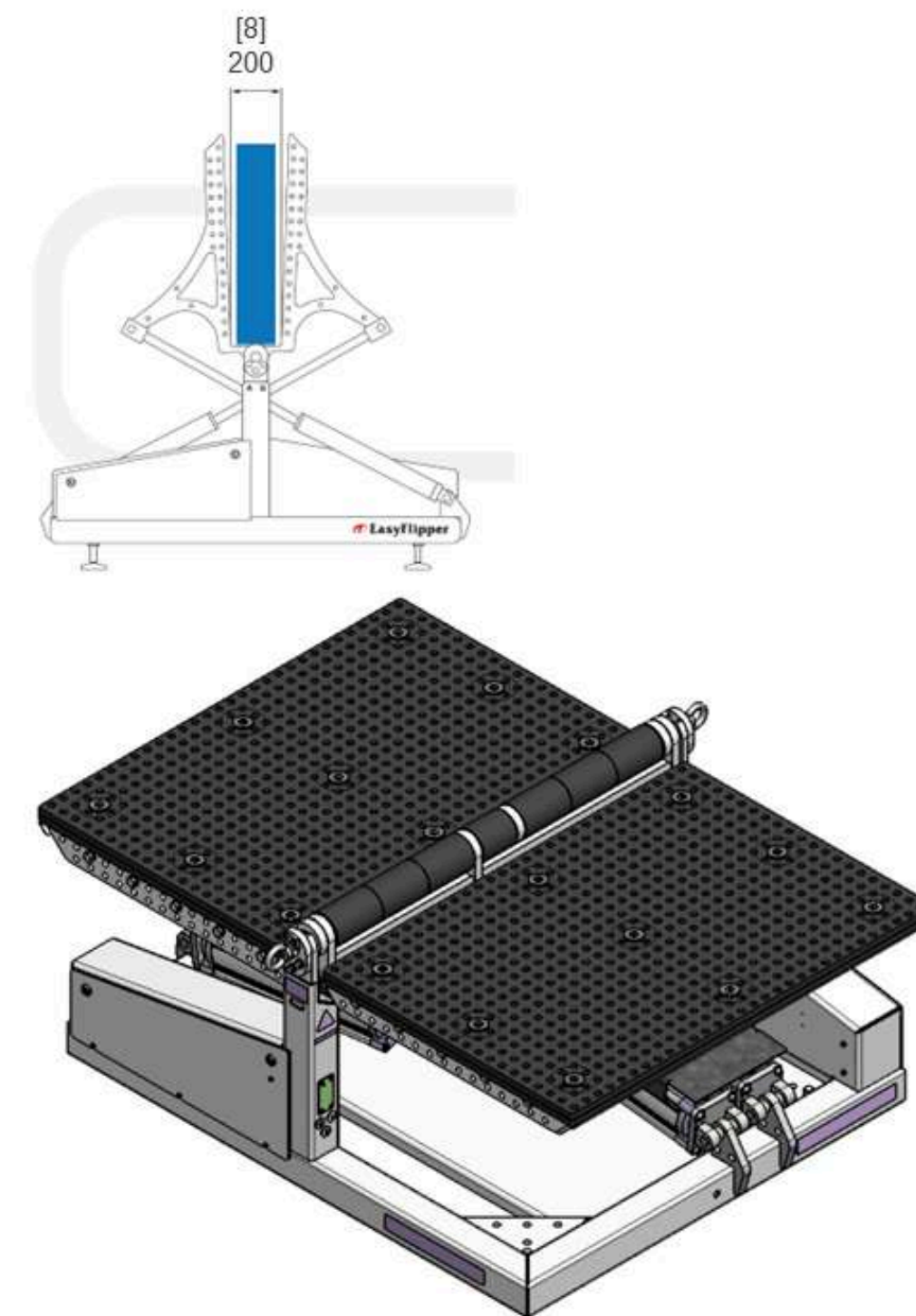
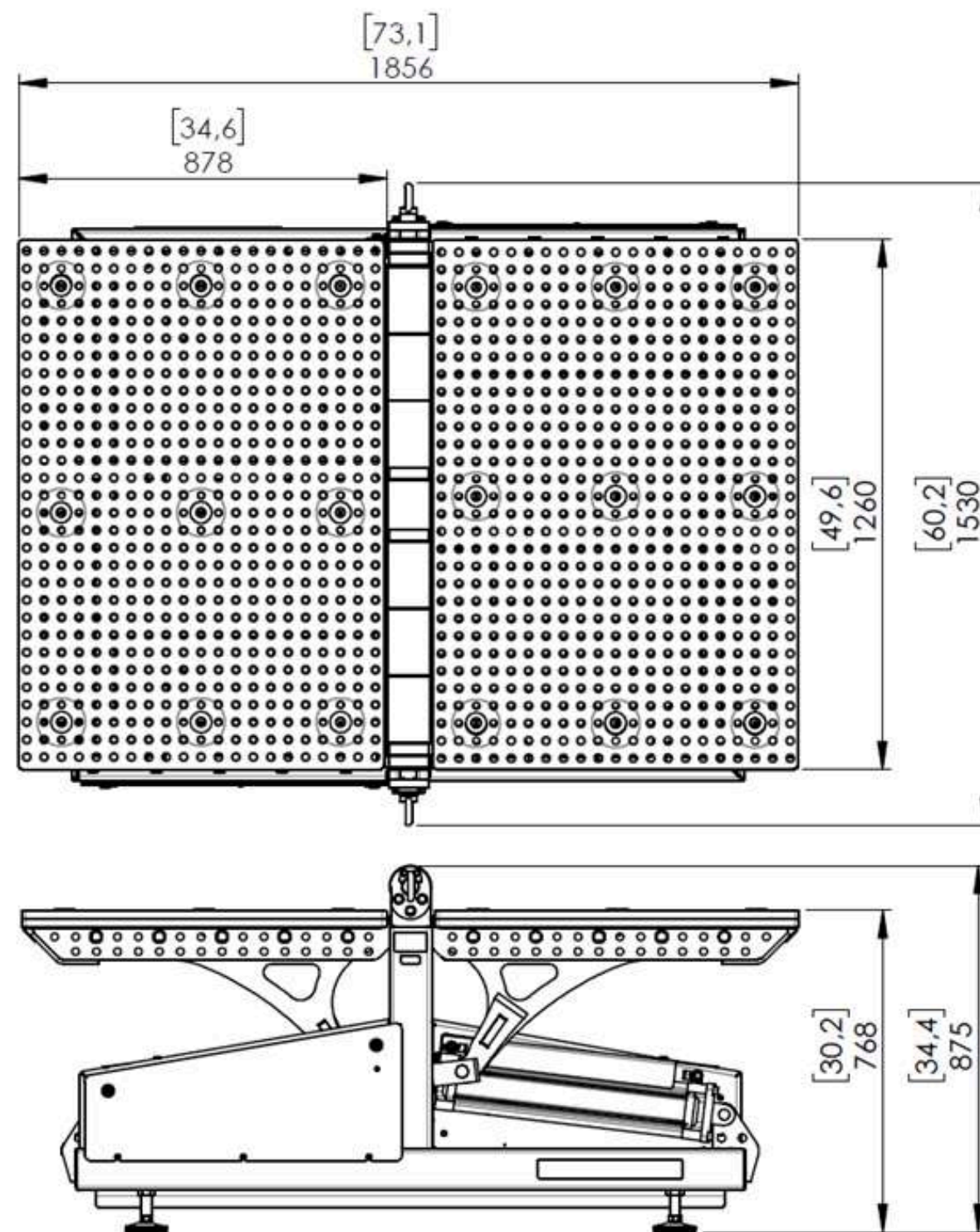


EASYFLIPPER PNEUMATIC DUO EASYFLIPPER + L- & W- SUPPORT ARMS (EF-PDLW)



Technical Details

- Flipping time: 8-10 sec
- Max. payload: 746 kg
- Table length: 1260 mm
- Table width: 878 mm
- Max. part height: 200 mm
- Max. height with EPP: 300 mm
- Machine length: 1530 mm
- Machine width: 1856 mm
- Machine height: 875 mm
- Working height: 768 mm
- Weight: 735 kg
- Air pressure (min-max): 6-10 bar
- Voltage: 230 V AC
- Electric power: 100 W

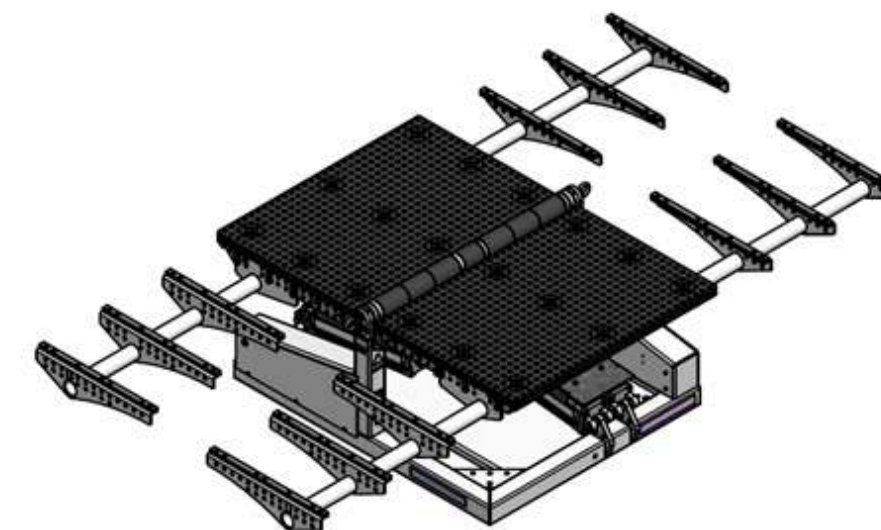
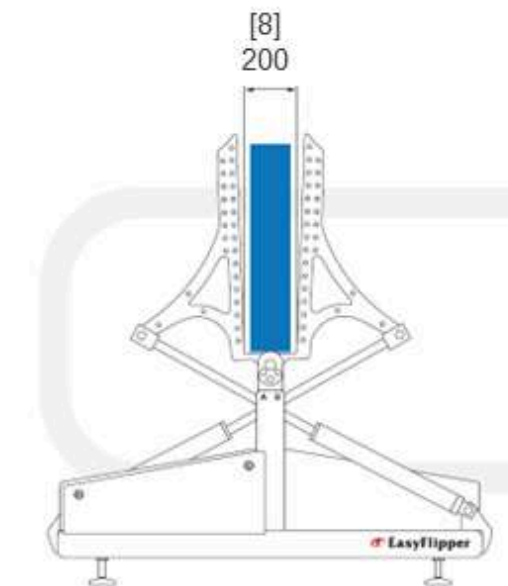
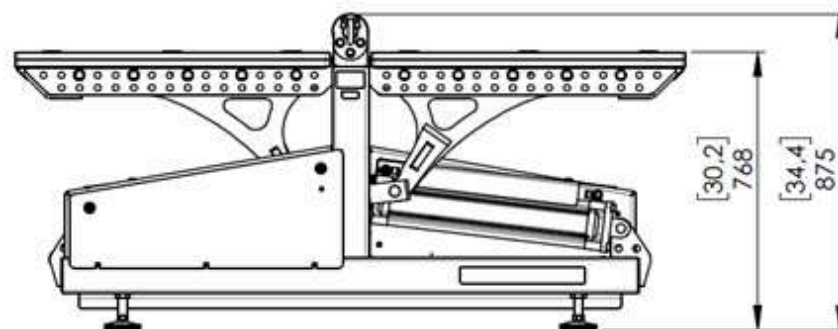
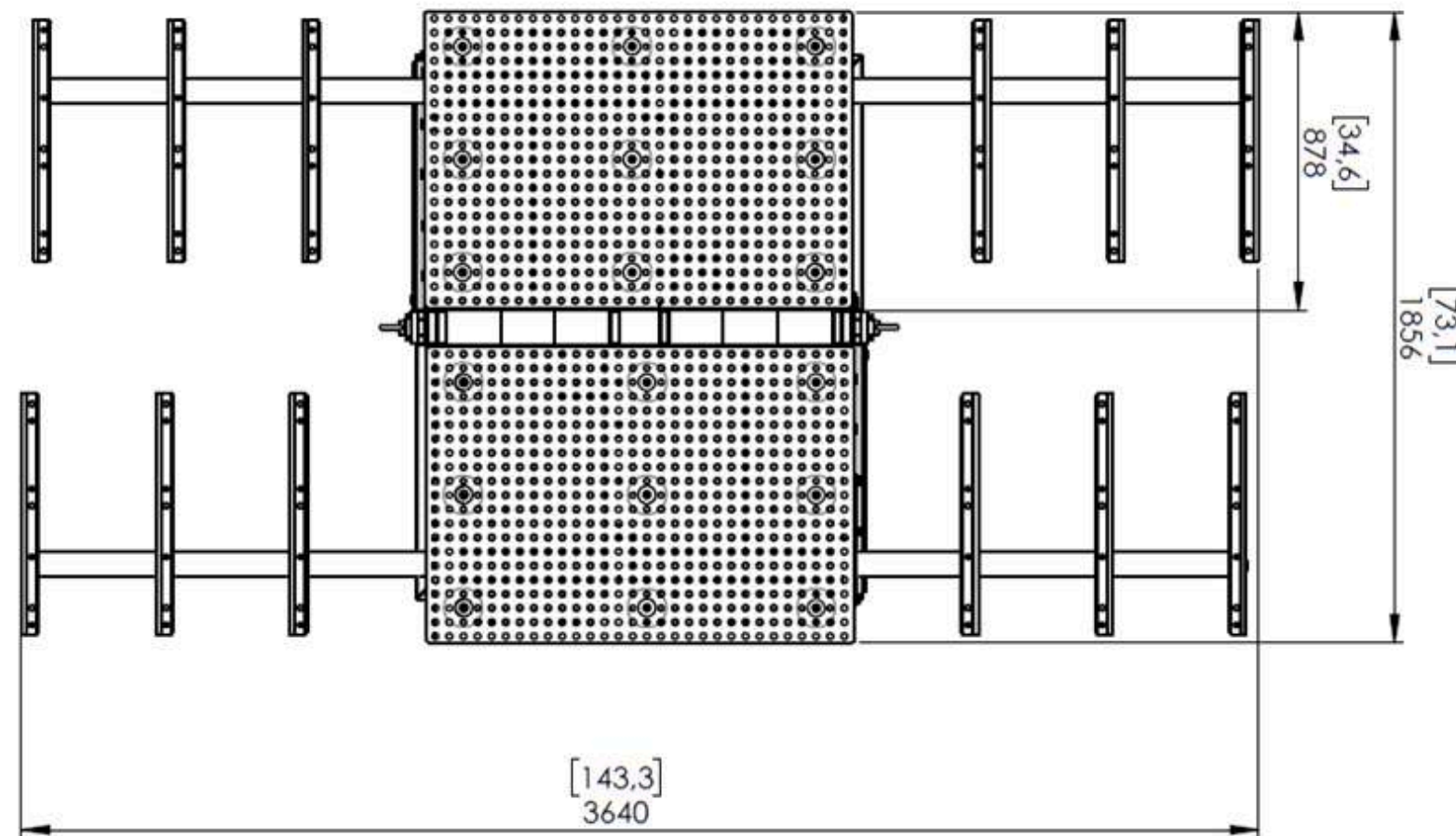


EASYFLIPPER PNEUMATIC T-TABLE (EF-PT)



Technical Details

- Flipping time: 10-15 sec
- Max. payload: 694 kg
- Table length: 3640 mm
- Table width: 878 mm
- Max. part height: 200 mm
- Max. height with EPP: 300 mm
- Machine length: 3640 mm
- Machine width: 1856 mm
- Machine height: 875 mm
- Working height: 768 mm
- Weight: 840 kg
- Air pressure (min-max): 6-10 bar
- Voltage: 230 V AC
- Electric power: 100 W

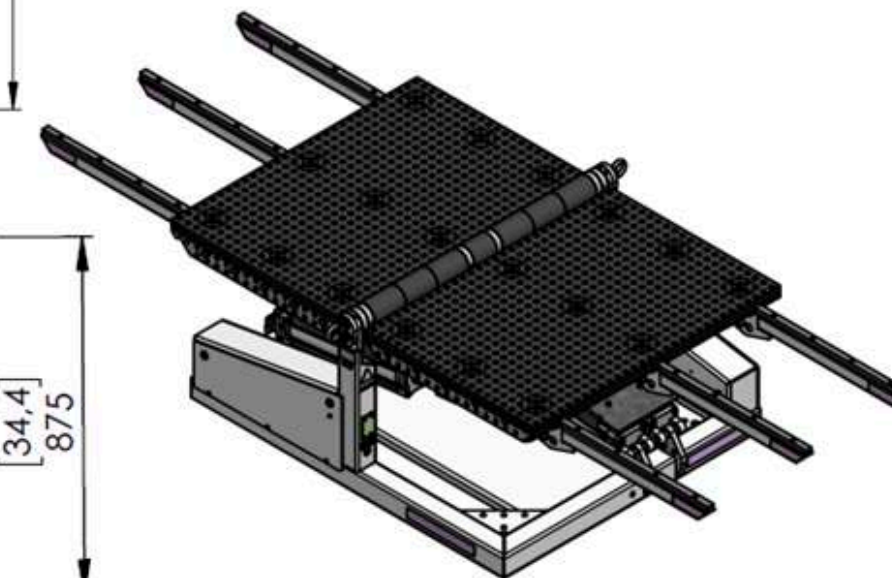
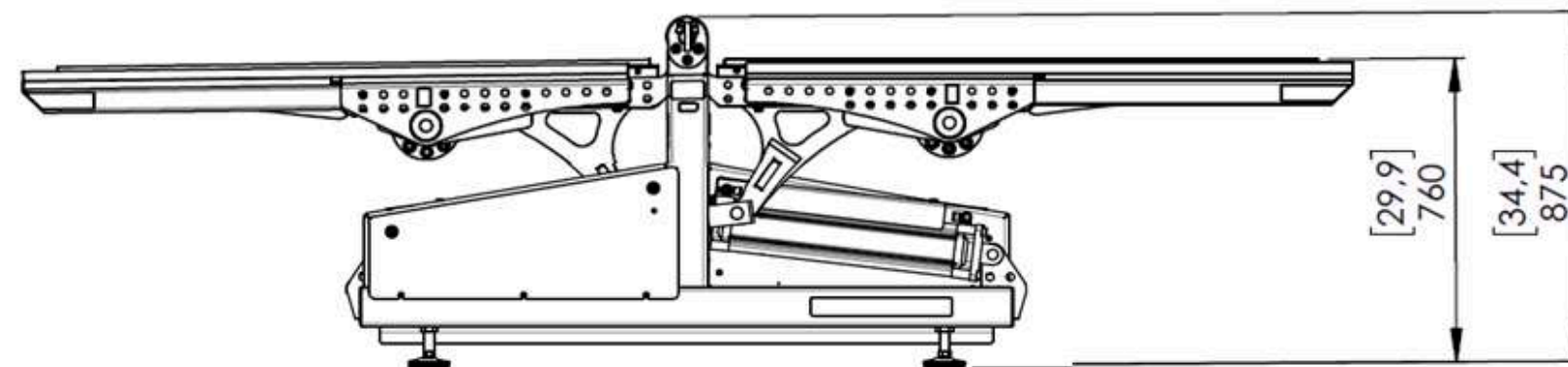
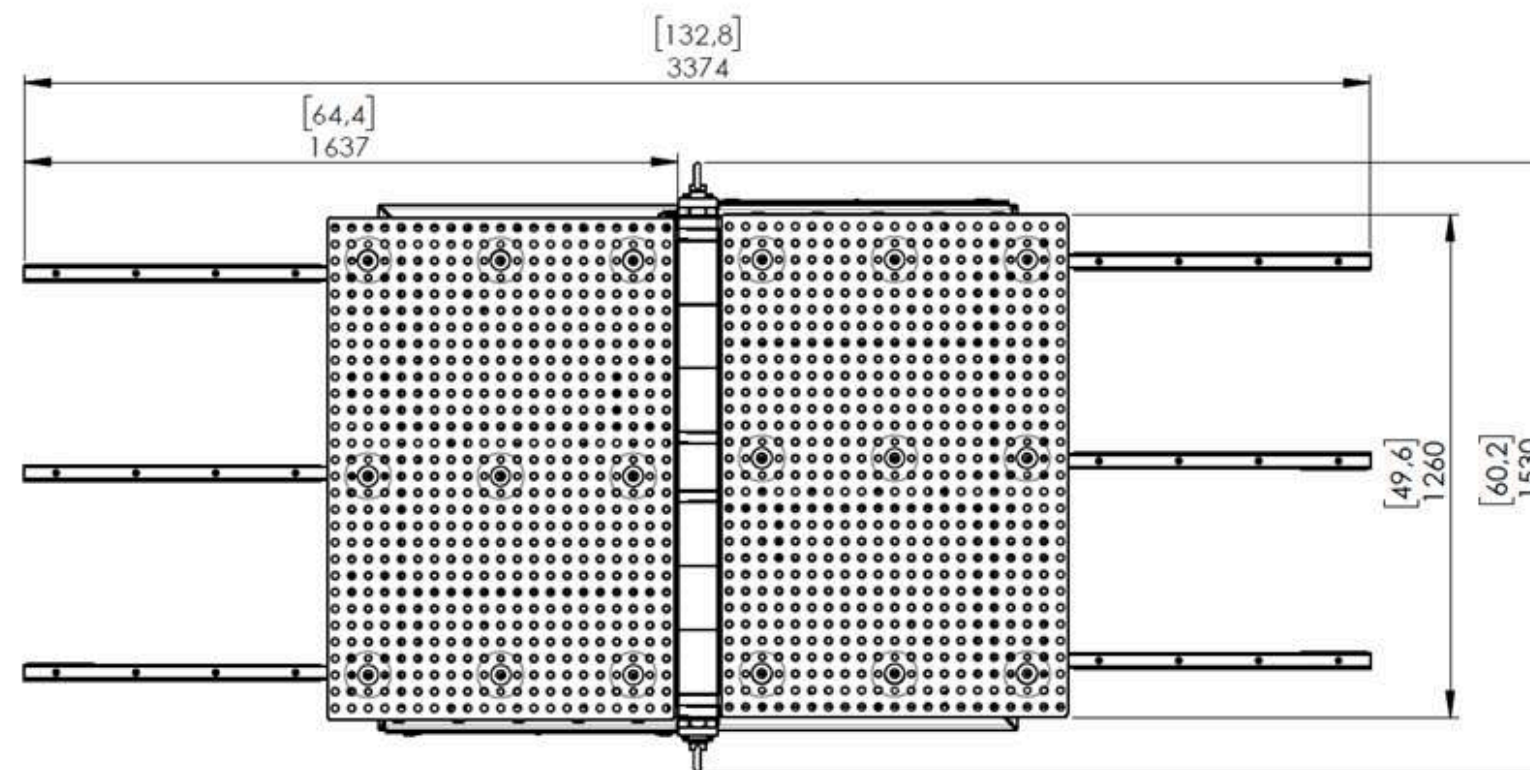


EASYFLIPPER PNEUMATIC L-SUPPORT ARM T-TABLE (EF-PLT)



Technical Details

- Flipping time: 10-15 sec
- Max. payload: 709 kg
- Table length: 1260 mm
- Table width: 1637 mm
- Max. part height: 200 mm
- Max. height with EPP: 300 mm
- Machine length: 1530 mm
- Machine width: 3374 mm
- Machine height: 875 mm
- Working height: 768 mm
- Weight: 775 kg
- Air pressure (min-max): 6-10 bar
- Voltage: 230 V AC
- Electric power: 100 W

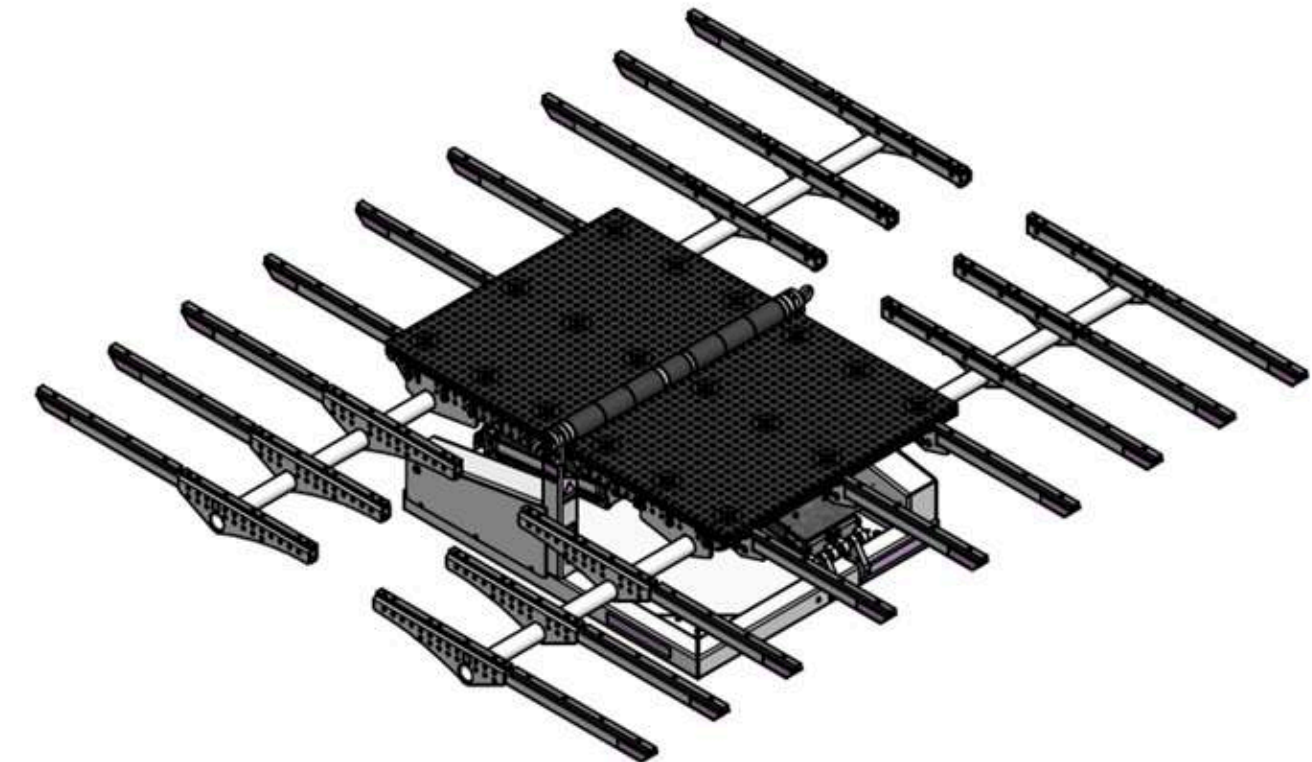
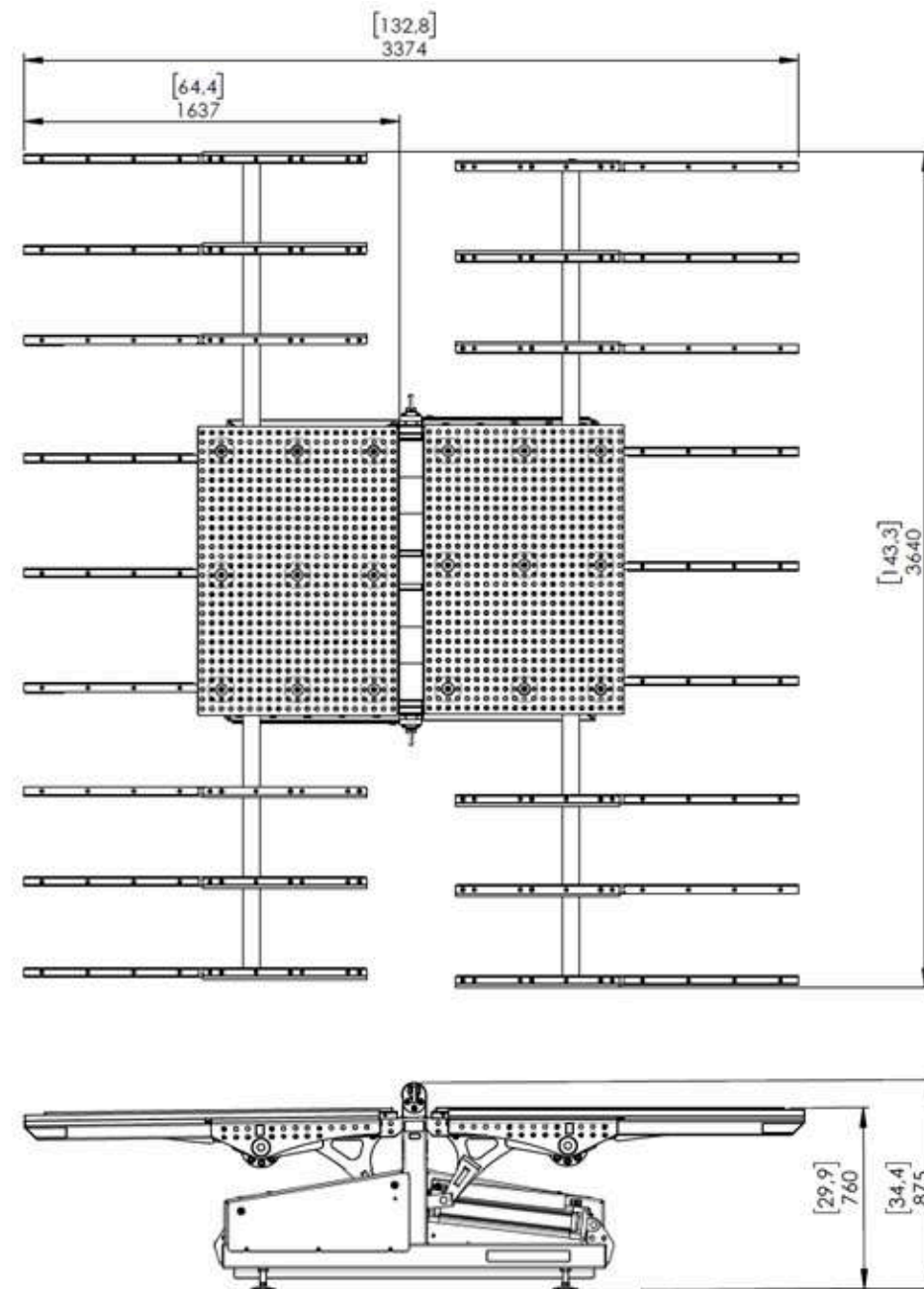


EASYFLIPPER PNEUMATIC W-SUPPORT ARM T-TABLE (EF-PWT)



Technical Details

- Flipping time: 10-15 sec
- Max. payload: 515 kg
- Table length: 3640 mm
- Table width: 1637 mm
- Max. part height: 200 mm
- Max. height with EPP: 300 mm
- Machine length: 3640 mm
- Machine width: 3374 mm
- Machine height: 875 mm
- Working height: 768 mm
- Weight: 983 kg
- Air pressure (min-max): 6-10 bar
- Voltage: 230 V AC
- Electric power: 100 W

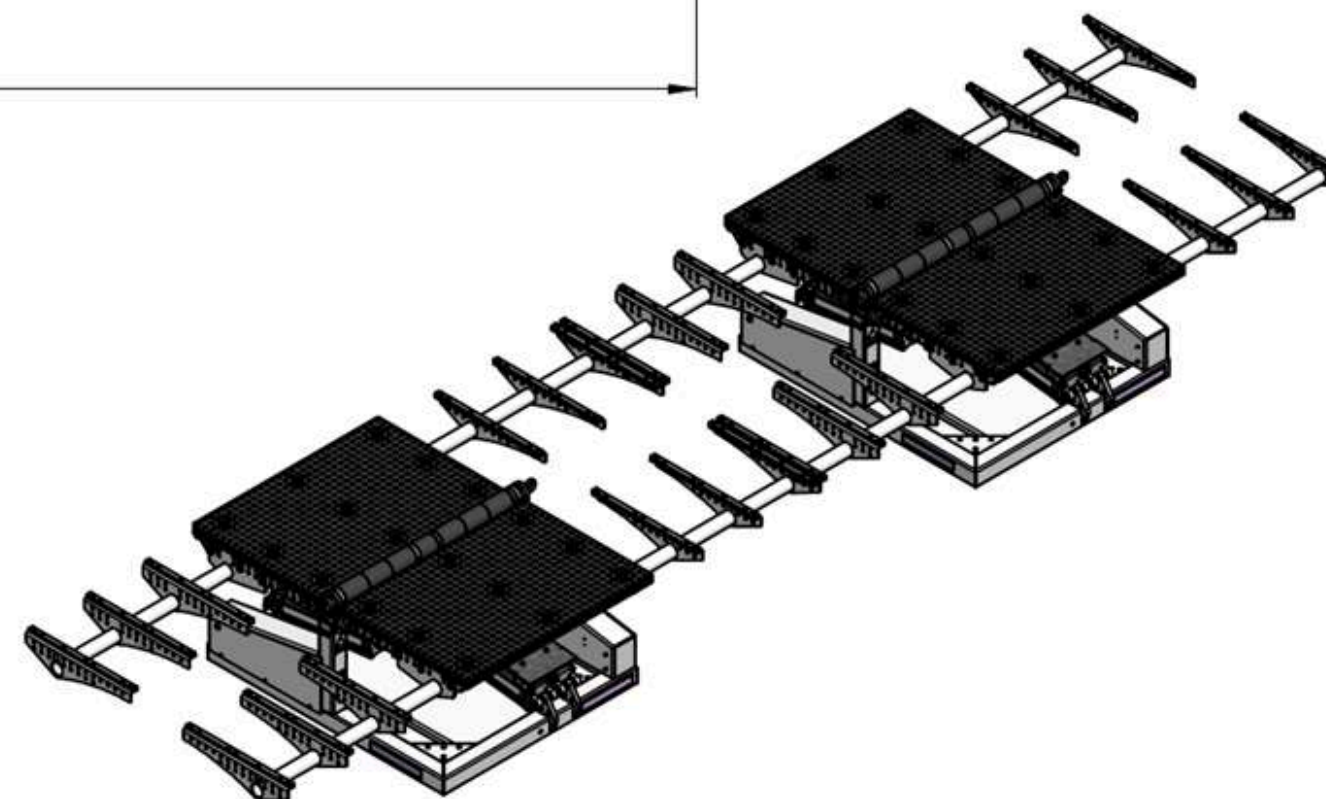
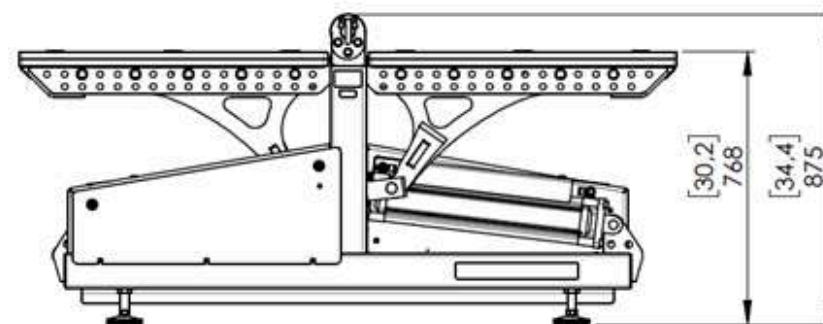
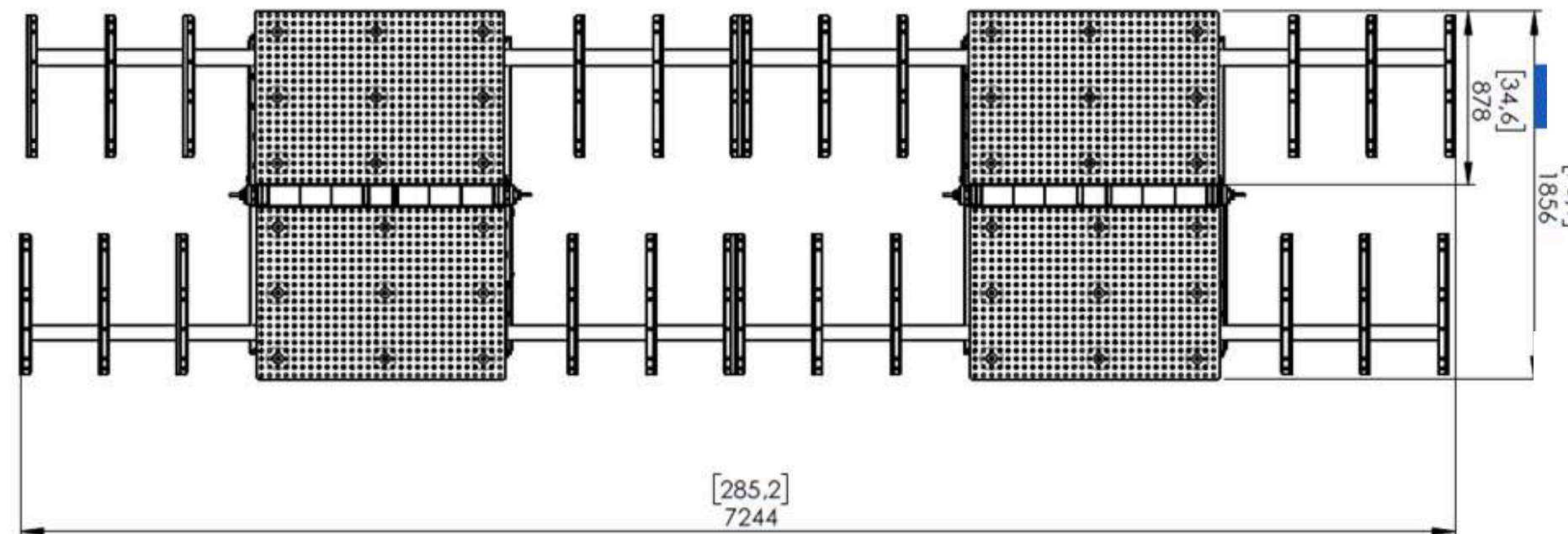


EASYFLIPPER PNEUMATIC L- & W-SUPPORT ARMS T-TABLE (EF-PLWT)



Technical Details

- Flipping time: 10-15 sec
- Max. payload: 1387 kg
- Table length: 7244 mm
- Table width: 878 mm
- Max. part height: 200 mm
- Max. height with EPP: 300 mm
- Machine length: 7244 mm
- Machine width: 1856 mm
- Machine height: 875 mm
- Working height: 768 mm
- Weight: 1681 kg
- Air pressure (min-max): 6-10 bar
- Voltage: 230 V AC
- Electric power: 200 W

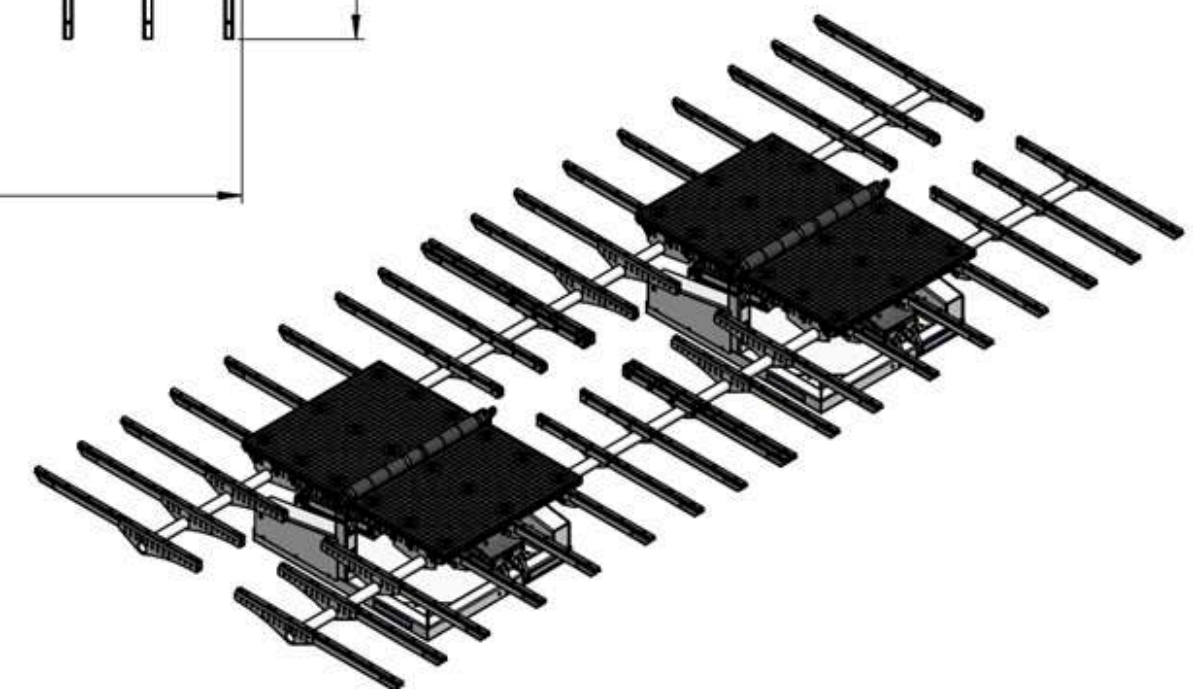
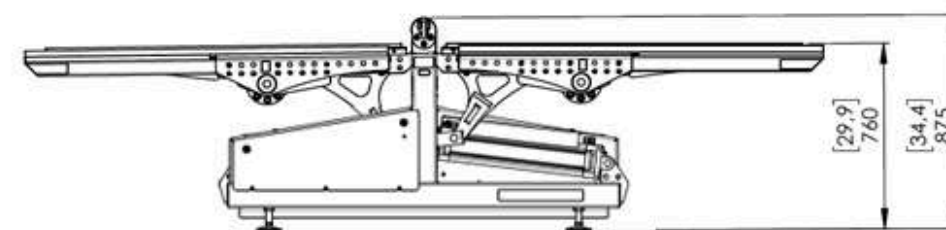
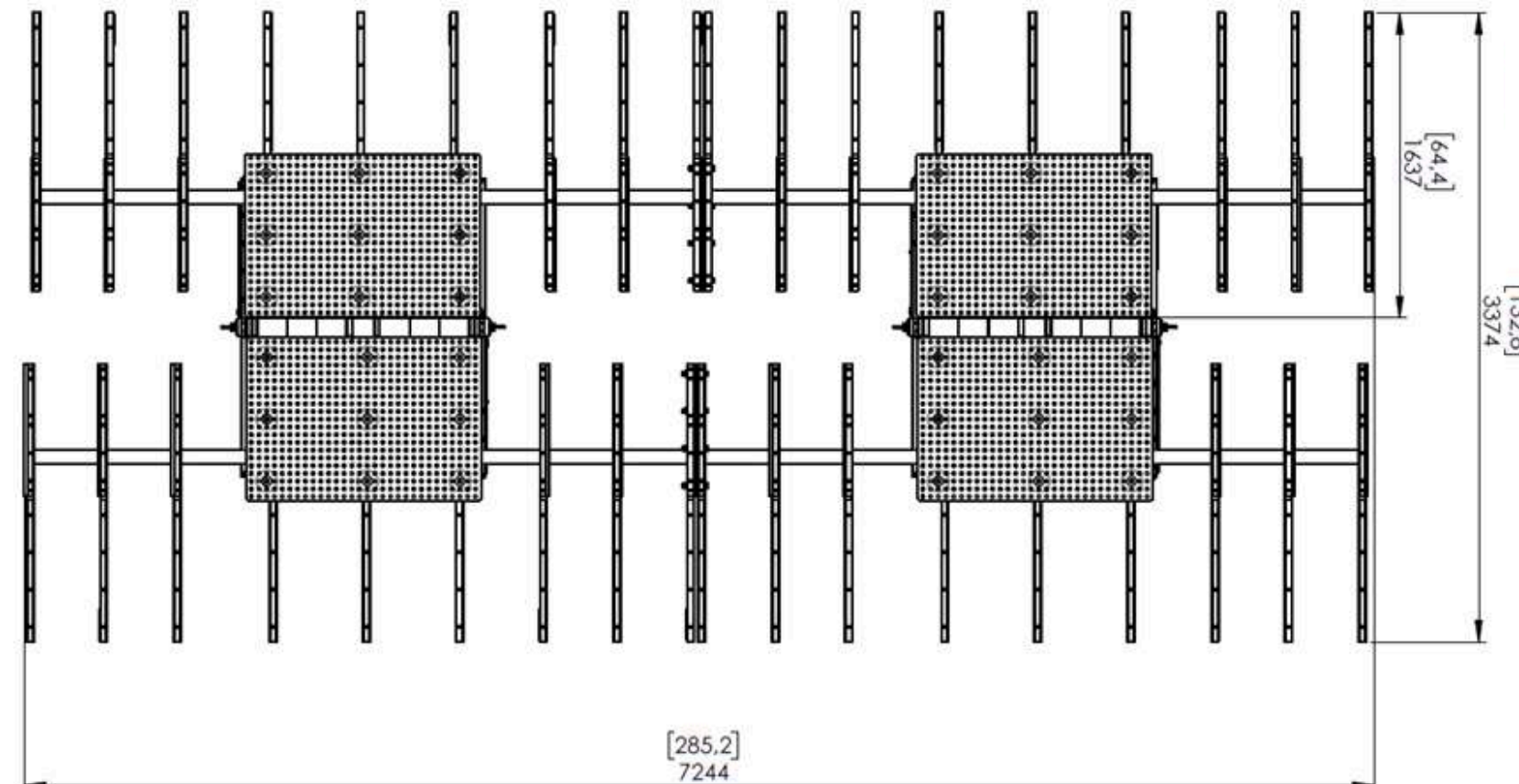


EASYFLIPPER PNEUMATIC DUO EASYFLIPPER + L-SUPPORT ARM T-TABLE (EF-PDLT)



Technical Details

- Flipping time: 10-15 sec
- Max. payload: 1030 kg
- Table length: 7244 mm
- Table width: 1637 mm
- Max. part height: 200 mm
- Max. height with EPP: 300 mm
- Machine length: 7244 mm
- Machine width: 3374 mm
- Machine height: 875 mm
- Working height: 768 mm
- Weight: 1966 kg
- Air pressure (min-max): 6-10 bar
- Voltage: 230 V AC
- Electric power: 200 W

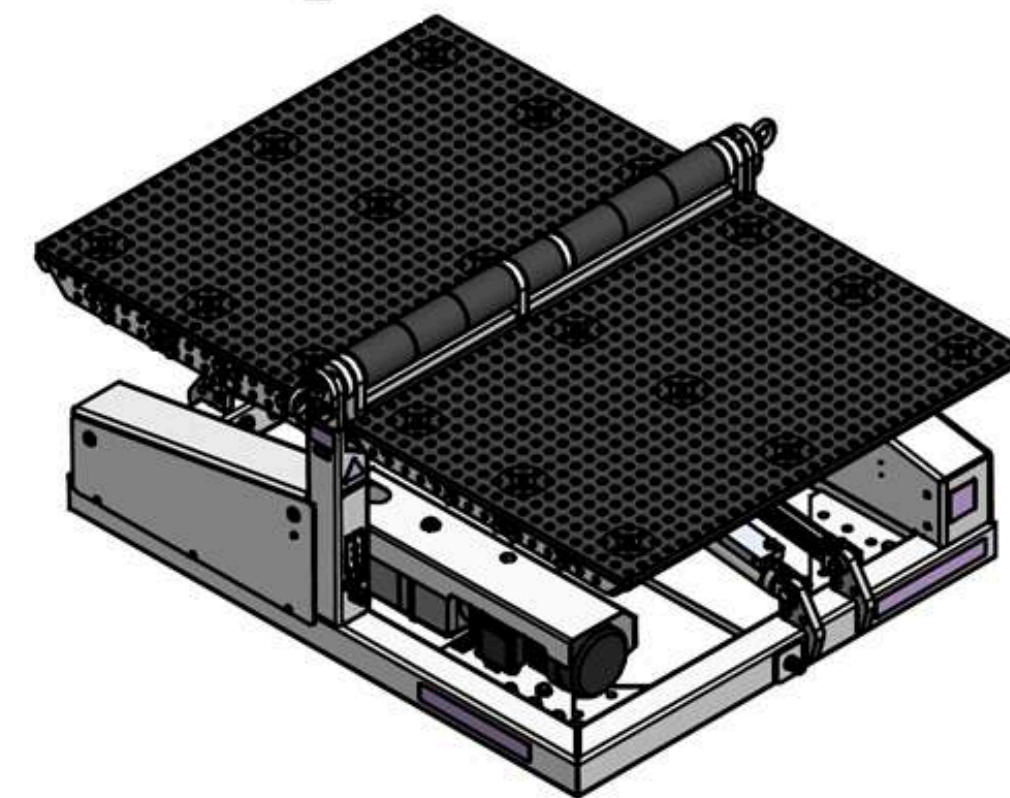
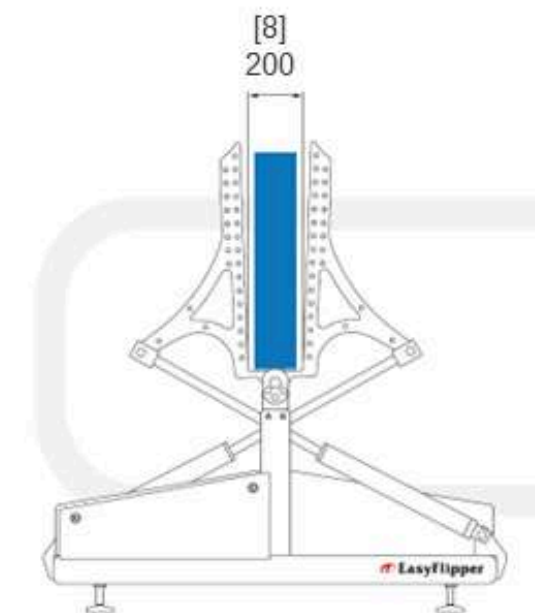
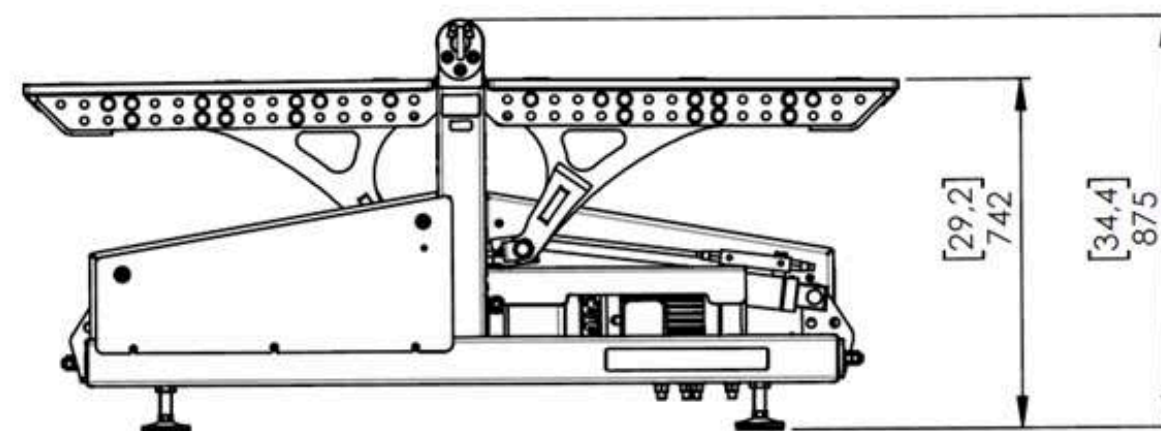
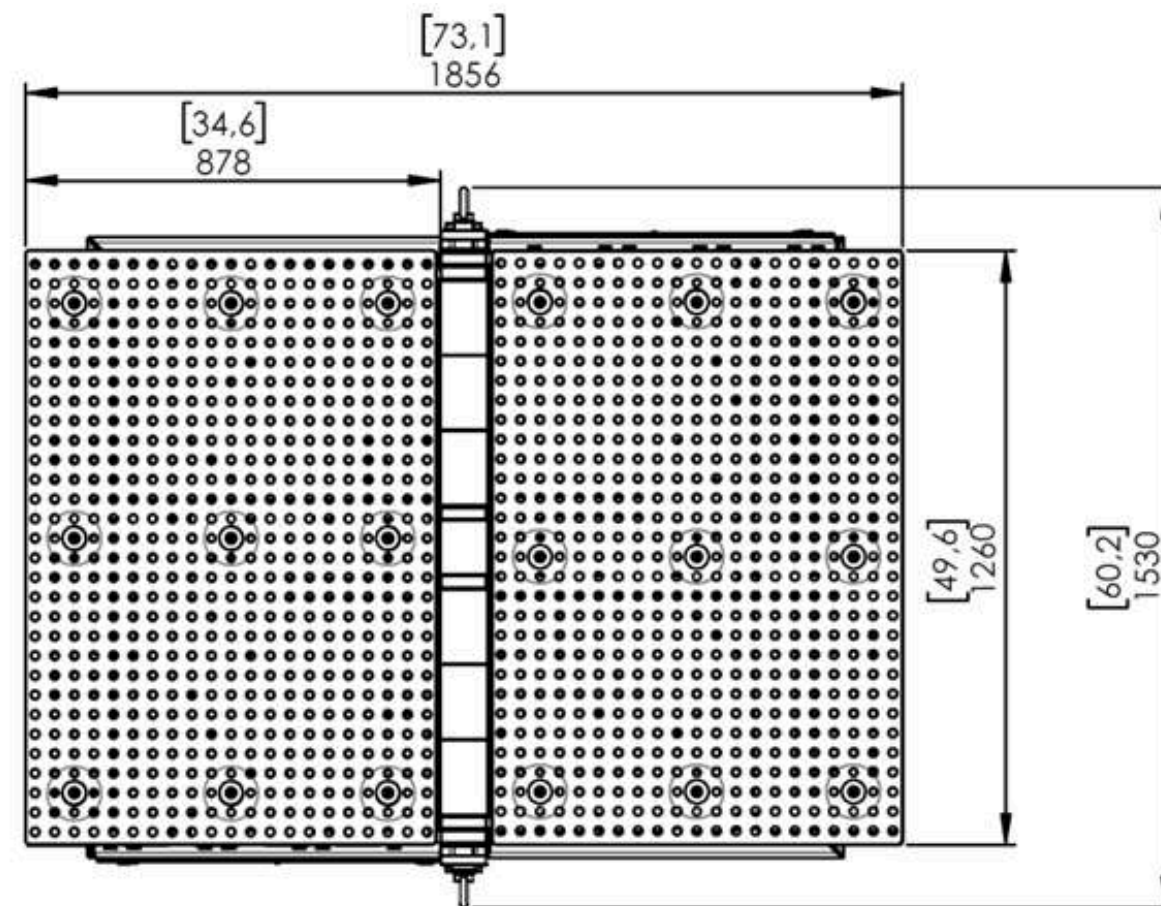


**EASYFLIPPER PNEUMATIC
DUO EASYFLIPPER + L- & W-
SUPPORT ARMS T-TABLE (EF-PDLWT)**



Technical Details

- Flipping time: 45-60 sec
- Max. payload: 5000 kg
- Table length: 1260 mm
- Table width: 878 mm
- Max. part height: 200 mm
- Max. height with EPP: 300 mm
- Machine length: 1530 mm
- Machine width: 1856 mm
- Machine height: 875 mm
- Working height: 742 mm
- Weight: 982 kg
- Voltage: 400 / 480 V AC
- Electric power: 2200 W

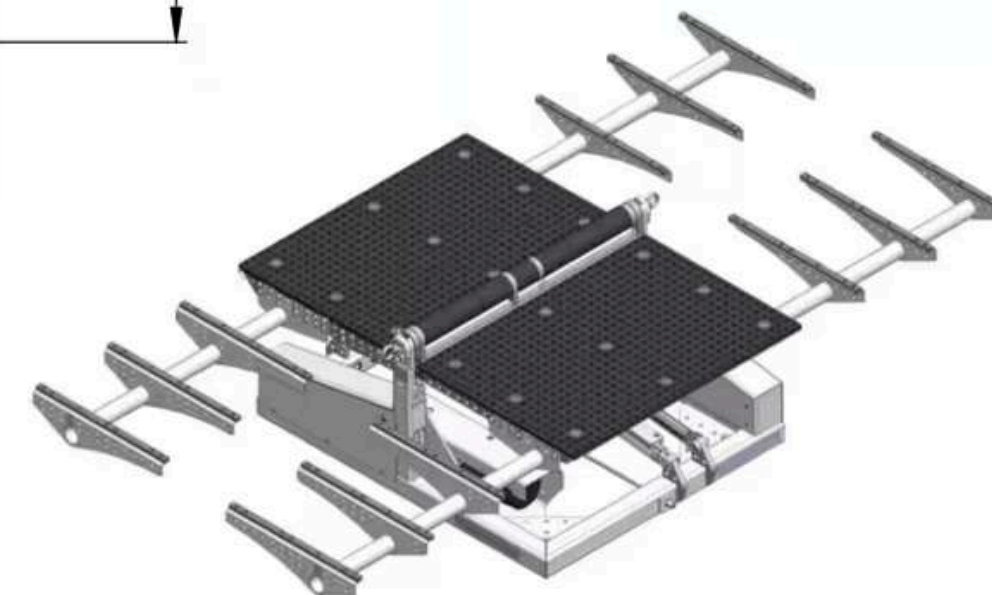
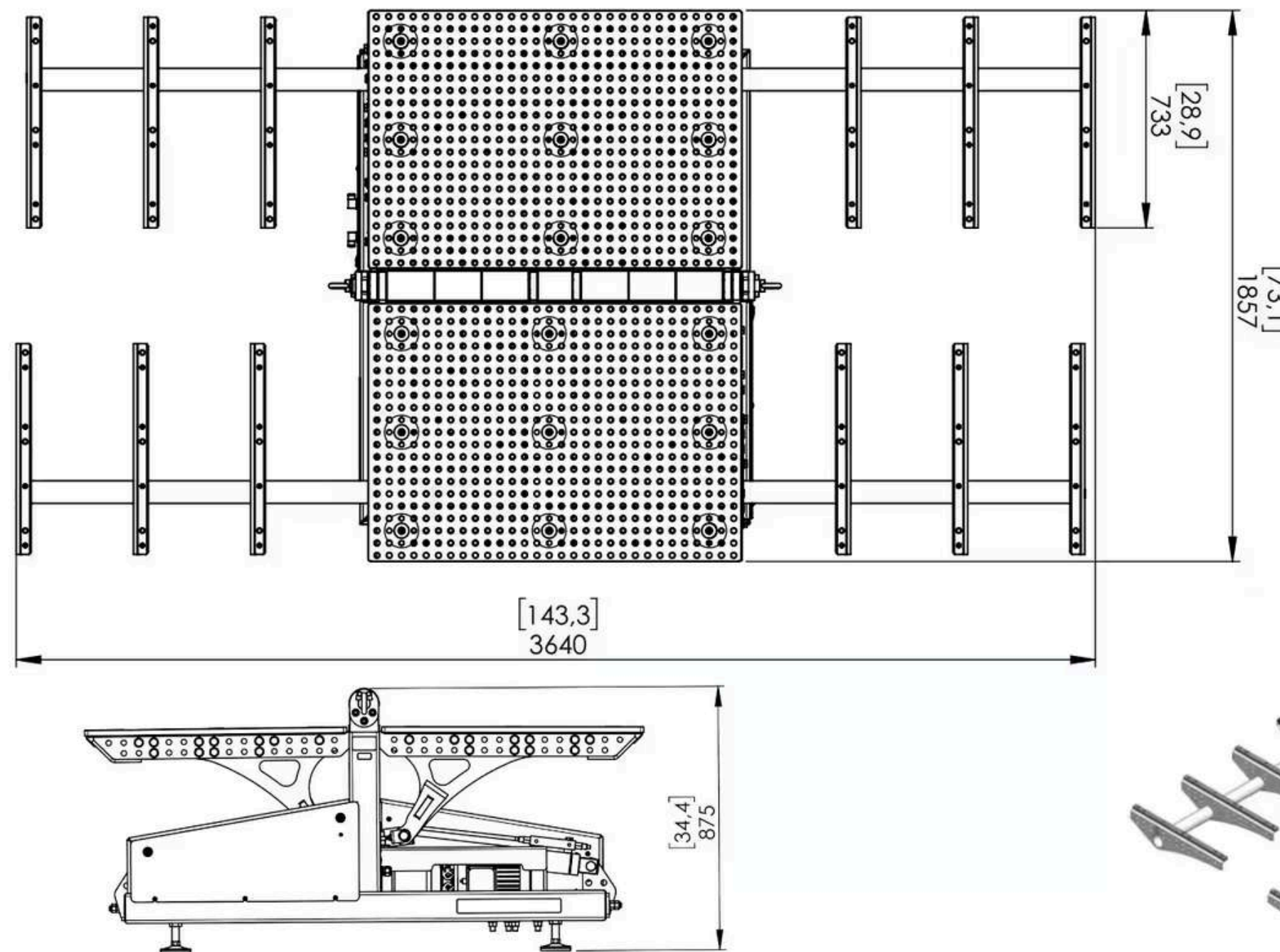


EASYFLIPPER HYDRAULIC STANDARD (EF-HS)



Technical Details

- Flipping time: 45-60 sec
- Max. payload: 4980 kg
- Table length: 3640 mm
- Table width: 878 mm
- Max. part height: 200 mm
- Max. height with EPP: 300 mm
- Machine length: 3640 mm
- Machine width: 1856 mm
- Machine height: 875 mm
- Working height: 742 mm
- Weight: 1025 kg
- Voltage: 400 / 480 V AC
- Electric power: 2200 W

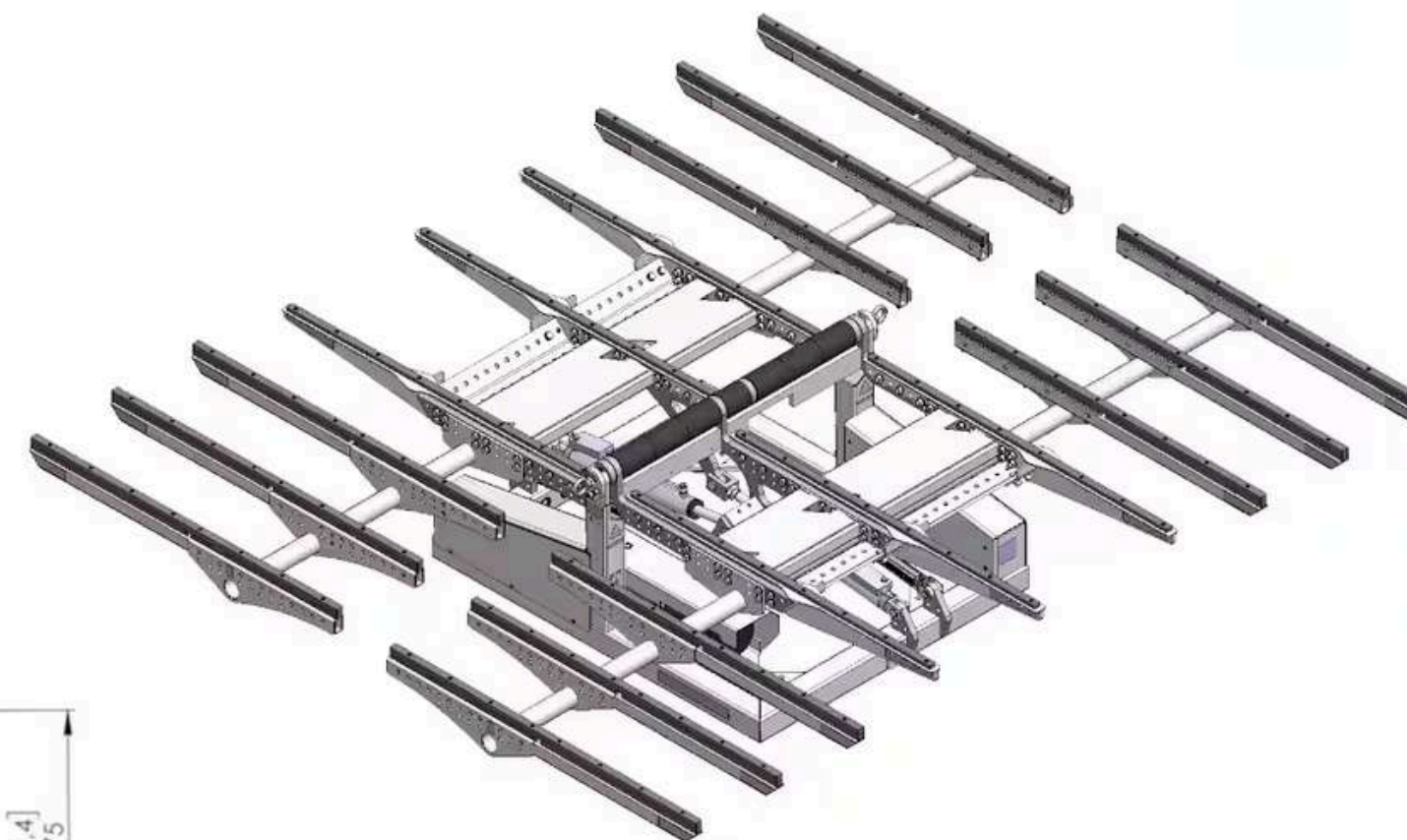
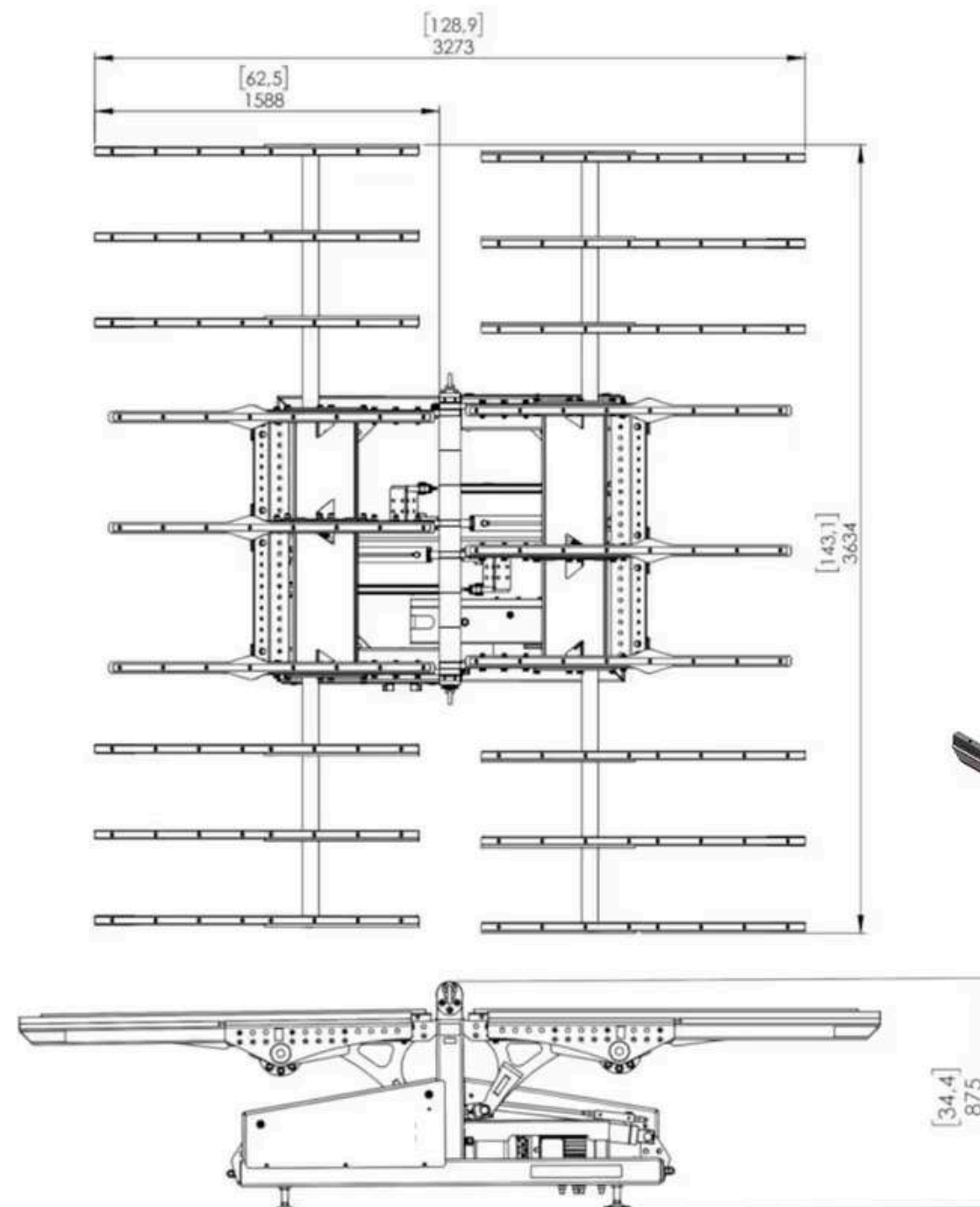


EASYFLIPPER HYDRAULIC L-SUPPORT ARMS (EF-HL)



Technical Details

- Flipping time: 45-60 sec
- Max. payload: 4740 kg
- Table length: 3640 mm
- Table width: 1586 mm
- Max. part height: 200 mm
- Max. height with EPP: 300 mm
- Machine length: 3640 mm
- Machine width: 3272 mm
- Machine height: 875 mm
- Working height: 760 mm
- Weight: 1082 kg
- Voltage: 400 / 480 V AC
- Electric power: 2200 W

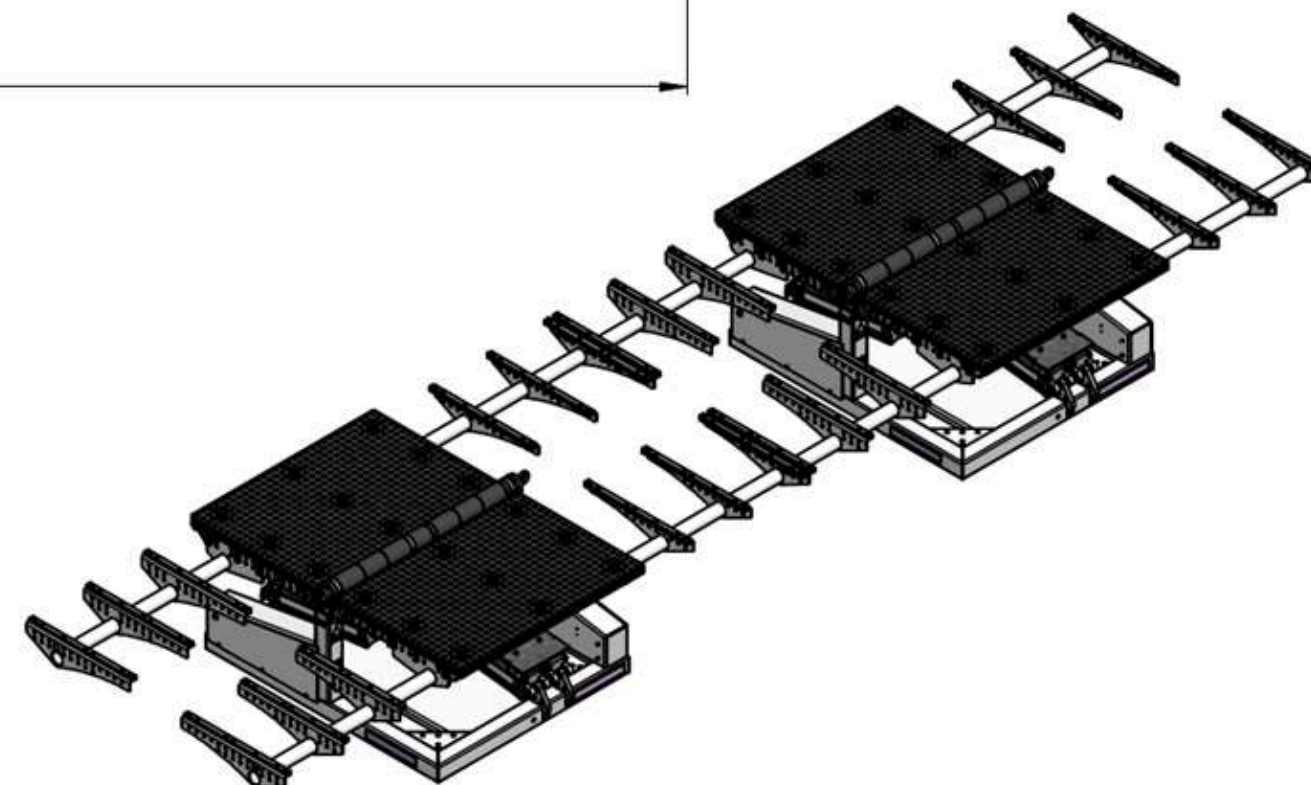
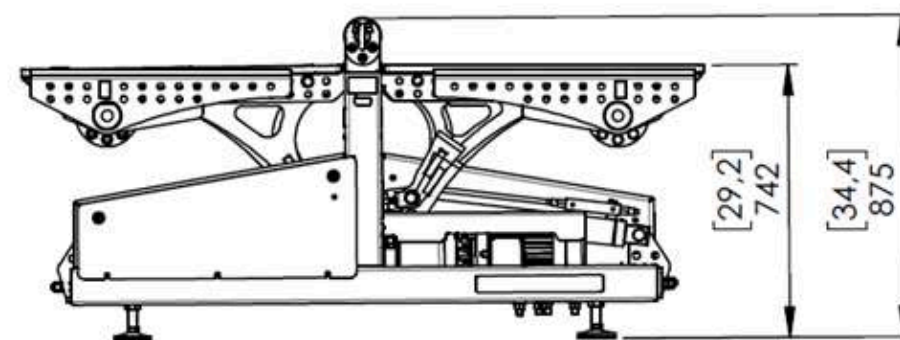
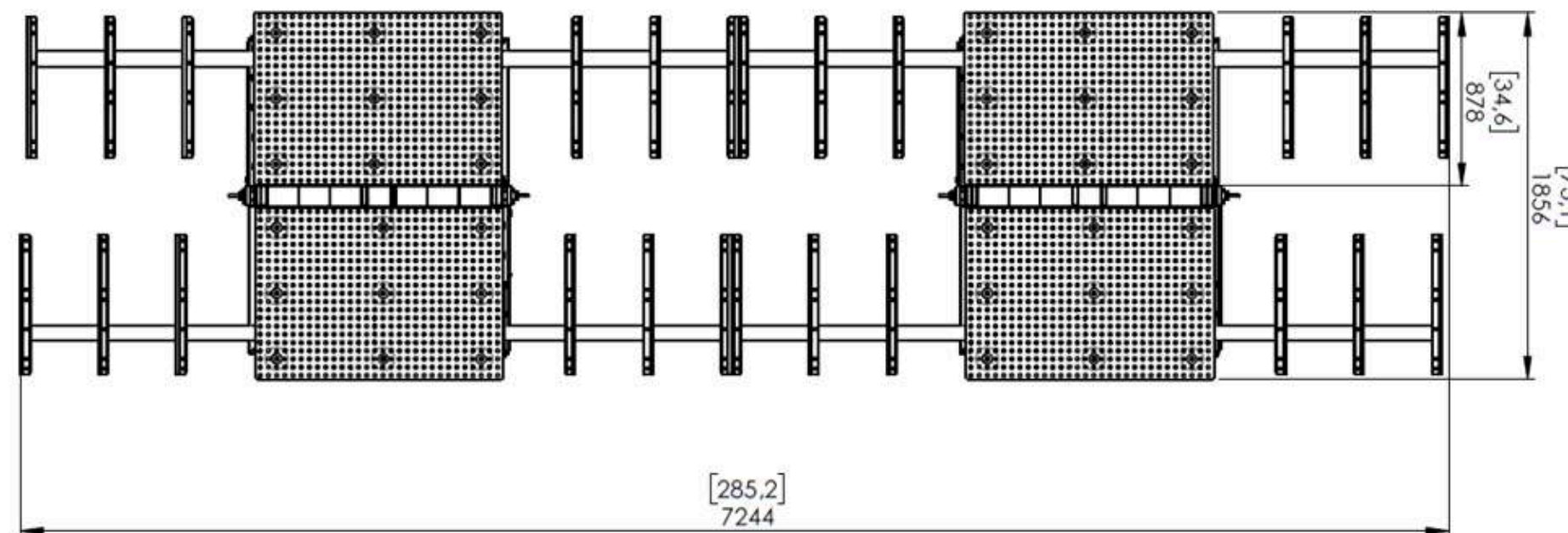


EASYFLIPPER HYDRAULIC L- & W-SUPPORT ARMS (EF-HLW)



Technical Details

- Flipping time: 45-60 sec
- Max. payload: 9752 kg
- Table length: 7244 mm
- Table width: 878 mm
- Max. part height: 200 mm
- Max. height with EPP: 300 mm
- Machine length: 7244 mm
- Machine width: 1856 mm
- Machine height: 875 mm
- Working height: 760 mm
- Weight: 2460 kg
- Voltage: 400 / 480 V AC
- Electric power: 4400 W

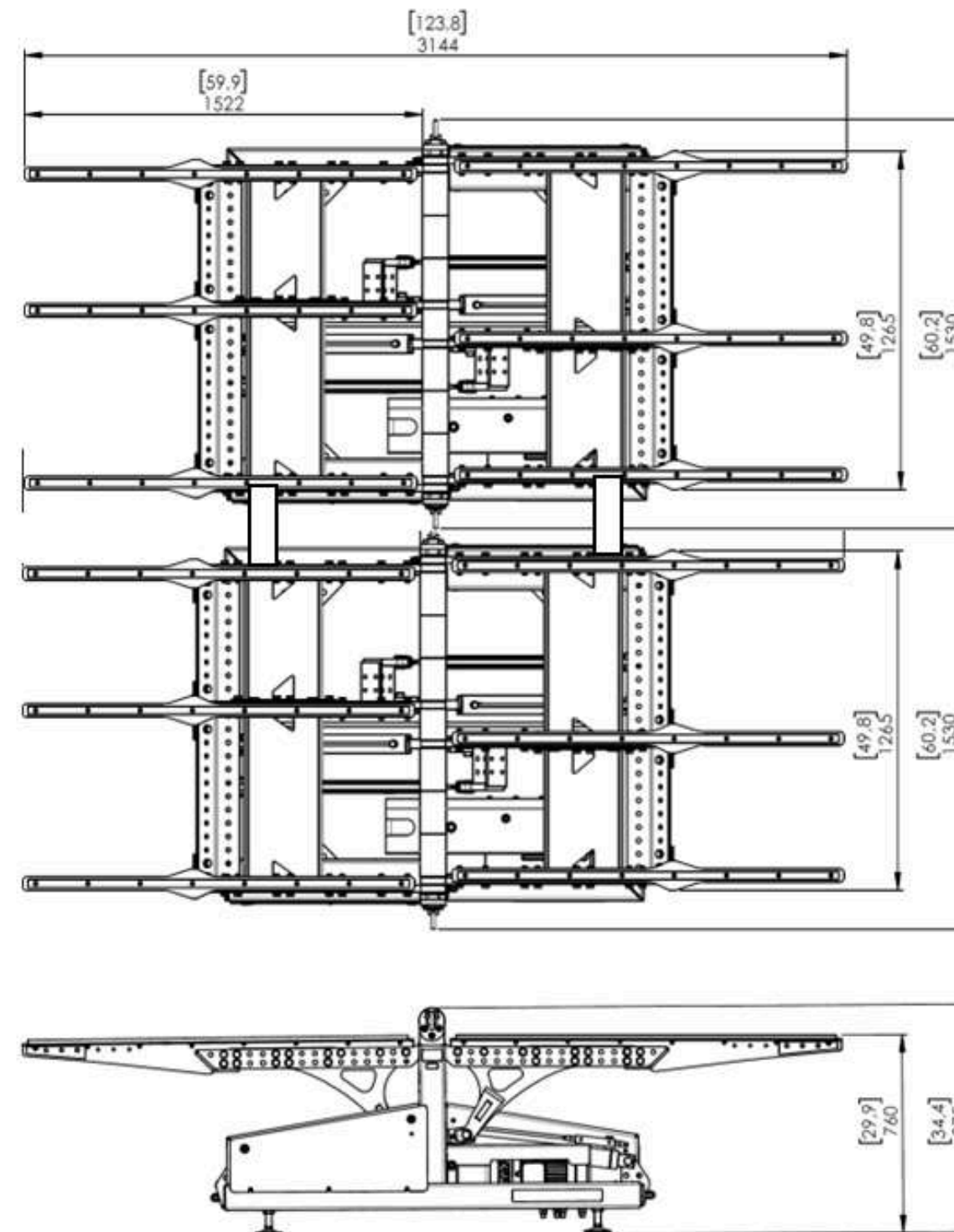


EASYFLIPPER HYDRAULIC DUO EASYFLIPPER + L-SUPPORT ARM (EF-HDL)



Technical Details

- Flipping time: 45-60 sec
- Max. payload: 9854 kg
- Table length: 2795 mm
- Table width: 1522 mm
- Max. part height: 200 mm
- Max. height with EPP: 300 mm
- Machine length: 3060 mm
- Machine width: 1856 mm
- Machine height: 875 mm
- Working height: 760 mm
- Weight: 2004 kg
- Voltage: 400 / 480 V AC
- Electric power: 4400 W

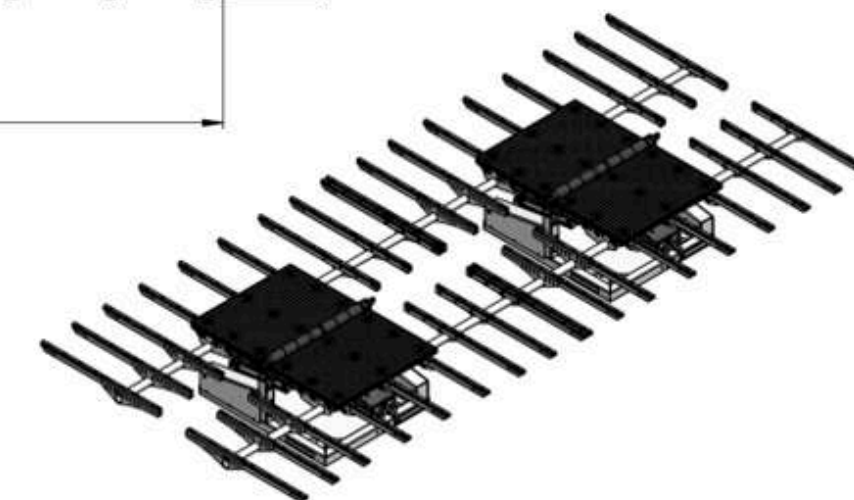
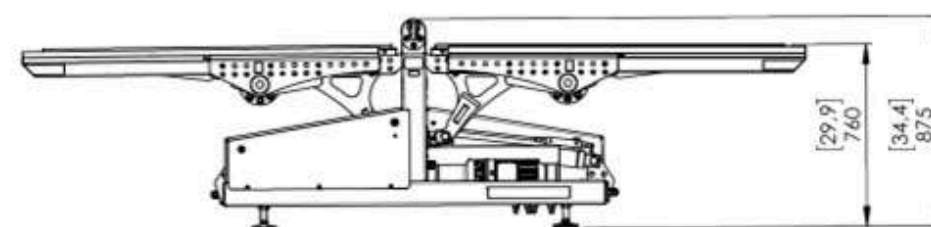
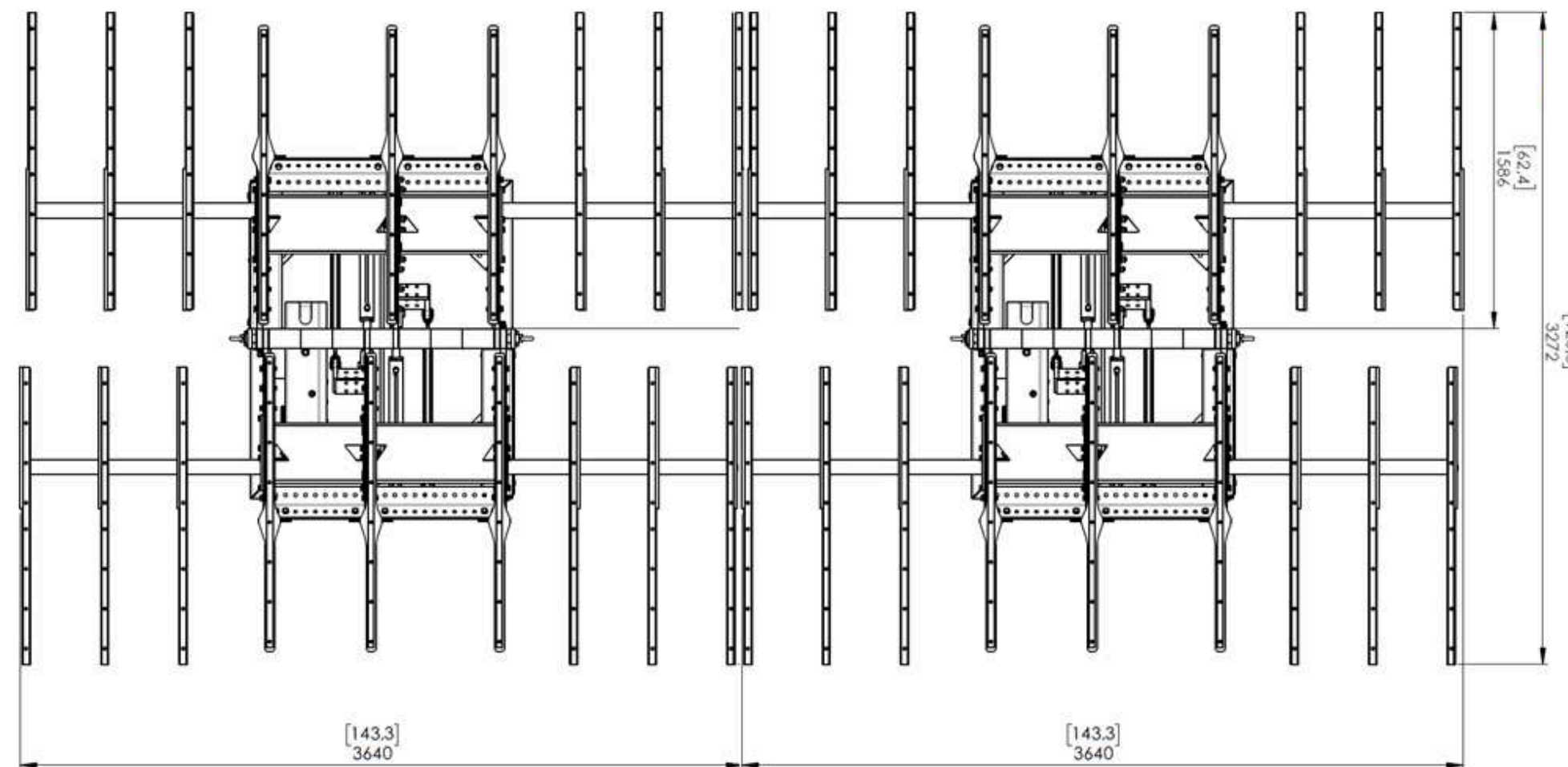


EASYFLIPPER HYDRAULIC DUO EASYFLIPPER + W-SUPPORT ARM (EF-HDW)

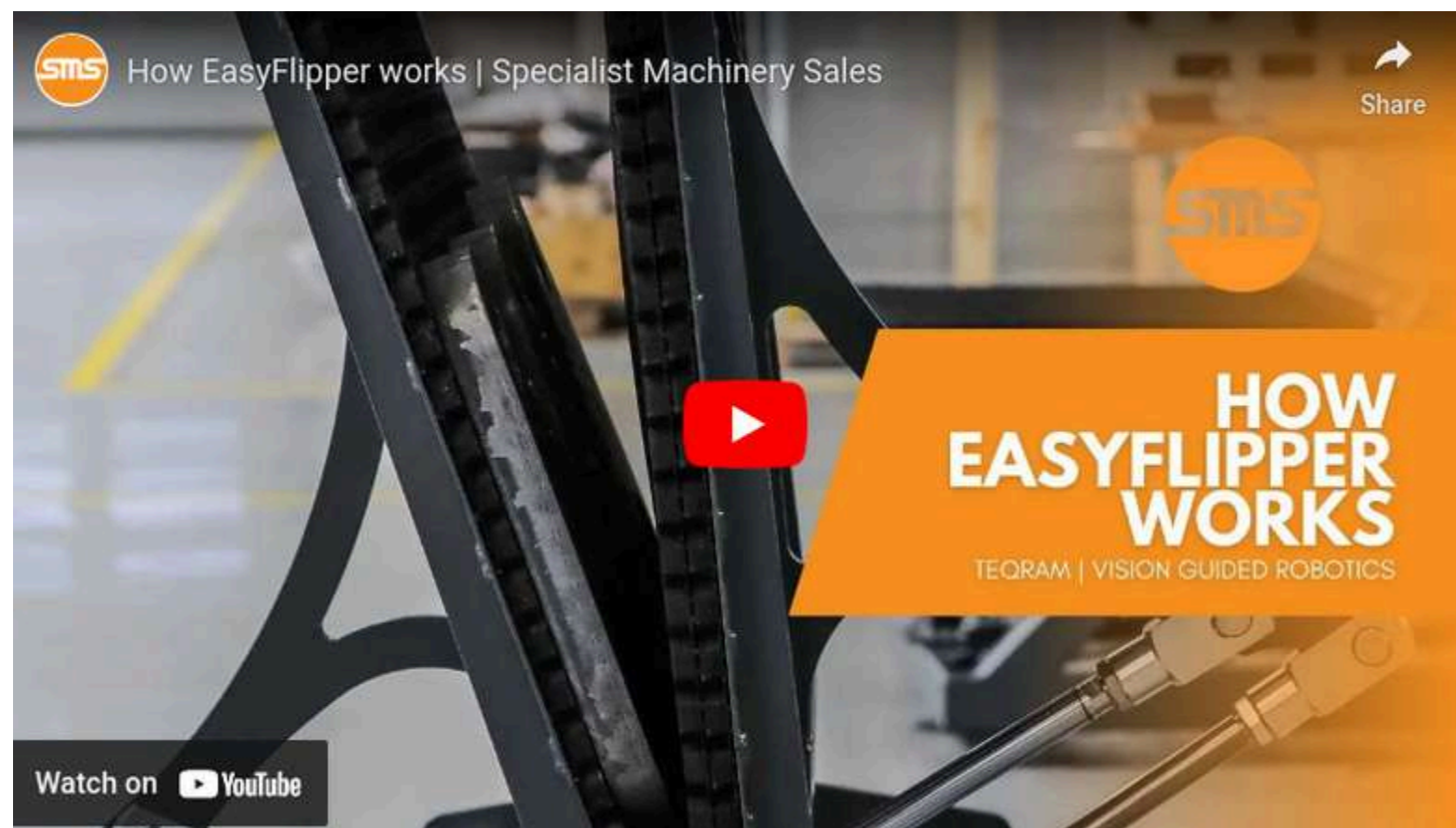


Technical Details

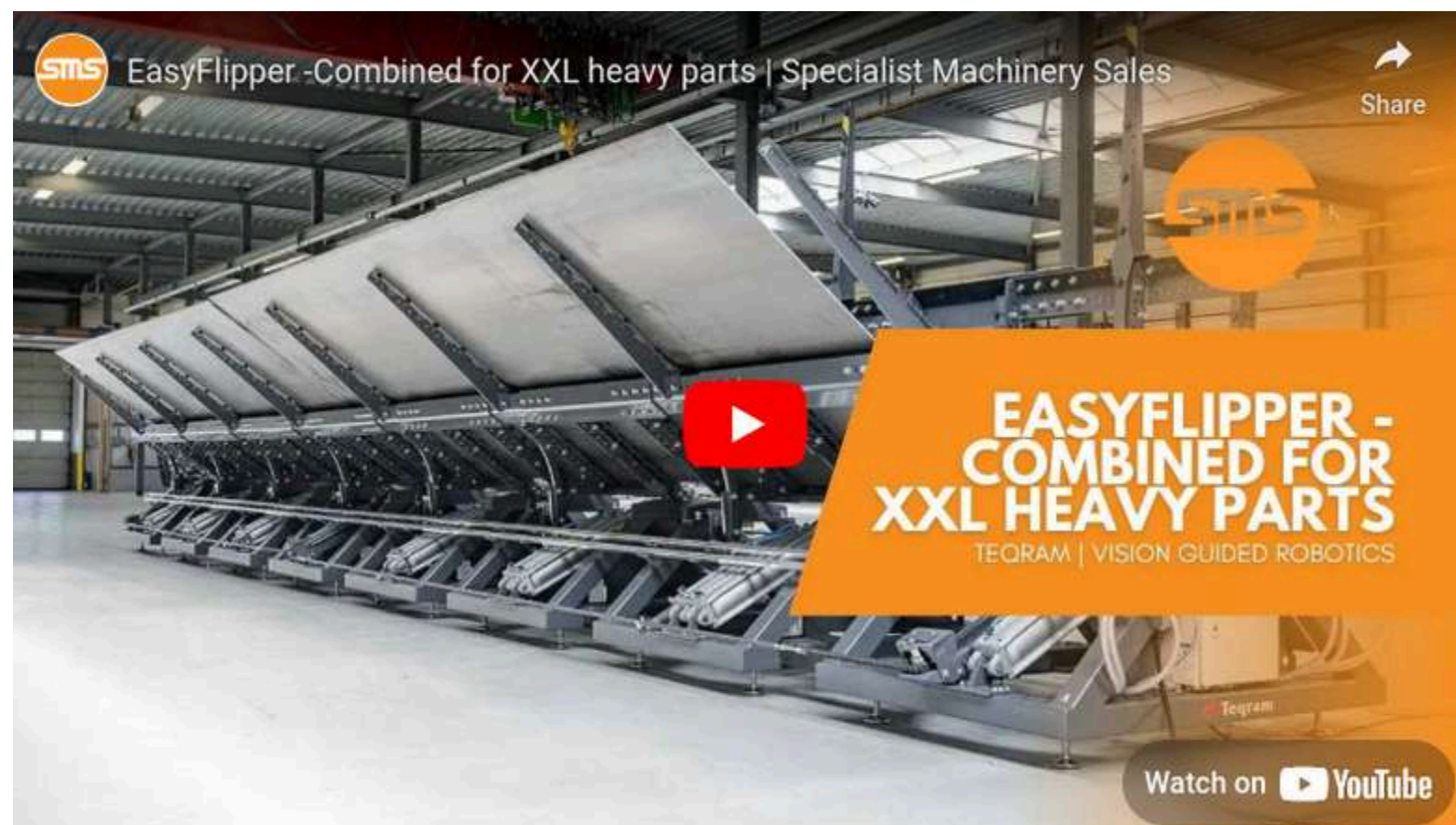
- Flipping time: 45-60 sec
- Max. payload: 9480 kg
- Table length: 7244 mm
- Table width: 1586 mm
- Max. part height: 200 mm
- Max. height with EPP: 300 mm
- Machine length: 7244 mm
- Machine width: 3374 mm
- Machine height: 875 mm
- Working height: 760 mm
- Weight: 2540 kg
- Voltage: 400 / 480 V AC
- Electric power: 4400 W



**EASYFLIPPER HYDRAULIC
DUO EASYFLIPPER +
L- & W-SUPPORT ARMS (EF-HDLW)**



HOW EASYFLIPPER WORKS



HOW EASYFLIPPER WORKS



HOW EASYFLIPPER WORKS



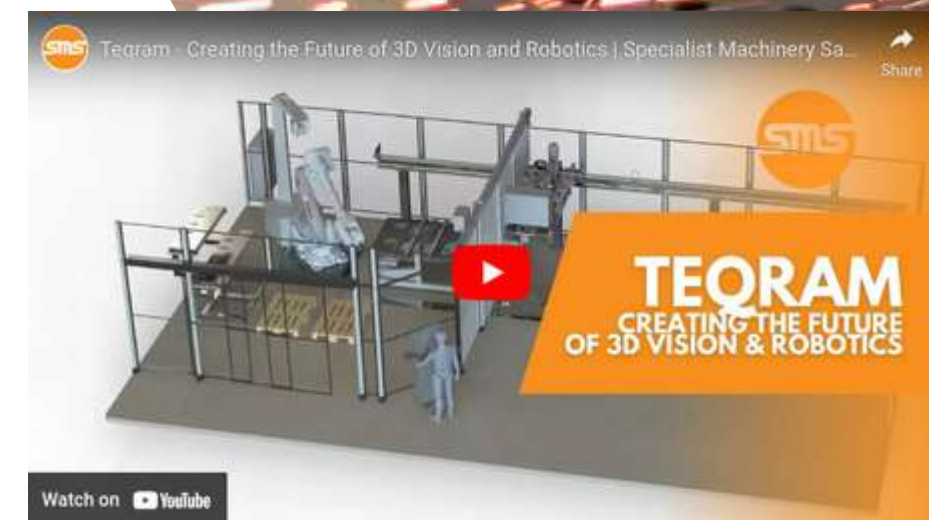
**SPECIALIST
MACHINERY
SALES** AUSTRALIA, NEW ZEALAND & SE ASIA

WHY CHOOSE TEQRAM?

Teqram is revolutionising the world of industrial automation by delivering intelligent robotic systems that seamlessly blend innovation, efficiency, and ease of use. With a mission to make automation accessible to all, Teqram designs cutting-edge systems that eliminate the complex programming tasks traditionally associated with robotics. Their solutions enable businesses to enhance productivity, optimise workflows, and reduce operational costs without the need for specialised programming skills.

Teqram's focus on automation and improved working conditions sets them apart. Their advanced systems utilise 3D vision sensors and intelligent AI-driven controllers to eliminate the complexities of traditional robot programming. This innovation enables businesses to produce small series or even single parts in a cost-effective manner, all without human intervention. Skilled technicians can focus on optimising process parameters while the autonomous robot handles heavy lifting and parts processing, streamlining operations and increasing efficiency.

By choosing Teqram, you gain a partner committed to your success. With a team of experienced engineers and a strong commitment to innovation, Teqram guarantees reliable systems that improve accuracy, enhance safety, and deliver a measurable return on investment. Their systems empower businesses to stay competitive in an increasingly automated world, making Teqram the ideal choice for forward-thinking organisations ready to embrace the future.





LOOKING TO BUY PRE-LOVED MACHINERY?

Specialist Machinery Sales offer second-hand or used structural steel processing machinery from Kaltenbach, Gietart, Haeusler, SLF and more.

Generally, the machines that SMS has access to are from trading for new machines offered from the machine tool builders to clients of SMS in Australia and New Zealand. Most machines are between 5 and 15 years of age with full-service history available. Some machines can be inspected under power or in their shipping packing ready for immediate delivery to Australasia.



[LEARN MORE HERE ▶](#)





READY TO SELL YOUR PRE-LOVED MACHINERY?

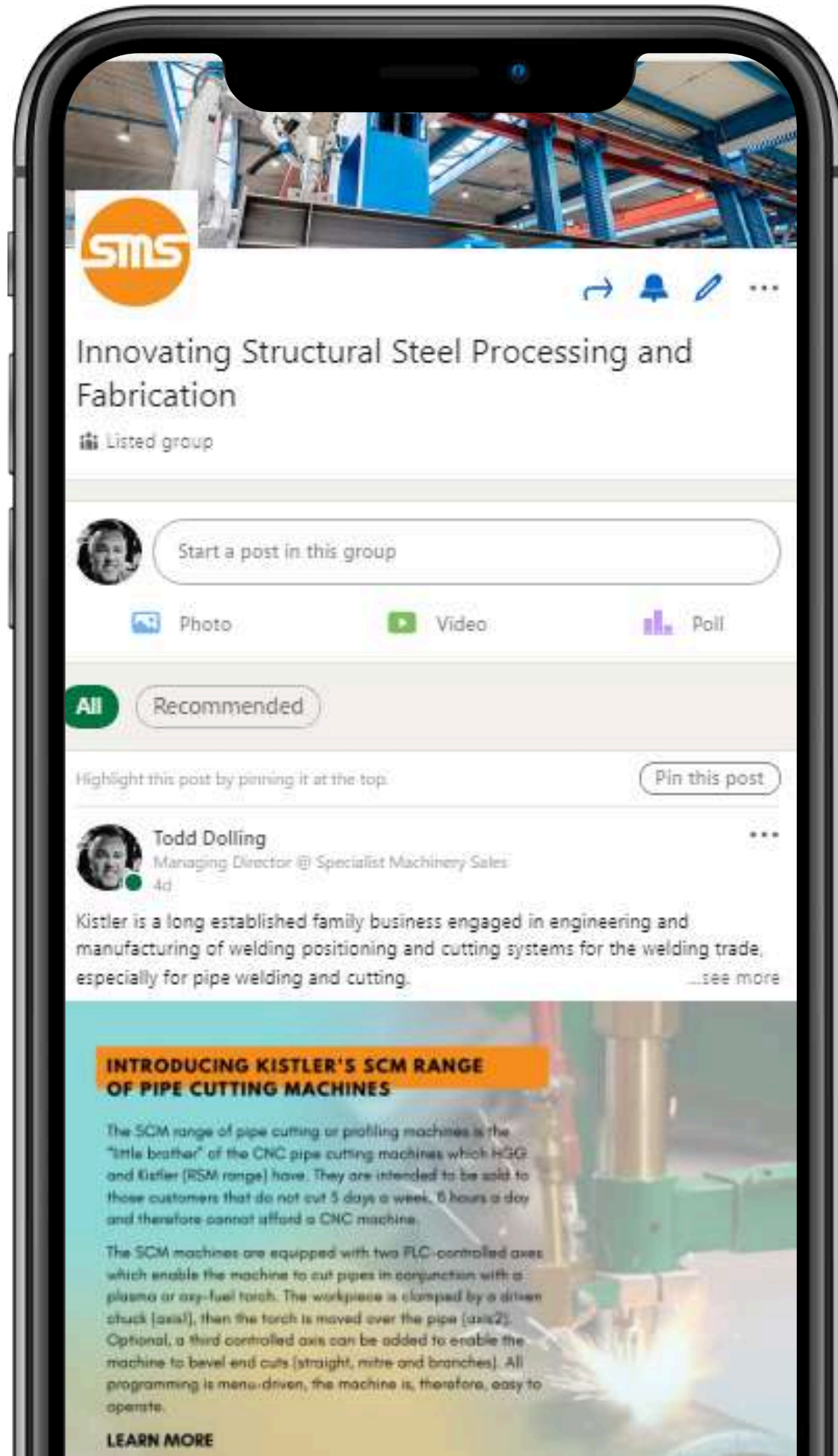
Selling your pre-loved machinery may appear to be a simple process but it might be more complicated than you think. Selling pre-loved machinery involves equipment liens, resale certificates and financing a buyer. BUT DO NOT WORRY!

Used Structural Machinery (USM) is here to partner with you. At USM, we are your ideal channel to take your equipment and place it in the right hands, with the security and confidence that characterises us. Review our checklist below to help you understand when to retire your machine and how USM can help you sell it off efficiently and effectively.



[LEARN MORE HERE ▶](#)





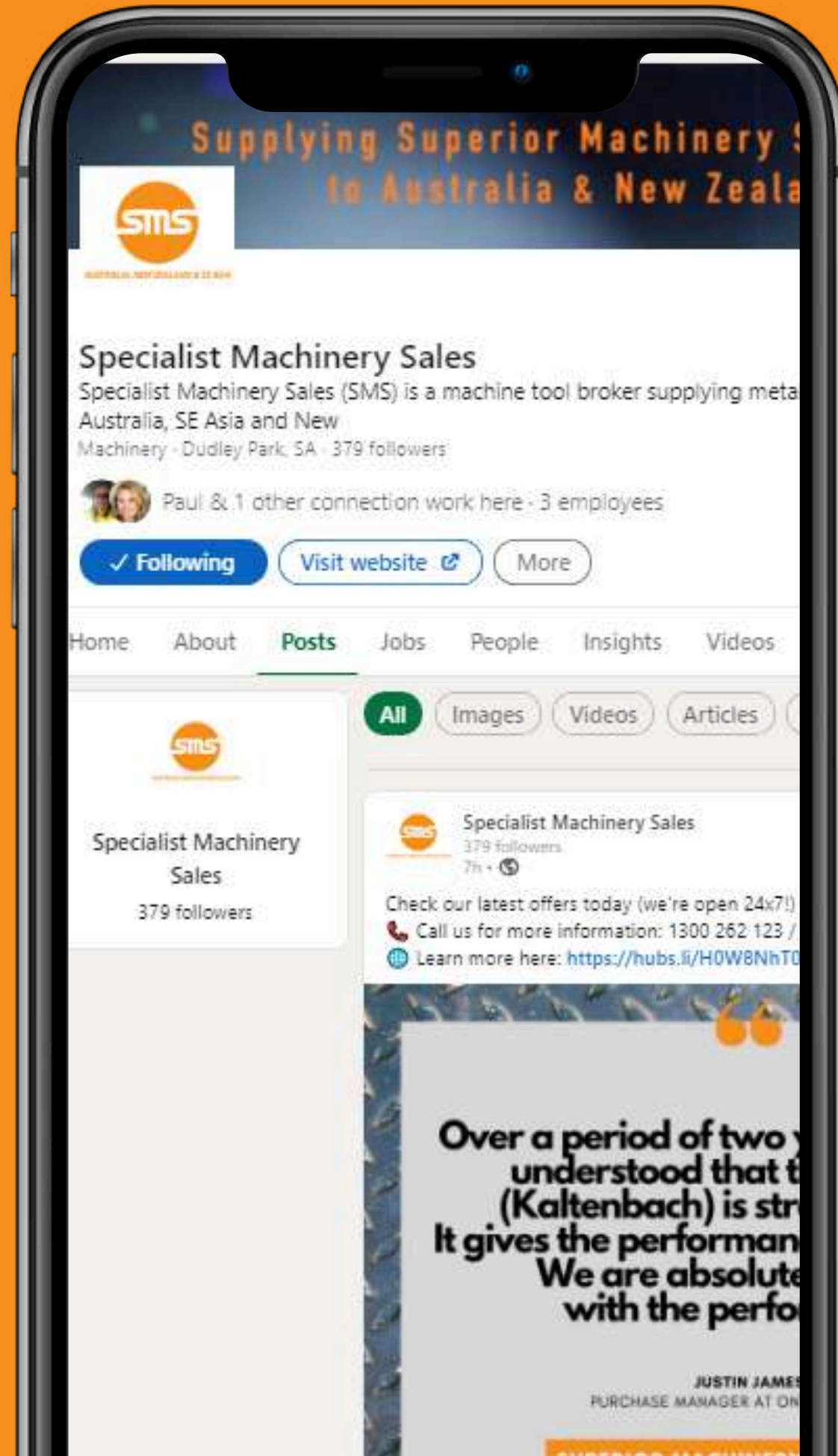
JOIN OUR EXCLUSIVE AND GROWING LINKEDIN GROUP

Join our growing and exclusive LinkedIn Group - [Innovating Structural Steel Processing and Fabrication Group](#).

In this group, we bring in thought leadership content, topics, trends and challenges within the steel industry and steel processing automation. We encourage everyone to share your business challenges and solutions that you have encountered and how steel processing automation had helped achieved your business objectives.

JOIN HERE ►





HATE MISSING OUT?

Be the first to receive the latest promotions, new releases and discounted offers by following us on social:





**SPECIALIST
MACHINERY
SALES**

AUSTRALIA, NEW ZEALAND & SE ASIA



1300 262 123 / +61 8 6500 6880



**tellmemore@smsales.com.au
www.SMSales.com.au**

