



Flagship Balances from OHAUS

When laboratory work and research requires accuracy to the hundred-thousandth, there is simply no room for error. The Explorer series of semi-micro balances has been designed with the technology to ensure that your very specific weighing results are accurate. Sophisticated laboratories requiring accuracy and looking for innovative technology to obtain measurement results can find both in Explorer semi-micro balances.

Unique Features Include:

- Explorer's weighing cells precision-machined from a solid metal block, together with AutoCal™ provides exceptional accuracy and durability suitable for laboratory and industrial environments.
- Features such as four-level user management with password protection, and un-editable system log plus a high level of configurability make Explorer balances well suited for regulated applications.
- A detachable terminal with a large color touchscreen, programmable IR sensors, optional built-in Ionizer & automatic doors, and a frameless draftshield make Explorer balances easy & convenient to use.

EXPLORER® *Semi-Micro Balances*

Intelligent Performance for Applications Requiring Extreme Accuracy

Explorer semi-micro balances offer capacities ranging from 52 g–220g with a readability of 0.01 mg. Superior craftsmanship, a High Speed Single Module weighing cell and a variety of advanced features make Explorer balances well suited for even the most complex weighing tasks.

Weighing Performance

OHAUS' signature AutoCal™ internal calibration system ensures the balance is always ready for use and eliminates the need for manual routine calibration. Explorer's internal calibration mechanism uses multiple weights and adjusts the balance at several points within the weighing range; this results in lower measurement uncertainty than a simple span calibration. Additionally, Explorer balances feature a built-in Repeatability Test, which helps evaluate the balance's performance and aids in determining a suitable minimum weight for applications requiring high accuracy.

Connectivity

Explorer balances include a series of communication interfaces including RS-232, USB, and Ethernet, allowing accessories such as RFID readers, impact printers, label printers and barcode scanners to be connected to the balance. A simple yet complete communication protocol allows Explorer balances to be easily connected to a PC or integrated with larger systems.

Data Management

Explorer balances are equipped with internal databases, which can be used to store, manage, and retrieve application and system data. An internal weighing mode library allows saving and loading of weighing mode configurations. Explorer balances offer two types of log files. One is the system log file which records up to 5000 changes to the balance's settings, calibrations and adjustments, and user access. The other is the calibration log which tells you when last calibrated the balance. Both log files can be exported as a non-editable PDF file and saved onto a USB memory stick. A built-in real time clock ensures that the data captured is contemporaneous.

User Management

The user management system allows a system administrator to create up to 110 users and assign them to 1 of 4 pre-existing groups with varying access rights to the balance and enforce password protection ensuring data integrity in a multi-user environment.



User Profiles		
User Name	Group	Password
1 Admin	Administrator	
2 Jeremy	Supervisor	*****
3 Jorony	Operator	*****
4 Adam	Log Viewer	*****

New Edit Return to Application

Ingenious Construction Designed to Enhance Usability

The sleek Explorer semi-micro balance has been designed and constructed to provide a modern weighing experience as well as to bolster accuracy.

Operator Experience

Among the features that enhance the operator experience are:

- Color touchscreen display
- Four programmable touchless sensors allow the operator to perform common functions and commands with a swipe of the hand
- Modular design in which the base and display can be separated to allow the balance to fit ideally on the lab bench.
- Antistatic coated glass helps dissipate static charges in the weighing chamber which could adversely affect the weighing results

Auto-Doors

The automatic door feature, available on certain models, allows access to the weighing chamber without the need to touch the draftshield door. Placement of samples is achieved in one swift motion, eliminating the repetition of picking up and putting down samples due to a lack of free hands.

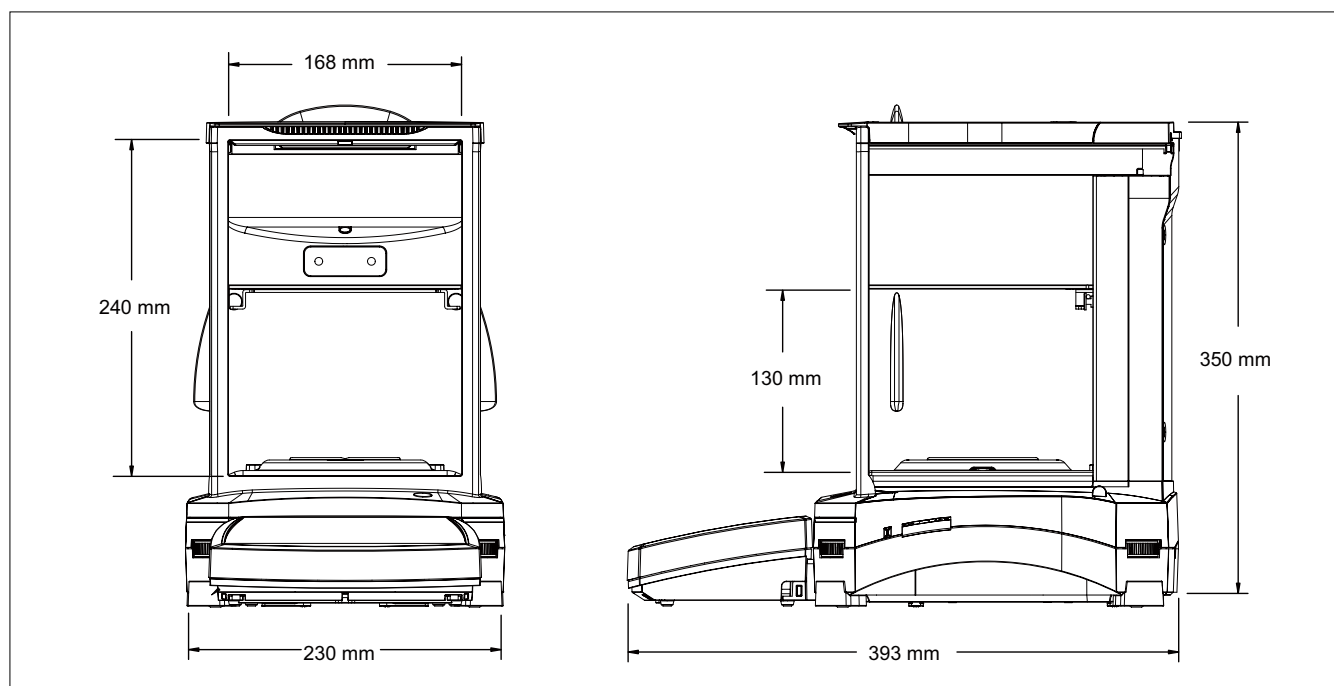
The automatic doors are also more than a user-friendly feature; they minimize vibrations caused by manual operation that can affect weighing results.

Ionizer

The built-in ionizer, included in Explorer automatic door models, generates bipolar ions continuously from positive and negative discharge electrodes and directs the ionized air onto the charged body to eliminate static electricity. These charges can build up in the weighing chamber and alter weighing results by as much as several milligrams.



Outline Dimensions



EXPLORER® Semi-Micro Balances

MODEL	EX125D*	EX125	EX225D*	EX225D/AD*	EX225/AD
Maximum Capacity (Fine range/Full range)	52 g / 120 g	120 g	120 g/220 g		220 g
Readability, Fine Range	0.01 mg				
Readability, Full Range	0.1 mg	0.01 mg	0.1 mg		0.01 mg
Repeatability (sd.), ≤5% of Full Load	0.01 mg				
Repeatability (sd.), 5% of Full Load to Fine Range Max	0.02 mg				0.03 mg
Repeatability (sd.), Fine Range Max to Full Range	0.1 mg	0.02 mg	0.1 mg		0.03 mg
Linearity Deviation, Typical	±0.06 mg				
Linearity Deviation	±0.1 mg				
Stabilization time, Fine Range	8 s				
Stabilization time, Full Range	2 s	8 s	2 s		8 s
Min-Weight (Typical) (USP, K=2, U=1%)	2mg				
Min-Weight (Typical) (USP, K=2, U=0.10%)	20mg				
Min-Weight (Optimal) (USP, K=2, U=0.10%, SRP≤0.41d)**	8.2 mg				
AutoCal™	Standard Automatic Calibration System				
– Temperature Differ	1.5 °C				
– Time interval	3 h				
Sensitivity Temp. Drift	0.5 ppm / °C				
Automatic Draftshield	N/A			Standard	
Built-in Ionizer	N/A			Standard	

* D stands for dual range, i.e. the capacity of fine range is 52g and the maximum capacity is 120g.

** According to USP41, repeatability is satisfactory if two times the standard deviation of the weighted value divided by the minimum weight does not exceed 0.10%. The standard deviation obtained is less than 0.41d, where d is the scale interval, replace this standard deviation with 0.41d. In this case, the repeatability is satisfactory if $2 \times 0.41d$ divide by minimum weight is less than 0.10%.

Approvals

- **Metrology:** OIML R76, EN 45501 (Class I, nmax 220000)
- **Product Safety:** EN 61010-1, IEC 61010-1
- **Electromagnetic Compatibility:** IEC 61326-1, EN61326-1 (Class B emissions, Industrial immunity)

Accessories

ION-100A - Ionizer	30130303
Density Kit for Solids	80253384
Sinker Glass for Density Determination.....	83034024
Full-featured Impact Printer SF40A	30045641
SF40A Paper roll (57,5mm 2pcs)	12120799
SF40A Ink ribbon cassette	12120798
RS232 cable, PC 9 Pin.	00410024
USB cable (type A to B)	83021085
Ethernet interface.	83021082
Terminal extension cable (2 m)	83021083
Secondary display PAD7.....	80251396
Security device (Cable & lock)	80850000
Security device (Laptop lock)	80850043
Terminal in-use cover	83033633
Dust cover	30093334
Grid Pan for Air Filter Weighing	30369673

OHAUS Asia/Pacific Headquarters
7F, Block 33, 680 Guiping Road
Shanghai 200233
China

e-mail: APmarketing@ohaus.com
Tel: +86 21 64855408

With offices throughout Europe, Asia, and Latin America

* ISO 9001:2008
Registered Quality Management System

SAP Literature: 30323843

