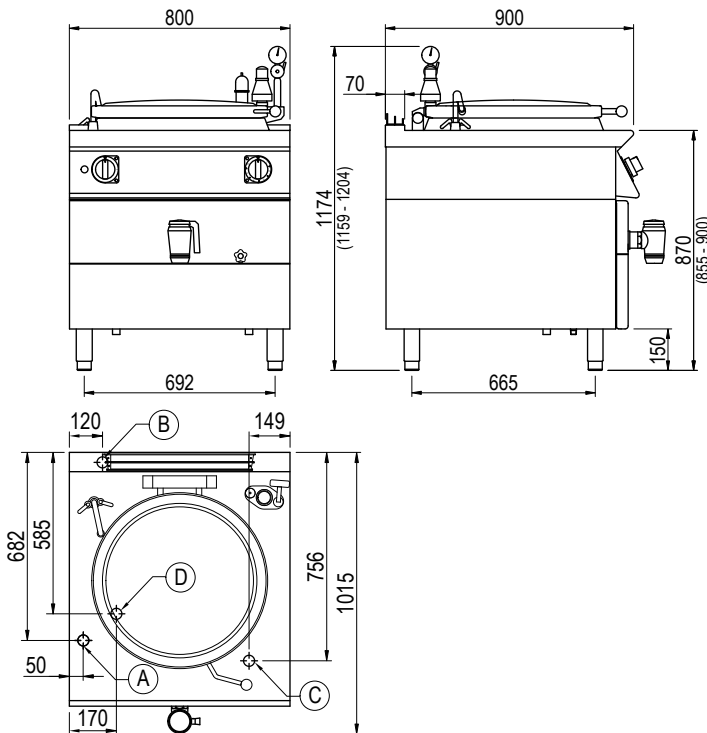




**Product Information:**

- Class leading, European style, professional quality and reliability since 1963
- 900 series, indirect heating electric boiling pan with 100 litre capacity (22.7kW)
- Steam jacketed kettle for even indirect heat over the entire cooking surface. Limit burning.
- Heating elements positioned inside the jacket gap with Hi-limit temperature protection
- Temperature regulation via 6 position selector
- Indicator lights to monitor the correct operation of the appliance
- Automatic fill jacket with pressure control via pressure gauge, safety valve and condensation valve
- Hot and cold water fill via integrated valve and spout
- Double skinned counterbalanced lid
- Pan emptied through front positioned tap with insulated grip
- 316 grade stainless steel pan base for superior corrosion resistance
- Robust 304 grade stainless steel construction with rounded corners for improved cleaning
- Height adjustable stainless steel feet for a 900mm working height
- All boiling pans are supplied standard with Reverse Osmosis Filtration system
- 24-month warranty

**General Drawing:**



**Specifications:**

<b>Model</b>	PEI910T.RO
<b>W x D x H (mm)</b>	800 x 1015 x 1174
<b>Weight</b>	180kg
<b>Capacity</b>	100L
<b>Packed Dimensions (mm)</b>	845 x 1025 x 1200
<b>Packed Weight (mm)</b>	192kg
<b>Electrical Connection</b>	3Ø + N + E 415VAC / 50Hz / 22.7kW

**Legend:**

- A** Electrical Connection
- B** Cold Water Connection 1/2" BSP
- C** Filtered Water Connection 1/2" BSP
- D** Drain Connection Ø38mm

Due to continuous product research and development, the information contained herein is subject to change without notice.

Revision: 01 - 03/02/2022 - A

[www.stoddart.com.au](http://www.stoddart.com.au)

[www.stoddart.co.nz](http://www.stoddart.co.nz)

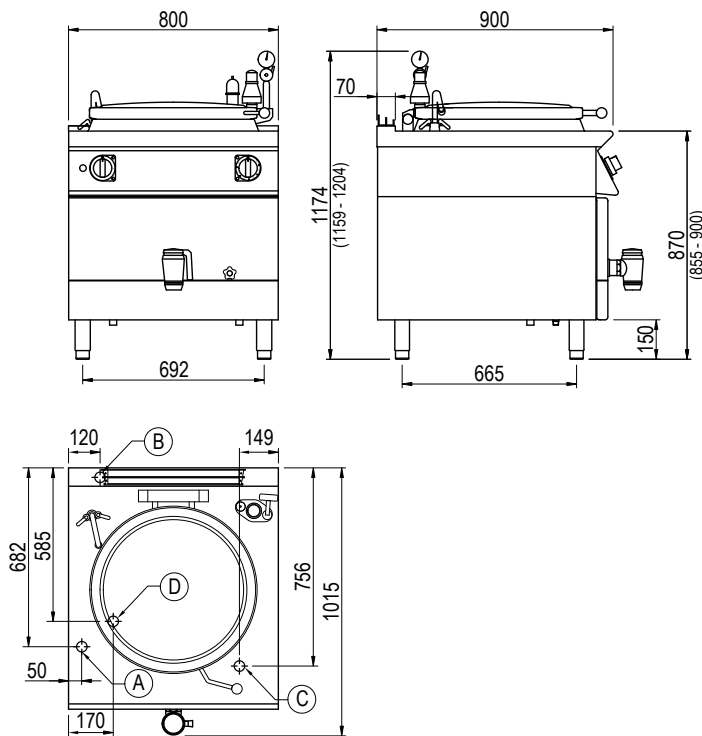




**Product Information:**

- Class leading, European style, professional quality and reliability since 1963
- 900 series, indirect heating electric boiling pan with 150 litre capacity (22.7kW)
- Steam jacketed kettle for even indirect heat over the entire cooking surface. Limit burning.
- Heating elements positioned inside the jacket gap with Hi-limit temperature protection
- Temperature regulation via 6 position selector
- Indicator lights to monitor the correct operation of the appliance
- Automatic fill jacket with pressure control via pressure gauge, safety valve and condensation valve
- Hot and cold water fill via integrated valve and spout
- Double skinned counterbalanced lid
- Pan emptied through front positioned tap with insulated grip
- 316 grade stainless steel pan base for superior corrosion resistance
- Robust 304 grade stainless steel construction with rounded corners for improved cleaning
- Height adjustable stainless steel feet for a 900mm working height
- All boiling pans are supplied standard with Reverse Osmosis Filtration system
- 24-month warranty

**General Drawing:**



**Specifications:**

<b>Model</b>	PEI915T.RO
<b>W x D x H (mm)</b>	800 x 1015 x 1174
<b>Weight</b>	200kg
<b>Capacity</b>	150L
<b>Packed Dimensions (mm)</b>	845 x 1025 x 1200
<b>Packed Weight (mm)</b>	212kg
<b>Electrical Connection</b>	3Ø + N + E 415VAC / 50Hz / 22.7kW

**Legend:**

- A** Electrical Connection
- B** Cold Water Connection 1/2" BSP
- C** Filtered Water Connection 1/2" BSP
- D** Drain Connection Ø38mm

Due to continuous product research and development, the information contained herein is subject to change without notice.

Revision: 01 - 03/02/2022 - A

[www.stoddart.com.au](http://www.stoddart.com.au)

[www.stoddart.co.nz](http://www.stoddart.co.nz)

