

Tacony CFC		Hydromist Compact Parts List	
Part Number:	HC250		
Series:	A		
Date:	14-Jul-20		
Reference Drawing Number:	HC250 250V 50Hz		
Reference Drawing Issue:	2		
Modified By:	J WYLES		
Service Parts List Issue:	17	ECN #	
Description of Change:	-	-	

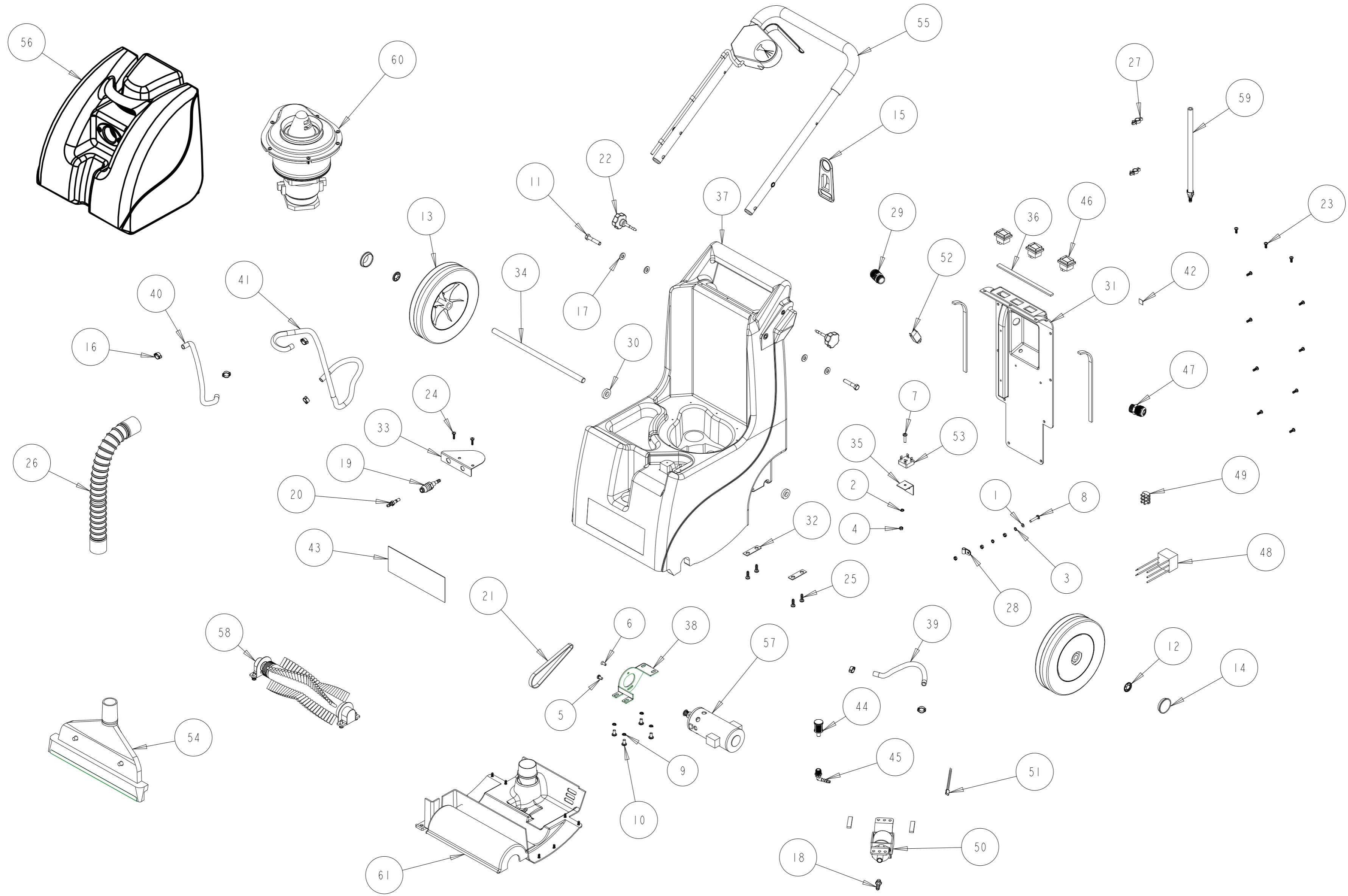
Ref. No.	Part No.	Part Description	Qty
1	00-0500-0501	M5 Washer Form A Z/P	1
2	00-0500-0511	M5 Single Coiled Spring Washer	2
3	00-0500-0521	M5 Internal Shakeproof	1
4	00-0500-0701	M5 Full Nut Z / P	4
5	00-0510-0011	M5X10Mm Pozi Pan Head Screw	1
6	00-0510-0031	M5X10 Countersunk Screw	1
7	00-0520-0011	M5X20 Pozi Pan Head Screw Zinc BZP	1
8	00-0525-0011	M5X25 Pozi Pan Head Screw Zinc BZP	1
9	00-0600-0513	M6 Single Coil Washer Stainless Steel	4
10	00-0612-0013	M6X12 Pozi Pan Head	4
11	00-0835-0125	M8x35 HT 8.8 Hex Bolt DIN931 Chemi-Blk	2
12	02-0254-0000	Starlock Washer	2
13	02-3121-0000	Wheel 8In	2
14	02-3124-0000	Wheel Cap - Black	2
15	02-3152-0000	Cable Strain Relief Bracket Black	1
16	02-3381-0500	Hose Clip	6
17	02-3417-0000	HC250 Handle Spacer	4
18	02-3443-0000	1/8In Male Barb Connector Taper & O Ring	1
19	02-3445-0000	HC250 Metal Bulkhead Coupling	1
20	02-3449-0000	Male Coupling Connector	1
21	02-3455-0000	HC250 Drive Belt	1
22	02-3460-0000	Handle Lock Knob	2
23	02-3465-0000	Roto Small Taper	11
24	02-3466-0000	WN1413KN50 x 16 Screw S/Tap	2
25	02-3467-0000	KB60 x 18 Pozi Pan PT Screw Z/P	4
26	02-3468-0000	HC250 Vac Pick Up Hose	1
27	02-3478-0000	Hose Clip	2
28	02-3708-0000	P Clip	1
29	02-4622-0000	Cable Gland	1
30	03-5736-0000	Wheel Axle Spacer	2
31	03-5987-0500	Hc250 Rear Electrical Panel (Printed)	1
32	03-5991-0000	Axle Retaining Plate	2
33	03-5992-0000	HC250 Fluid Coupling Bracket - Hc250	1
34	03-6000-0500	HC250 Axle	1
35	03-6001-0000	Rectifier Heat Sink	1

36	03-6009-0000	Gasket Strip	1
37	03-6013-0067	HC250 Solution Tank	1
38	03-6038-0000	HC250 Motor Mounting Bracket	1
39	03-6041-0000	Pump Feed Hose	1
40	03-6043-0000	Pump Outlet Hose	1
41	03-6044-0000	Sprayjet Hose	1
42	03-6185-0000	Earth Point Label	1
43	03-6668-0000	Hydromist Compact Label	1
44	03-8302-0000	Hc250 Solution Tank Filter	1
45	03-8323-0000	1/4" Bsp Metal Elbow	1
46	04-3207-0000	Rocker Switch with Cover	3
47	04-3212-0000	Cable Gland	1
48	04-3221-0000	HC250 Suppressor	1
49	04-3332-0000	Terminal Block	1
50	04-3393-0000	Pump with Mounts	1
51	04-3396-0000	Thermal Overload	1
52	04-3397-0000	0.7 Amp Cutout	1
53	04-3409-0000	25 Amp Bridge Rectifier	1
54	05-3417-0000	Pick Up Assembly	1
55	05-3419-0000	Handle Assy	1
56	05-3421-0035	Recovery Tank Assembly	1
57	05-3422-0000	Brush Motor Assembly	1
58	05-3423-0000	Brush Drive Assy	1
59	05-3427-0000	Drain Hose Assembly	1
60	05-3497-0000	HC250 Vac Motor Assembly	1
61	05-3728-0000	HC250 Bottom Cover Kit	1
Not Shown	04-3310-0000	Power Cord UK - 13 Amp with plug	1
Not Shown	05-3409-0000	HC250 Wiring Kit 230V	1
Not Shown	05-3408-0000	See Wk11 Cc250 W/Kit 115V Trirated S/Core & Csa/UI 5 Core	1

PART NO.
HC250

© COPYRIGHT DIMENSIONS IN MILLIMETRES DO NOT SCALE 3RD ANGLE PROJECTION

A2



				MATERIAL:		GEN TOL X ±0.5 X.X ±0.2 X.XX ±0.1 ANG ±0.5°		TRUVOX™ INTERNATIONAL LIMITED	
3	1210	Baffle Added	JW	19 FEB 18	FINISH:		SCALE: X : X		
2	1099	ASSEMBLIES RE-ORGANISED	NMN	12 JAN 15			DRN	CKD	PART NO.
1	N/A	NEW DRAWING	NMN	13 NOV 14			NMN		HC250 230V 50HZ - UK
ISSUE ECN CHANGES				INT DATE				HC250	

PART NO.
05-3417-0000

© COPYRIGHT

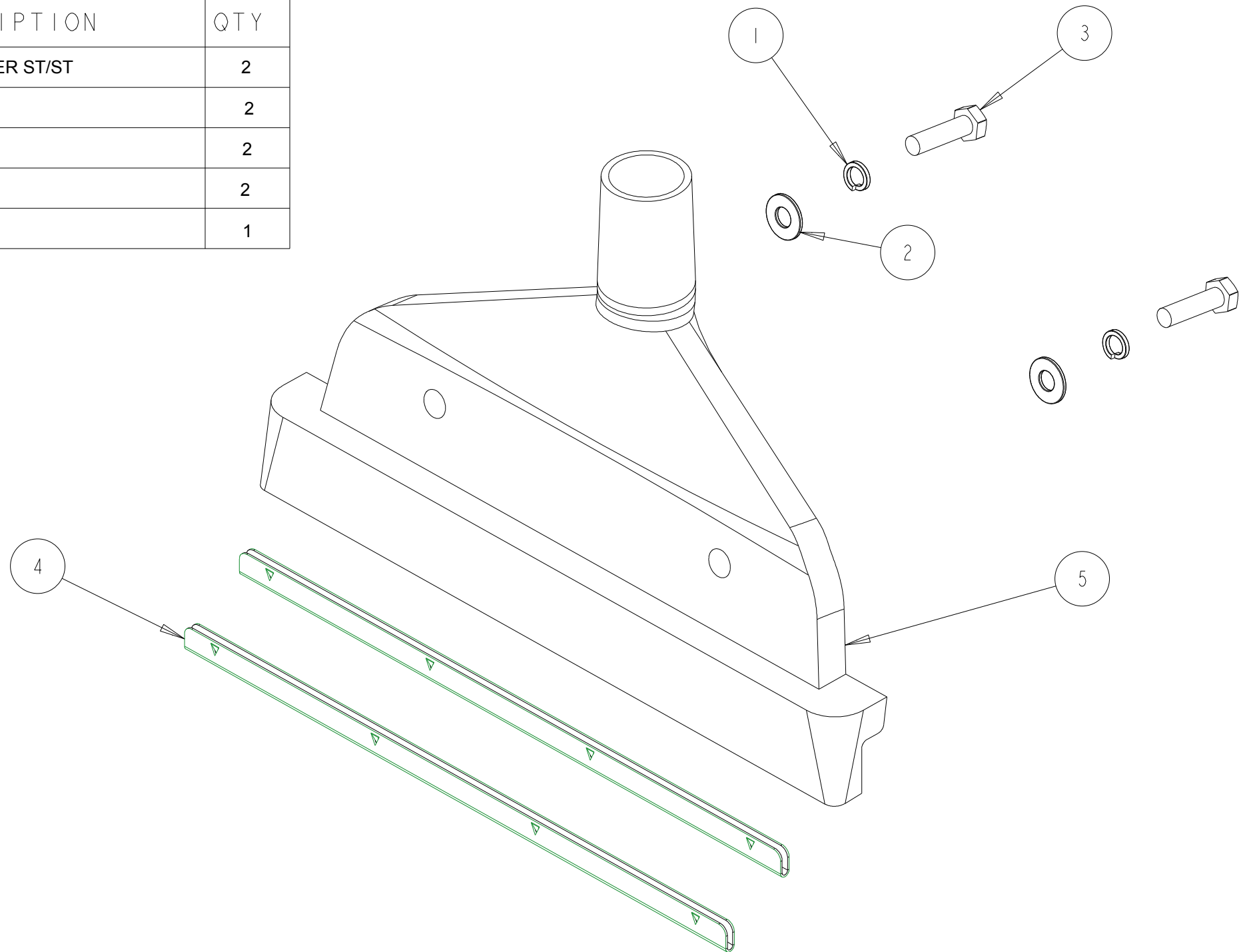
DIMENSIONS IN MILLIMETRES

DO NOT SCALE DRAWING

3RD ANGLE PROJECTION

A3

ITEM	PART No.	PART DESCRIPTION	QTY
1	00-0800-0513	M8 SINGLE COIL SPRING WASHER ST/ST	2
2	00-0800-0553	M8 WASHER ST/ STL	2
3	00-0830-0113	M8 X 30 HEX HD BOLT ST/ST	2
4	03-5998-0000	HC250 PICK UP STRIP	2
5	03-6015-0035	PICK UP SHOE	1



				MATERIAL:		GEN TOL X ±0.5 X.X ±0.2 X.XX ±0.1 ANG ±0.5°		TRUVOX TM INTERNATIONAL LIMITED	
				FINISH:		SCALE: X : X		TITLE:	
I	N/A	NEW DRAWING	NMN	13 NOV 14	DRN	CKD	PICK UP ASSEMBLY		PART NO.
ISSUE	ECN	CHANGES	INT	DATE	NMN				05-3417-0000

PART NO.
05-3419-0000

© COPYRIGHT

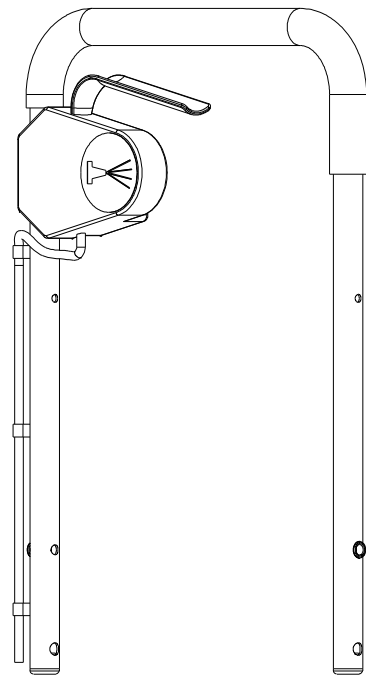
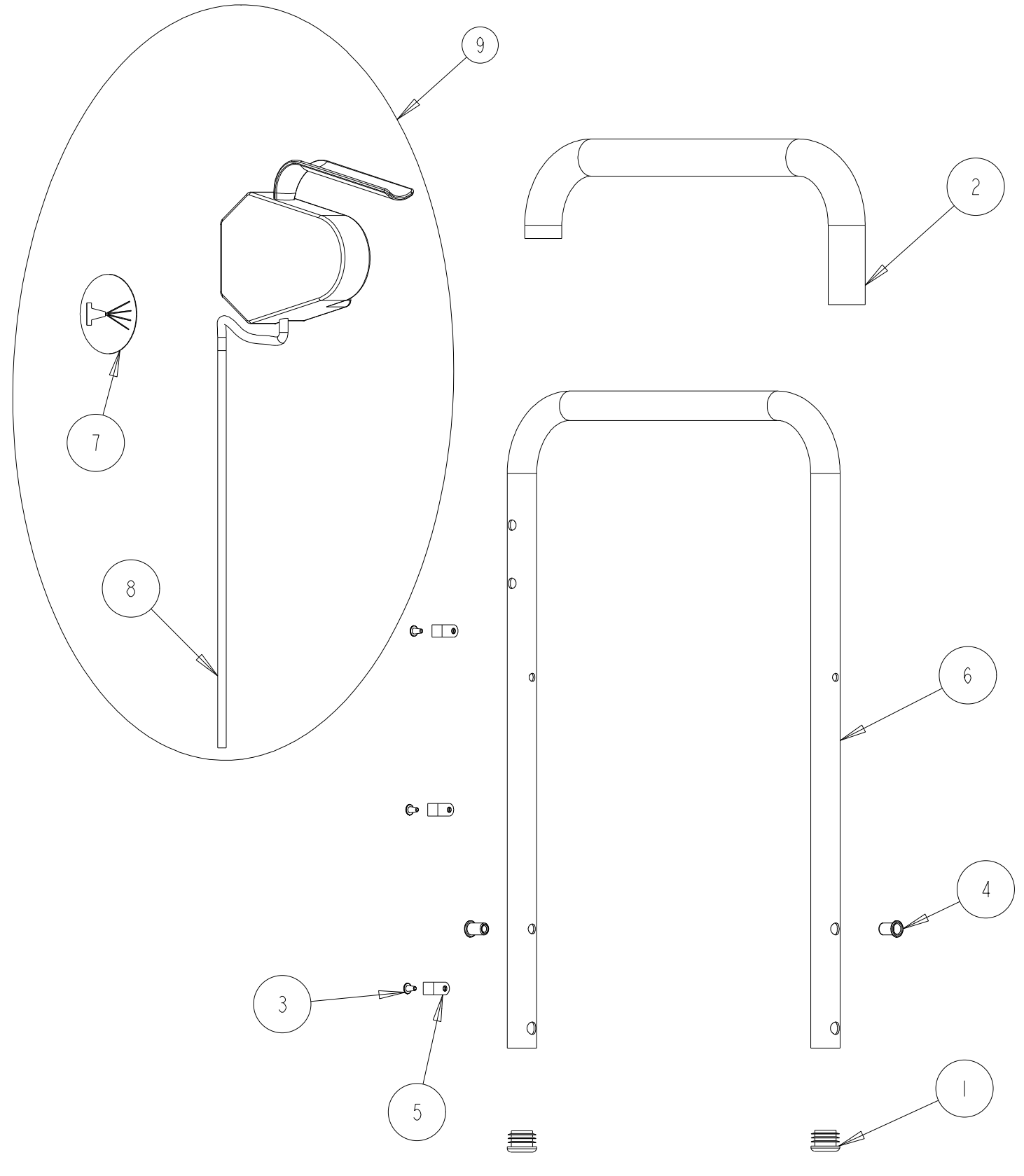
DIMENSIONS IN MILLIMETRES

DO NOT SCALE DRAWING

3RD ANGLE PROJECTION

A3

ITEM	PART No.	PART DESCRIPTION	QTY
1	02-3457-0000	TUBE END CAP	2
2	02-3459-0000	HC250 HANDLE GRIP	1
3	02-3464-0000	5/16 POZI SELF TAP CHEM BLACK	3
4	02-3484-0000	M6 SPLINED INSERT - LARGE FLANGE	2
5	02-4576-0000	6.3mm PIPECLIP - BLACK	3
6	03-5996-0000	HC250 HANDLE TUBE	1
7	03-6011-0000	HC250 SPRAYJET LABEL	1
8	04-3202-0000	HANDLE SWITCH	1
9	05-3420-0000	HANDLE SWITCH ASSEMBLY	1



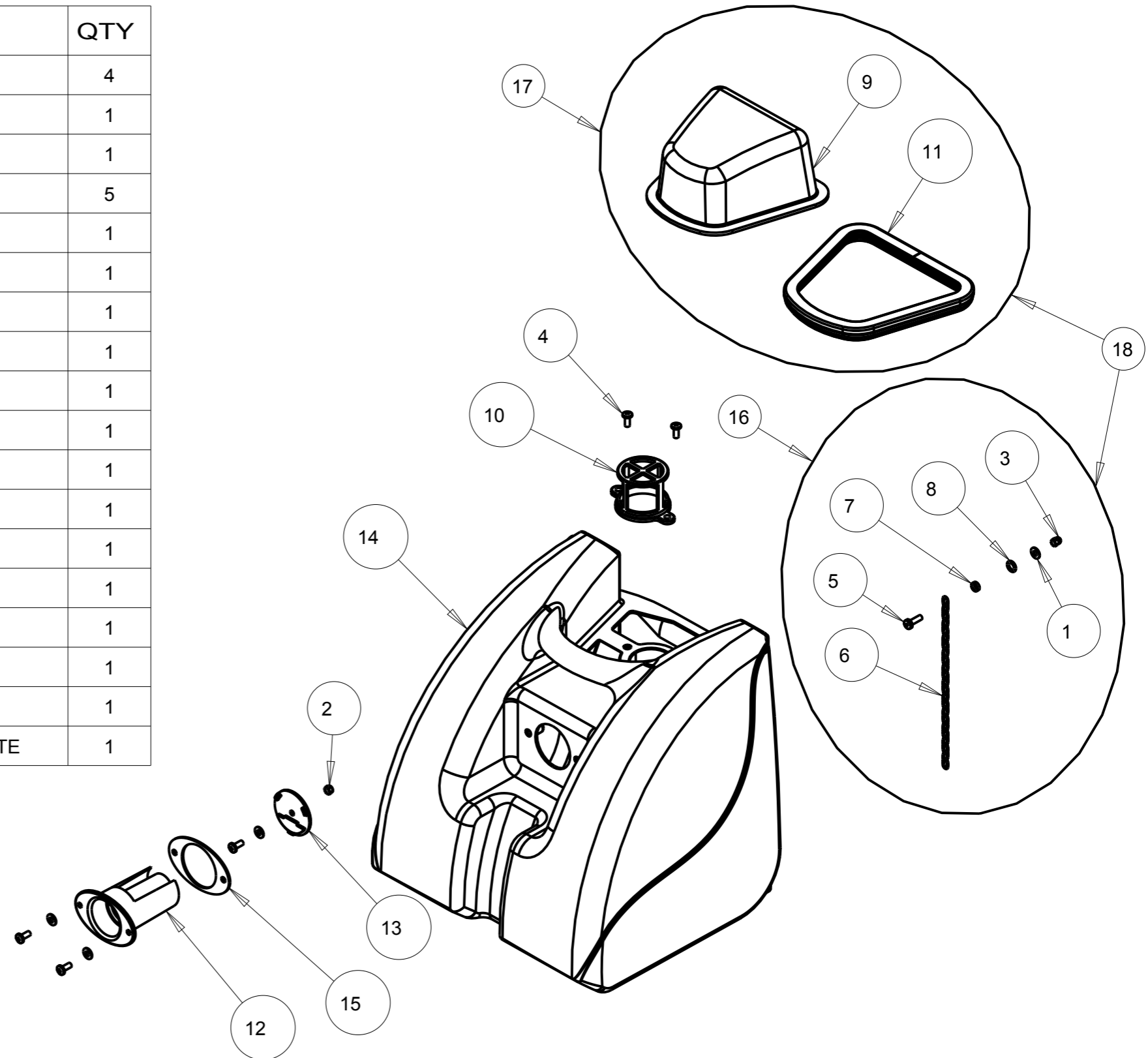
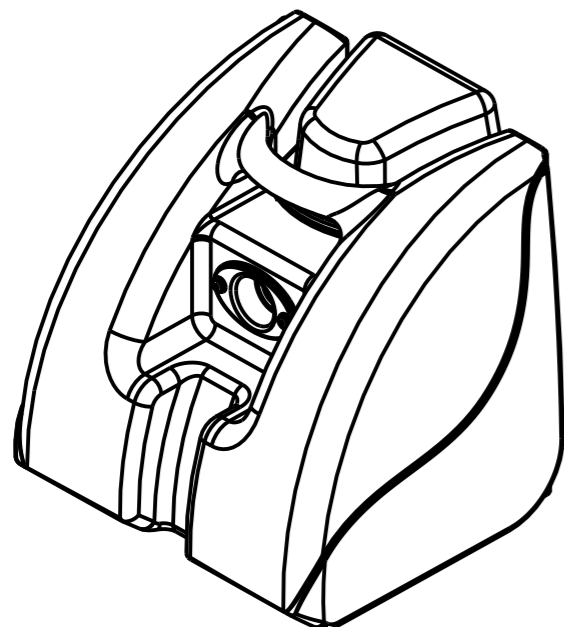
				MATERIAL:		GEN TOL X ±0.5 X.X ±0.2 X.XX ±0.1 ANG ±0.5°		TRUVOX™ INTERNATIONAL LIMITED	
				FINISH:		SCALE: X : X			
I	N/A	NEW DRAWING	NMN	13NOV 14	DRN	CKD	HANDLE ASSEMBLY		PART NO.
ISSUE	ECN	CHANGES	INT	DATE	NMN				05-3419-0000

PART NO.
05-3421-0035

©COPYRIGHT DIMENSIONS IN MILLIMETRES DO NOT SCALE DRAWING 3RD ANGLE PROJECTION

A3

ITEM	PART No.	PART DESCRIPTION	QTY
1	00-0500-0553	M5 HEAVY WASHER FORM A ST/ST	4
2	00-0500-0723	M5 NYLOC NUT ST/ST	1
3	00-0500-0763	M5 DOME NUT S/S	1
4	00-0512-0013	M5 X 12 POZI PAN HEAD SCREW ST ST	5
5	00-0516-0013	M5 x 16mm POZI PAN HD SCREW ST/ST	1
6	02-3525-0000_265	CHAIN 1.6 mm x 18mm STEEL - 265mm LONG	1
7	02-3527-0000	SPACER 9.5mm DIA x 3mm	1
8	02-3778-0000	O RING	1
9	03-5989-0000	VACUUM LID	1
10	03-8301-0000	HC250 RECOVERY TANK FILTER	1
11	03-8325-0000	HC250 VACUUM LID SEAL	1
12	03-8338-0000	HC250 AIR INLET BAFFLE	1
13	03-8339-0000	HC250 AIR INLET CAP	1
14	03-8342-0035	HC250 RECOVERY TANK - MALISH	1
15	03-8399-0000	HC250 AIR INLET GASKET	1
16	05-3519-0000	LID CHAIN ASSEMBLY	1
17	05-3717-0000	RECOVERY TANK LID ASSEMBLY	1
18	05-3793-0000	RECOVERY TANK LID ASSEMBLY - COMPLETE	1



ISSUE	ECN	CHANGES	INT	DATE
3	1210	NEW RECOVERY TANK	JW	19 FEB 18
2	1093	NEW RECOVERY TANK	NMN	04 MAR 15
1	N/A	NEW DRAWING	NMN	13 NOV 14

MATERIAL:
FINISH:
GEN TOL
X ± 0.5
X.X ± 0.2
X.XX ± 0.1
ANG ± 0.5 °
SCALE: X : X
DRN CKD
NMN

TM
TRUVOX INTERNATIONAL LIMITED
TITLE: RECOVERY TANK ASSEMBLY
PART NO. 05-3421-0035

PART NO.
05-3422-0000

© COPYRIGHT

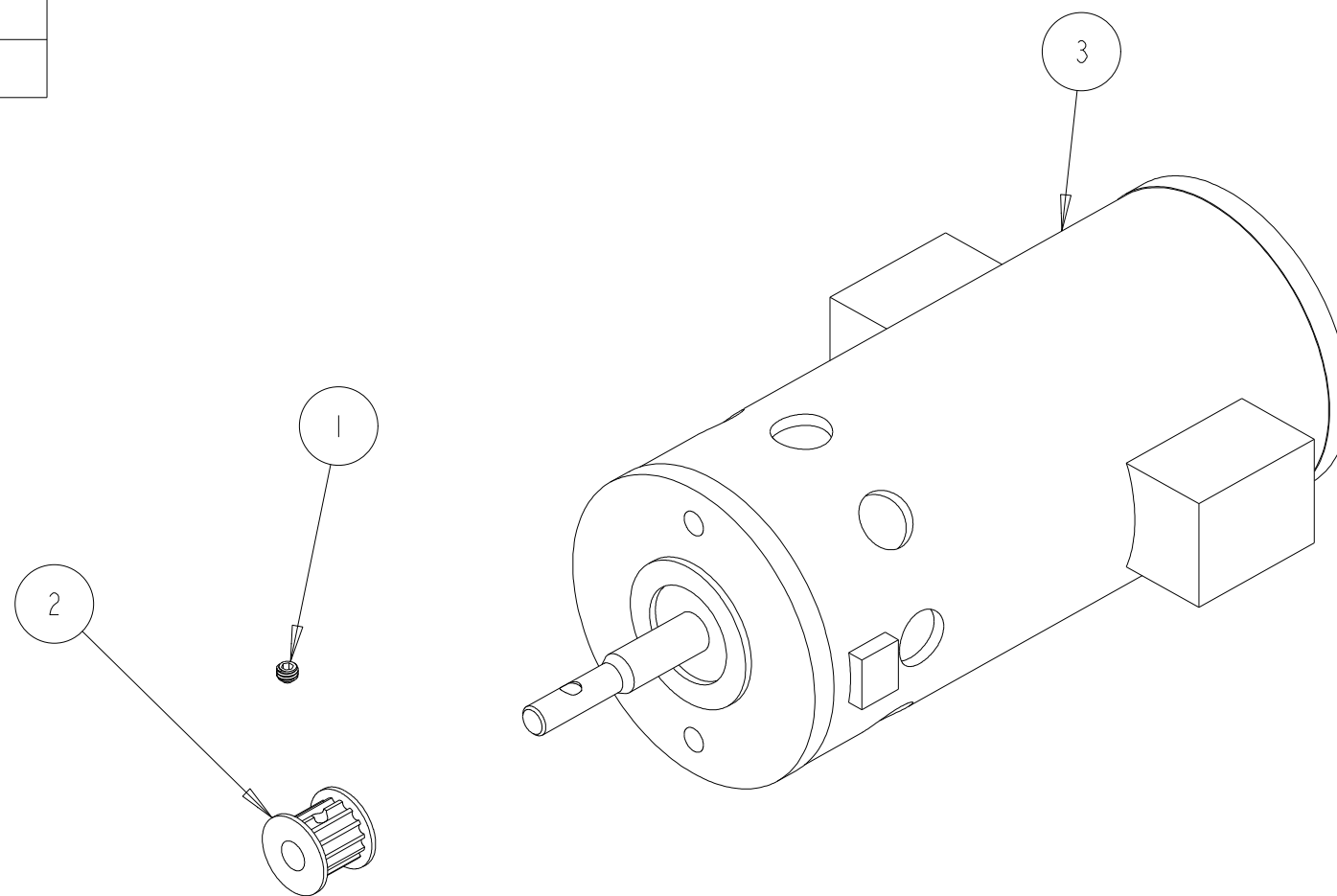
DIMENSIONS IN MILLIMETRES

DO NOT SCALE DRAWING

3RD ANGLE PROJECTION

A3

ITEM	PART No.	PART DESCRIPTION	QTY
1	00-0403-0091	GRUB SCREW M4 X 3 ST/ST	1
2	02-3454-0000	HC250 MOTOR PULLEY	1
3	04-3203-0500	BRUSH MOTOR	1



					MATERIAL:	GEN TOL X ±0.5 X.X ±0.2 X.XX ±0.1 ANG ±0.5°	TRUVOX™ INTERNATIONAL LIMITED		
2	N/A	UPDATE P/N FOR BRUSH MOTOR	NPD	06 JUNE 16	FINISH:	SCALE: X : X	TITLE:	PART NO.	
1	N/A	NEW DRAWING	NMN	05 JAN 15		DRN	CKD	BRUSH MOTOR ASSEMBLY	05-3422-0000
ISSUE	ECN	CHANGES	INT	DATE		NMN			

PART NO.
05-3423-0000

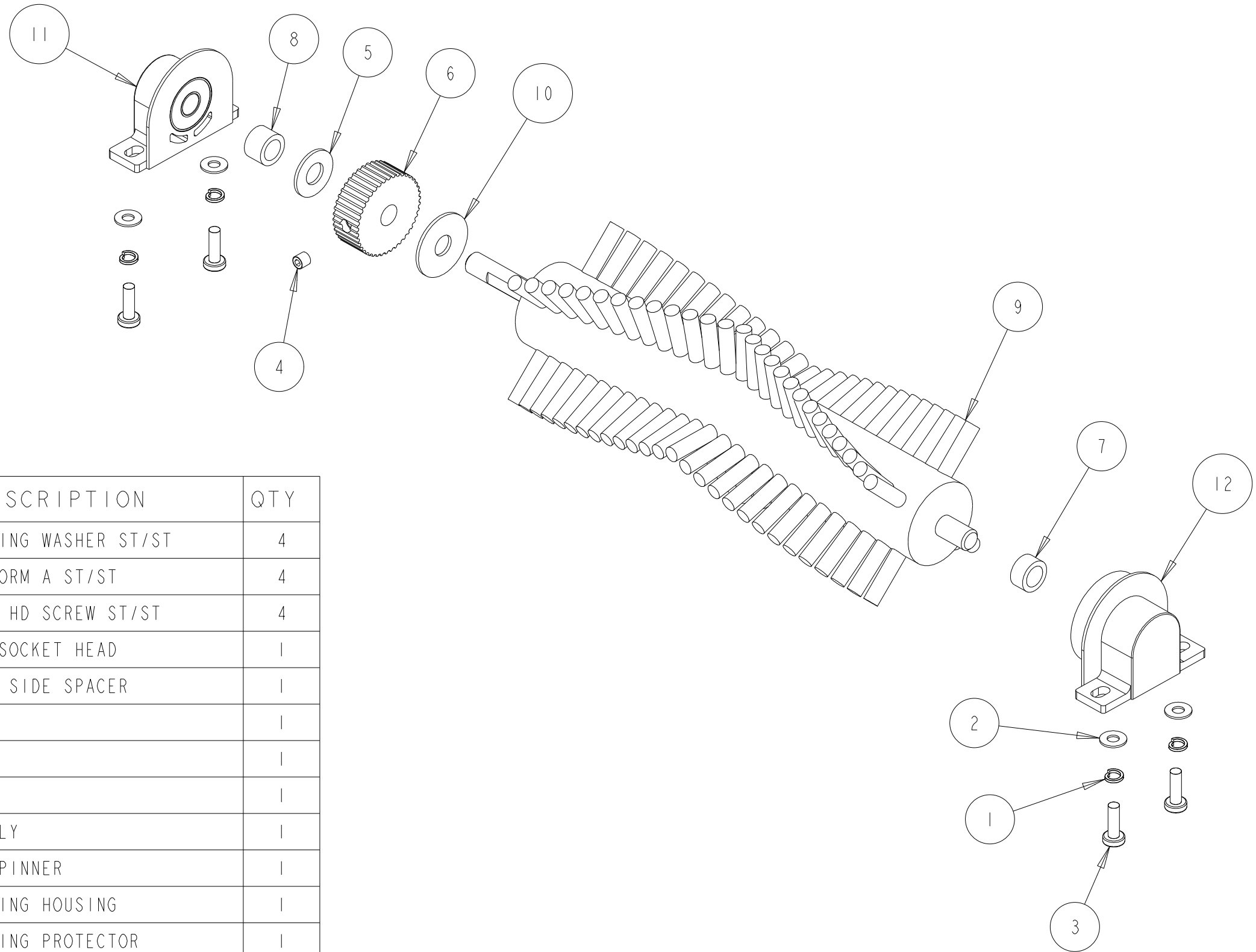
© COPYRIGHT

DIMENSIONS IN MILLIMETRES

DO NOT SCALE DRAWING

3RD ANGLE PROJECTION

A3



ITEM	PART No.	PART DESCRIPTION	QTY
1	00-0500-0513	M5 SINGLE COIL SPRING WASHER ST/ST	4
2	00-0500-0553	M5 HEAVY WASHER FORM A ST/ST	4
3	00-0516-0013	M5 x 16mm POZI PAN HD SCREW ST/ST	4
4	00-0606-0171	GRUB SCREW M6 X 6 SOCKET HEAD	1
5	02-3433-0000	ADJUSTER ARM WHEEL SIDE SPACER	1
6	02-3453-0000	HC250 BRUSH PULLEY	1
7	02-3469-0000	NYLON SPACER	1
8	02-3495-0000	PULLEY END SPACER	1
9	03-5995-0000	HC250 BRUSH ASSEMBLY	1
10	03-6654-0000	HC250 BRUSH AXLE SPINNER	1
11	03-8298-0000	HC250 MOULDED BEARING HOUSING	1
12	03-8299-0000	HC250 MOULDED BEARING PROTECTOR	1

				MATERIAL:		GEN TOL X ±0.5 X.X ±0.2 X.XX ±0.1 ANG ±0.5°		TRUVOX™ INTERNATIONAL LIMITED		
				FINISH:		SCALE: X : X				TITLE:
I	N/A	NEW DRAWING	NMN	13	NOV	14	DRN	CKD	PART NO.	
ISSUE	ECN	CHANGES	INT	DATE		NMN		BRUSH DRIVE ASSEMBLY		05-3423-0000

PART NO.
05-3427-0000

© COPYRIGHT

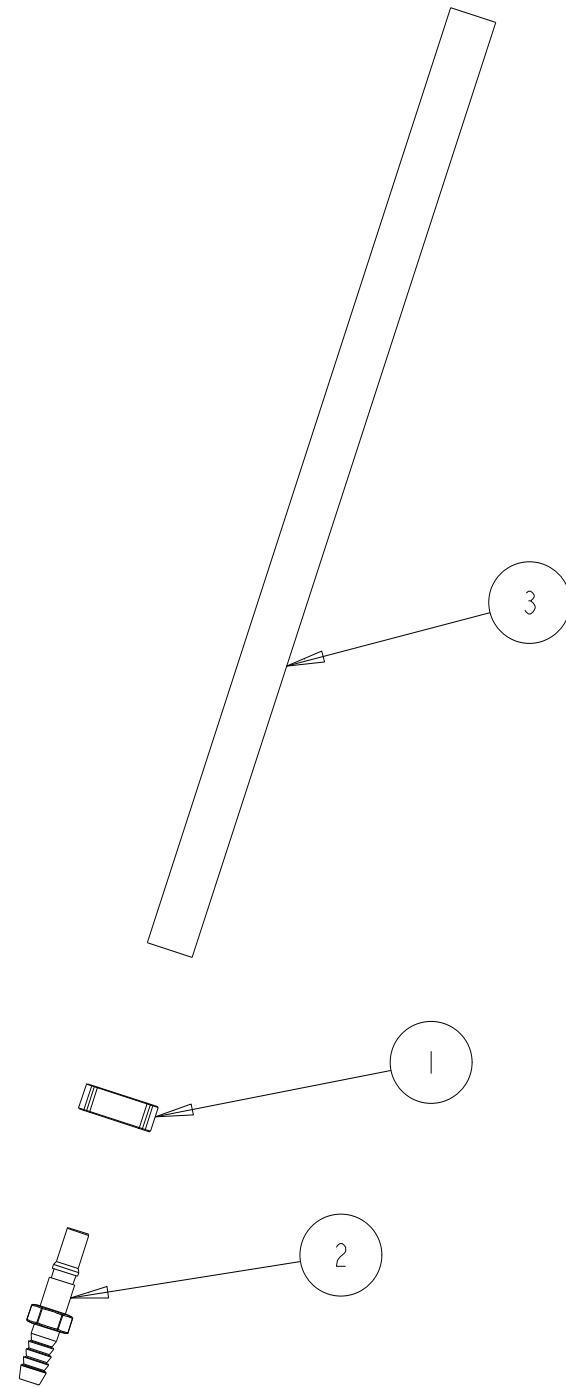
DIMENSIONS IN MILLIMETRES

DO NOT SCALE DRAWING

3RD ANGLE PROJECTION

A3

ITEM	PART No.	PART DESCRIPTION	QTY
1	02-3381-0000	HOSE CLIP	1
2	02-3449-0000	MALE COUPLING CONNECTOR	1
3	03-6423-1000_260	DRAIN HOSE - 260mm	1



				MATERIAL:		GEN TOL X ±0.5 X.X ±0.2 X.XX ±0.1 ANG ±0.5°		TRUVOX™ INTERNATIONAL LIMITED		
				FINISH:		SCALE: X : X				TITLE:
I	N/A	NEW DRAWING	NMN	13	NOV	14	DRN	CKD	PART NO.	
ISSUE	ECN	CHANGES	INT	DATE		NMN		DRAIN HOSE ASSEMBLY		05-3427-0000

PART NO.
05-3497-0000

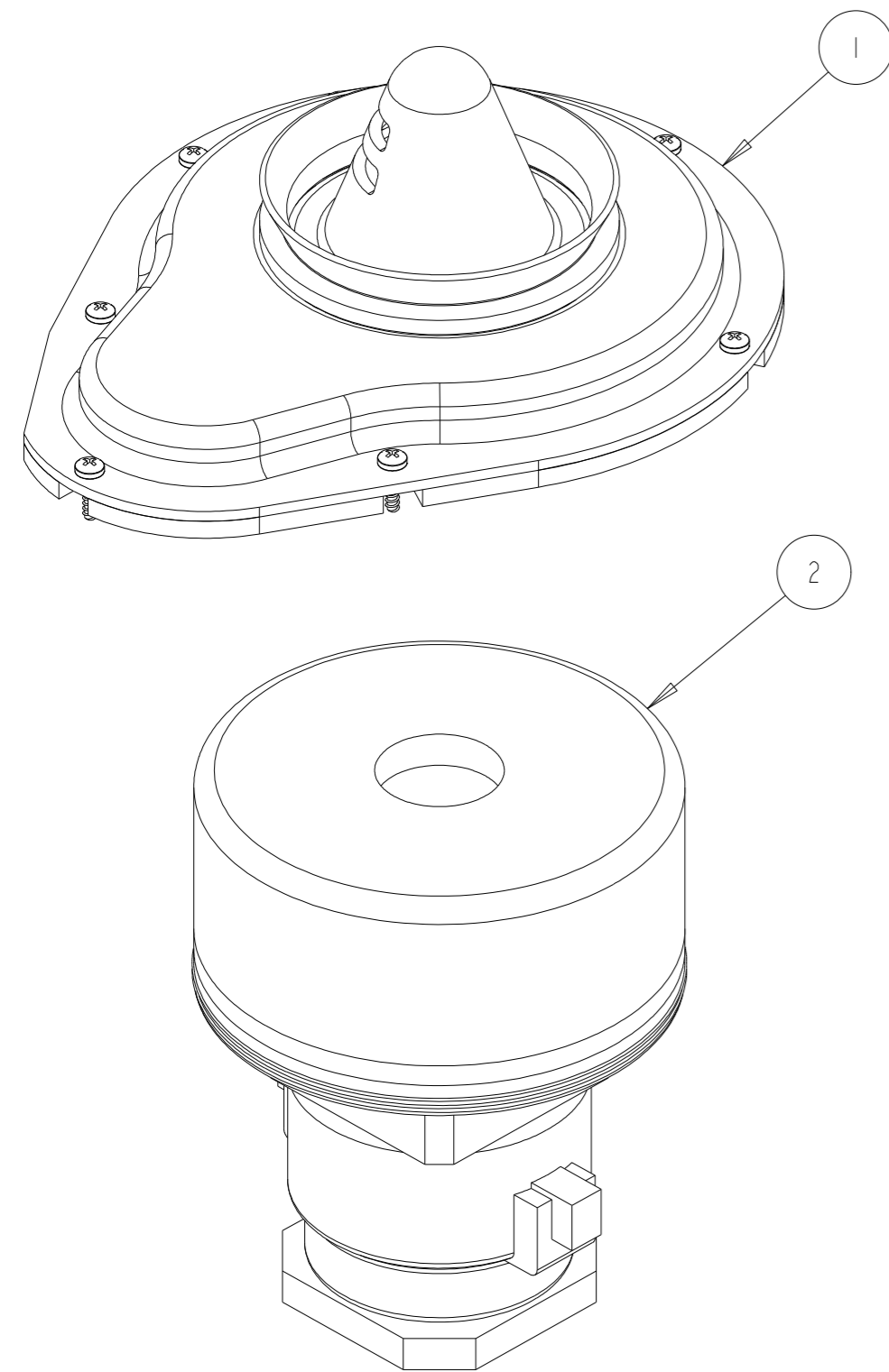
© COPYRIGHT DIMENSIONS IN MILLIMETRES DO NOT SCALE 3RD ANGLE PROJECTION

A2

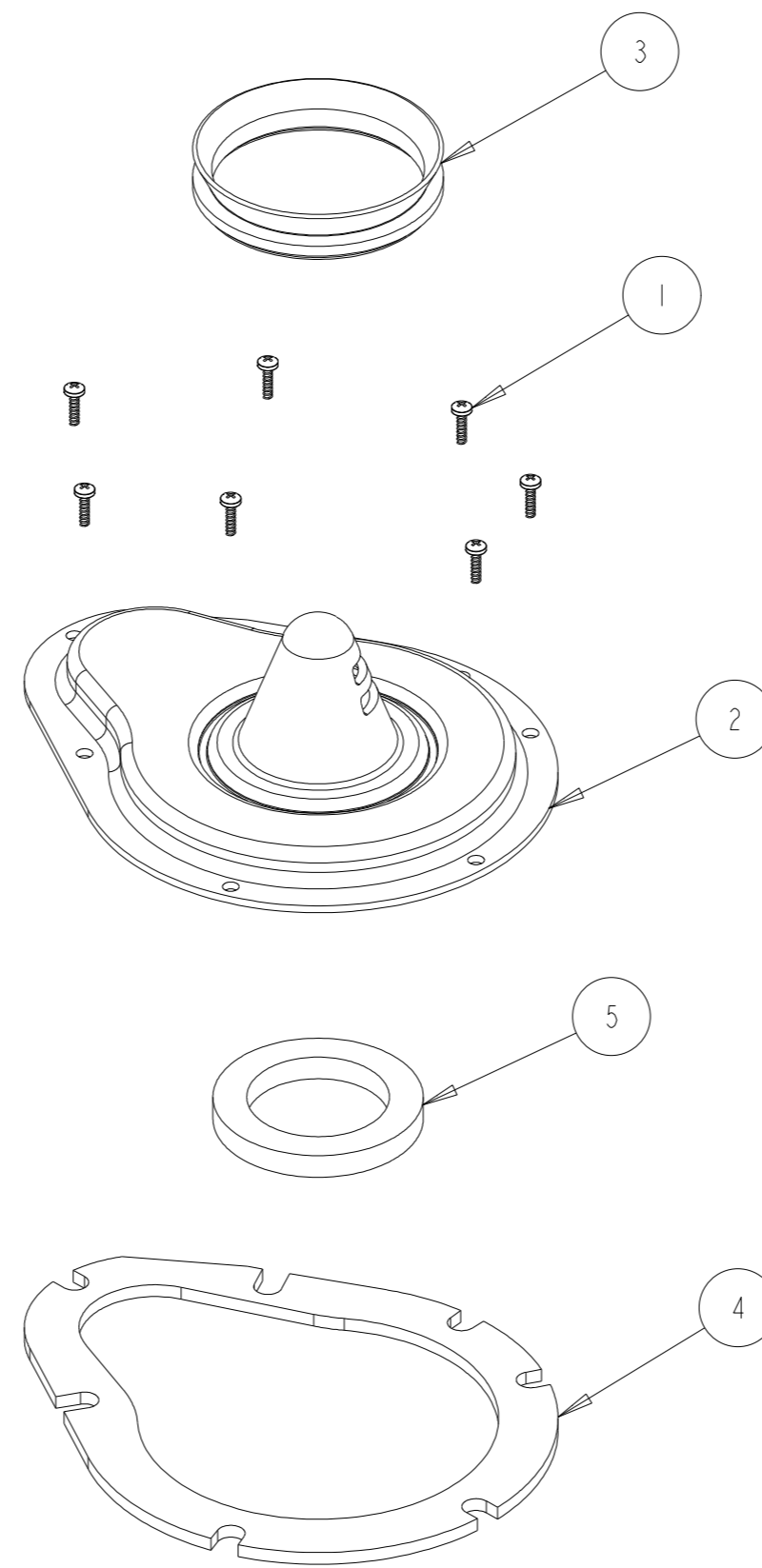
ITEM	PART No.	PART DESCRIPTION	QTY
1	05-3418-0000	VAC MOTOR COVER ASSEMBLY	1
2	05-3502-0000	VAC MOTOR ASSEMBLY	1

ITEM	PART No.	PART DESCRIPTION	QTY
1	02-3466-0000	WNI413KN50 X 16 SCREW S/TAP	7
2	03-5988-0000	HC250 VAC MOTOR COVER	1
3	03-6053-0000	VACUUM LIP SEAL	1
4	03-6132-0000	VAC MOTOR COVER OUTER SEAL	1
5	03-6133-0000	HC250 VAC MOTOR COVER INNER SEAL	1

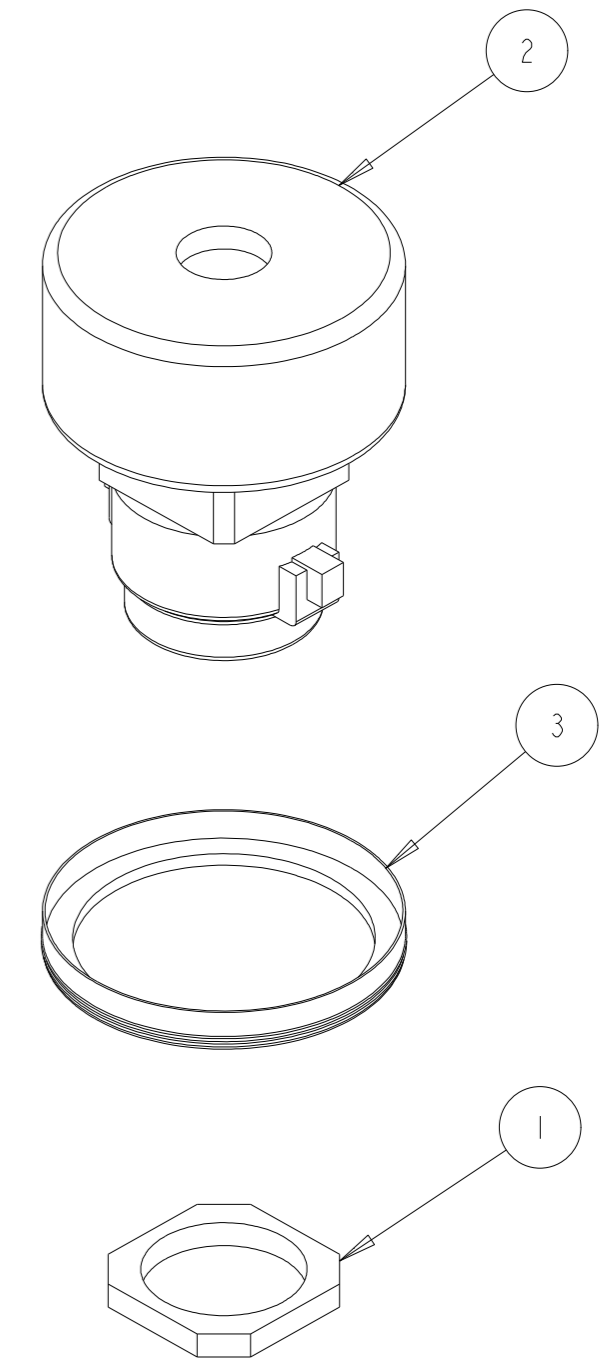
ITEM	PART No.	PART DESCRIPTION	QTY
1	03-6692-0000	HC250 VAC MOTOR INNER SEAL	1
2	04-3389-0000	AMETEK VAC MOTOR	1
3	97-0148-0000	VAC MOTOR RUBBER SEAL	1



05-3418-0000



05-3502-0000



MATERIAL:		GEN TOL X ±0.5 X.X ±0.2 X.XX ±0.1 ANG ±0.5°	TRUVOX™ INTERNATIONAL LIMITED	PART NO. 05-3497-0000
FINISH:		SCALE: X : X		
1	N/A NEW DRAWING	NMN	05 JAN 15	
ISSUE	ECN CHANGES	INT	DATE	

PART NO.
05-3728-0000

© COPYRIGHT

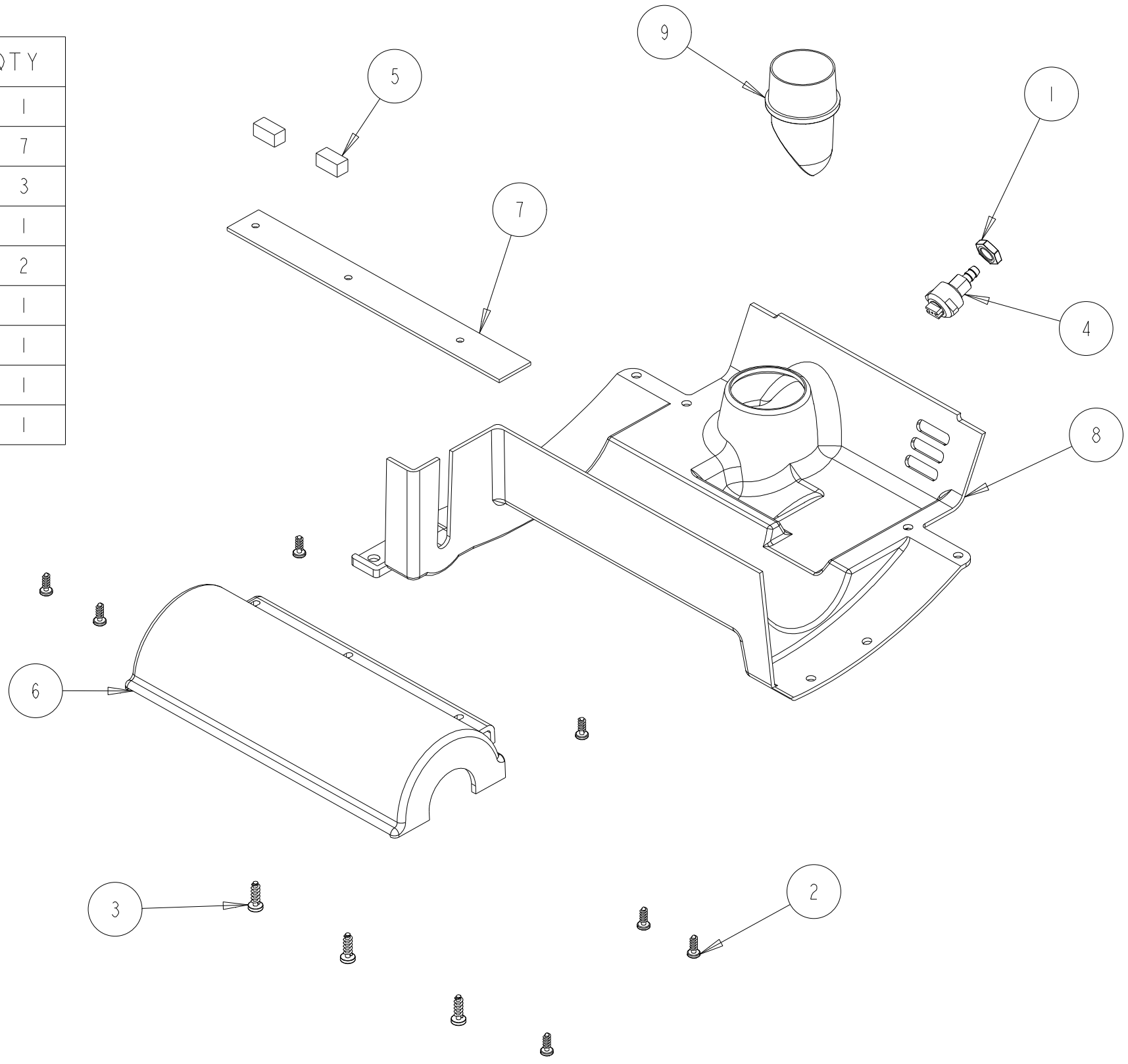
DIMENSIONS IN MILLIMETRES

DO NOT SCALE DRAWING

3RD ANGLE PROJECTION

A3

ITEM	PART No.	PART DESCRIPTION	QTY
1	02-3452-0000	SPRAY NOZZLE RETAINING NUT	1
2	02-3465-0000	ROTO SMALL TAPPER	7
3	02-3467-0000	KB60 X 18 POZI PAN PT SCREW Z/P	3
4	02-3487-0000	SPRAY NOZZLE	1
5	03-6010-0000	NITRILE/PVC GASKET	2
6	03-6642-0000	HC250 BRUSH CAVITY GUARD	1
7	03-6653-0000	HC250 EDGE SEAL	1
8	03-6666-0500	HC250 MOULDED BOTTOM COVER	1
9	03-8300-0000	HC250 MOULDED EXHAUST PORT	1



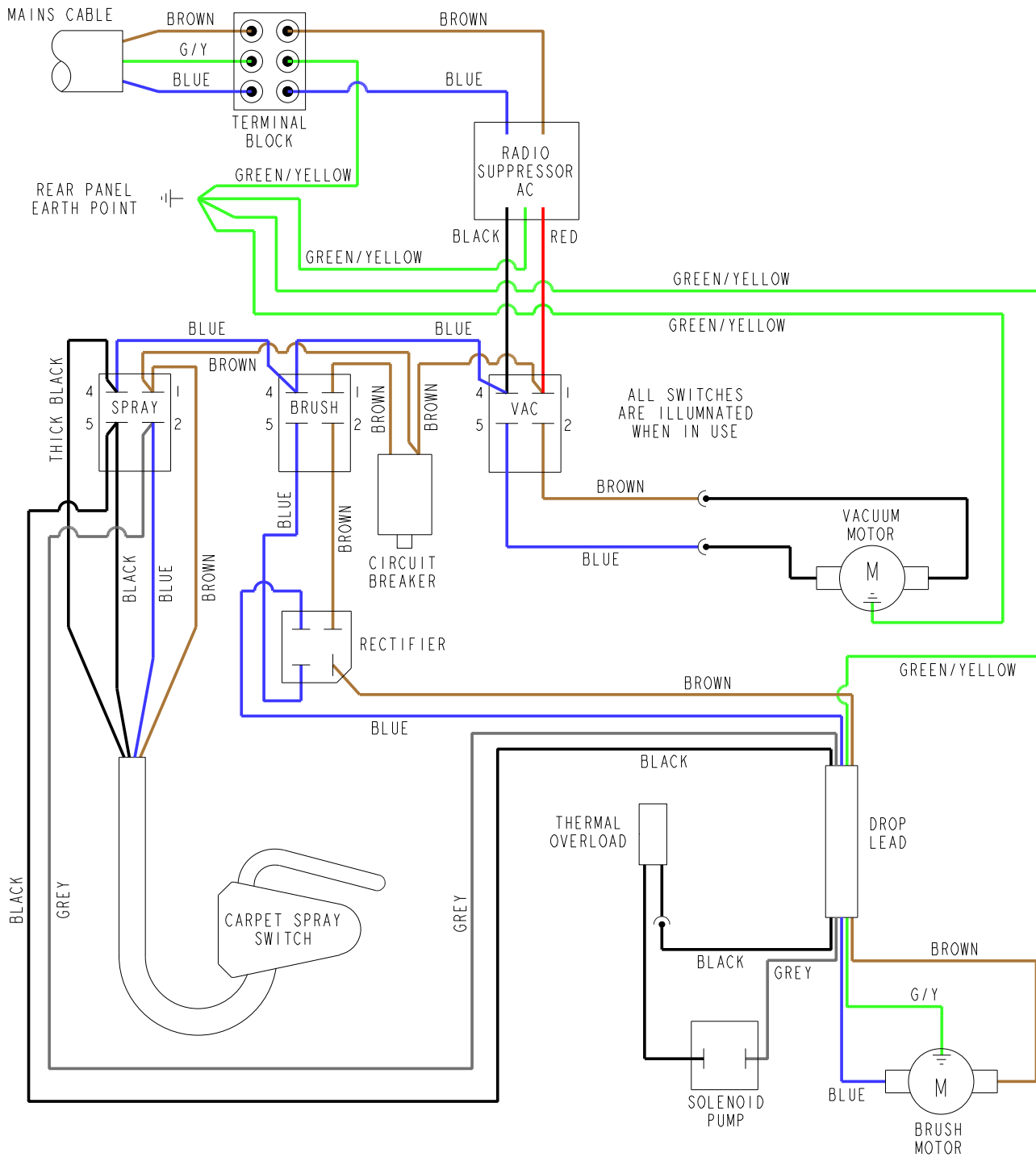
					MATERIAL:	GEN TOL X ±0.5 X.X ±0.2 X.XX ±0.1 ANG ±0.5°	TRUVOX™ INTERNATIONAL LIMITED	
					FINISH:	SCALE: X : X	TITLE:	
1	N/A	UPDATE P/N FOR MOULDED BOOTOM COVER	NPD	6 JUNE 16	DRN	CKD	PART NO.	
ISSUE	ECN	CHANGES	INT	DATE	NMN		HC250 BOTTOM COVER KIT 05-3728-0000	

PART NO.
09-1011-0000

© COPYRIGHT
DO NOT SCALE DRAWING

DIMENSIONS IN MILLIMETRES
3RD ANGLE PROJECTION

A4



WARNING NOTE:
ELECTRICAL MAINTENANCE
SHOULD ONLY BE
CARRIED OUT BY A
QUALIFIED ELECTRICIAN

1	1058	REDRAWN ON PRO E	NMN	13 FEB 13
B	N/A	REVISED	MC	28 APR 06
A	N/A	NEW DRAWING	CL	10 SEP 02
ISSUE	ECN	CHANGES	INT	DATE

MATERIAL:	GEN TOL
	X ±0.5
	X.X ±0.2
	X.XX ±0.1
	ANG ±0.5°
FINISH:	SCALE: X : X
	DRN CKD
	NMN

TRUVOX™ INTERNATIONAL LIMITED

TITLE:	PART NO.
HYDROMIST COMPACT 230V WIRING DIAGRAM	09-1011-0000