

Technical sheet :

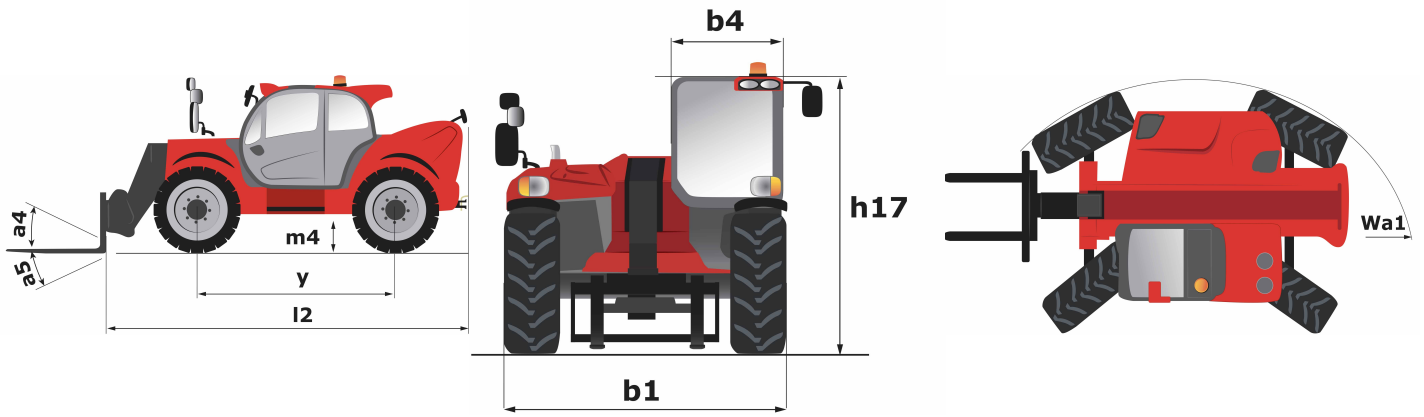
# **MHT-X 10180**

---



| Capacities                                  |           | Metric  |
|---|-----------|---|
| Max. capacity                               | Q         | 18000 kg                                      |
| Load centre of gravity                      | c         | 600 mm  |
| Max. lifting height                         | h3        | 9.63 m  |
| Max. Reach                                  | l4        | 5.56 m  |
| Weight and dimensions                       |           |   |
| Unladen weight (with forks)                 |           | 24000 kg                                      |
| Ground clearance                            | m4        | 0.44 m  |
| Wheelbase                                   | y         | 3.75 mm                                       |
| Length to face of forks                     | l2        | 6.65 m  |
| Overall width                               | b1        | 2.52 m  |
| Overall height                              | h17       | 3 m   |
| Overall cab width                           | b4        | 0.93 m  |
| Tilt-down angle                             | a5        | 105 °   |
| Tilt-up angle                               | a4        | 12 °  |
| External turning radius (over tyres)        | Wa1       | 5.5 m   |
| Outer turning radius (with forks)           | b15       | 6.75 m  |
| Forks length / width / section              | l / e / s | 1200 mm x 200 mm / 80 mm                      |
| Frame levelling corrector                   | a9        | 10 °  |
| tires                                       |           |   |
| Standard tyres                              |           | Goodyear - EV-3 - 16 R25                      |
| Number of front wheels / rear wheels        |           | 2 / 2   |
| Steering wheels (front / rear)              |           | 2 / 2   |
| Drive wheels (front / rear)                 |           | 2 / 2   |
| Steering mode                               |           | 2 wheel steer, 4 wheel steer, Crab mode       |
| Engine                                      |           |   |
| Engine brand                                |           | Mercedes                                      |
| Engine norm                                 |           | Stage III A                                   |
| Engine model                                |           | OM 904 LA. E3A/1                              |
| Number of cylinders / Capacity of cylinders |           | 4 - 4250 cm³                                  |
| I.C. Engine power rating / Power (kW)       |           | 176 Hp / 129 kW                               |
| Max. torque / Engine rotation               |           | 675 Nm@1200 rpm                               |
| Engine cooling system                       |           | Water   |
| Number of batteries                         |           | 2   |
| Battery / Batteries capacity                |           | 12 V / 120 Ah                                 |
| Drawbar pull (Laden)                        |           | 15970 daN                                     |
| Transmission                                |           |   |
| Transmission type                           |           | Hydrostatic                                   |
| Number of gears (forward / reverse)         |           | 2 / 2   |
| Max. travel speed                           |           | 25 km/h                                       |
| Parking brake                               |           | Automatic Negative Hand-brake                 |
| Service brake                               |           | Hydraulic                                     |
| Gradeability (laden)                        |           | 37 %  |
| Hydraulics                                  |           |   |
| Hydraulic pump type                         |           | Load sensing pump                             |
| Hydraulic flow - Pressure                   |           | 205 l/min - 350 Bar                           |
| Tank capacities                             |           |   |
| Engine oil                                  |           | 21 l  |
| Hydraulic oil                               |           | 290 l   |
| Fuel tank                                   |           | 315 l   |
| Noise and vibration                         |           |   |
| Noise at driving position (LpA)             |           | 80 dB(A)                                      |
| Noise to environment (LwA)                  |           | 107 dB(A)                                     |
| Vibration on hands/arms                     |           | < 2.5 m/s                                     |
| Miscellaneous                               |           |   |
| Safety / Safety cab homologation            |           | Standard EN 15000 - ROPS - FOPS cab (level 2) |
| Controls                                    |           | JSM   |
| Attachment recognition system (E-Reco)      |           | Standard                                      |

# Dimensional drawing







Siège Social  
430 rue de l'Aubinière - 44150 Ancenis Cedex - France  
Tel: +33(0)2 40 09 10 11 - Fax: +33 (0)2 40 09 10 97  
[www.manitou.com](http://www.manitou.com)



This brochure describes versions and configuration options for Manitou products which may be fitted with different equipment. The equipment described in this brochure may be standard, optional or not available depending on version. Manitou reserves the right to change the specifications shown and described at any time and without prior warning. The manufacturer is not liable for the specifications given. For more information, contact your Manitou dealer. Non-contractual document. Product descriptions may differ from actual products. List of specifications is not comprehensive. The logos and visual identity of the company are the property of Manitou and may not be used without authorisation. All rights reserved. The photos and diagrams contained in this brochure are provided for information only.

MANITOU BF SA - Limited company with board of directors - Share capital: 39,668,399 euros - 857 802 508  
RCS Nantes