



SC-270 ICE CUBER

SC-270 Ice Cuber

- Fully microprocessor controlled
- Lifetime warranty* on microprocessor
- 2 years warranty* on all other parts and labour
- All locally sourced components – replacement parts are cheaper and more readily available
- 304 grade Stainless Steel Cabinet
- Food grade polyethylene bin liner with non CFC foamed-in-place insulation
- Nickel plated, double-sided evaporator
- Capacity: up to 296kg per day
- Ice Storage Capacity: up to 220kg
- Can be supplied with or without storage bin
- Easy maintenance. Convenient access to all components
- Minimal water wastage
- Available as self-contained air cooled, remote air cooled or water cooled
- Australian designed
- Australian made
- Australian owned



* Refer warranty schedule for full details





SC-270 ICE CUBER

Specifications

Power

Voltage – 240-50Hz

Amps – 8.5

(10 Amp GPO)

Shipping Dimensions

83 x 88 x 180cm 145kg

Water Supply Requirements

3/4" BSP male stop cock within 1.5 metres of left hand side of machine

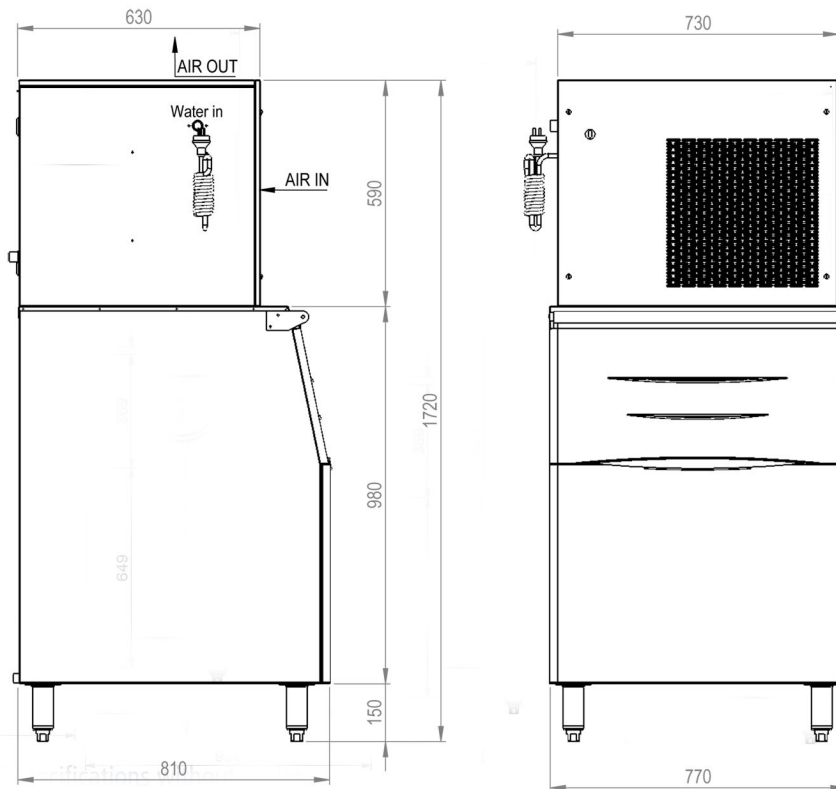


Drainage

Floor waste within 2 metres of machine

Ice Making Capacity

Ambient Temp (°Celcius)	Water Temp (°Celcius)	Kilograms Per 24 Hours
21	15	296
21	21	284
32	21	255
38	21	231



Continuing product improvement may necessitate changes of specifications without notice.

Distributed By

For more information or the name of your local sales agent call:

Stuart Manufacturing

1 Jayelem Crescent Padstow NSW 2211

Sales 1300 301 380 • **General Enquiries** 02 9773 3711

Facsimile 02 9773 4400 • **Email** ice@stuman.com.au

Website www.stuman.com.au