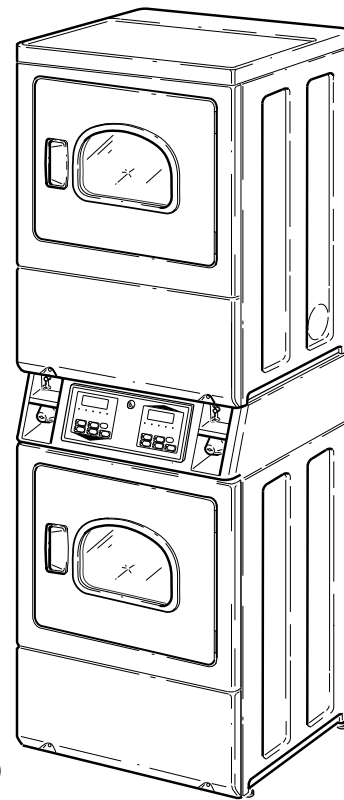


# Stacked Clothes Dryer

Electric and Gas Models

Installation/Operation



DRY722C\_SVG

## Original Instructions

Keep These Instructions for Future Reference.

**CAUTION: Read the instructions before using the machine.**



(If this machine changes ownership, this manual must accompany machine.)



[www.alliancelaundry.com](http://www.alliancelaundry.com)

Part No. D514579R4  
August 2017




	<b>WARNING</b>
	Risk of fire. Highly flammable material.
	W881


**IMPORTANT:** The electrical installation in the site shall comply with the Australian Electrical Standards, AS3000, SAA wiring rules, and such local regulations that might apply. In Australia and New Zealand, installation must comply with the Gas Installations Standard AS/NZS 5601 Part 1: General Installations.

The maximum drying load (dry weight) shall not exceed 9 kg [20 pounds].




Read all instructions before using unit.

	<b>WARNING</b>
<b>FOR YOUR SAFETY,</b> the information in this manual must be followed to minimize the risk of fire or explosion or to prevent property damage, personal injury or death.	
	W033

	<b>WARNING</b>
<ul style="list-style-type: none"> <li>• Do not store or use gasoline or other flammable vapors and liquids in the vicinity of this or any other appliance.</li> <li>• <b>WHAT TO DO IF YOU SMELL GAS:</b> <ul style="list-style-type: none"> <li>• Do not try to light any appliance.</li> <li>• Do not touch any electrical switch; do not use any phone in your building.</li> <li>• Clear the room, building or area of all occupants.</li> <li>• Immediately call your gas supplier from a neighbor's phone. Follow the gas supplier's instructions.</li> <li>• If you cannot reach your gas supplier, call the fire department.</li> </ul> </li> <li>• Installation and service must be performed by a qualified installer, service agency or the gas supplier.</li> </ul>	
	W052

**IMPORTANT:** Purchaser must consult the local gas supplier for suggested instructions to be followed if the dryer user smells gas. The gas utility instructions plus the SAFETY and WARNING note directly above must be posted in a prominent location near the dryer for customer use.

	<b>WARNING</b>
<ul style="list-style-type: none"> <li>• Installation of unit must be performed by a qualified installer.</li> <li>• Install clothes dryer according to manufacturer's instructions and local codes.</li> <li>• <b>DO NOT</b> install a clothes dryer with flexible plastic venting materials. If flexible metal (foil type) duct is installed, it must be of a specific type identified by the appliance manufacturer as suitable for use with clothes dryers. Refer to section on connecting exhaust system. Flexible venting materials are known to collapse, be easily crushed, and trap lint. These conditions will obstruct clothes dryer airflow and increase the risk of fire.</li> </ul>	
	W729R1



## WARNING

To reduce the risk of severe injury or death, follow all installation instructions. Save these instructions.

W894



## WARNING

### FOR YOUR SAFETY

Do not store or use gasoline or other flammable vapors and liquids in the vicinity of this or any other appliance.

W053

This product uses FreeRTOS V7.2.0 ([www.freertos.org](http://www.freertos.org)).

# Table of Contents


<b>Safety Information.....</b>	<b>7</b>
Explanation of Safety Messages.....	7
Important Safety Instructions.....	7
<b>Dimensions.....</b>	<b>9</b>
<b>Installation.....</b>	<b>12</b>
Before You Start.....	12
Tools.....	12
Additional Security.....	12
Order of Installation Steps.....	12
Position and Level the Dryer.....	12
Connect Dryer Exhaust System.....	15
Exhaust Direction.....	16
Exhaust System.....	16
Multi-Dryer Installation Exhaust Requirements.....	17
Gas Dryers - Connect Gas Supply Pipe.....	20
Reverse Door, if Desired.....	22
Wipe Out Inside of Dryer.....	23
Plug In the Dryer.....	23
Electrical Requirements.....	23
Earth/Ground Instructions.....	24
Recheck Steps.....	25
Check Heat Source.....	25
Electric Dryers.....	25
Gas Dryers.....	25
<b>Operation.....</b>	<b>27</b>
Operation Instructions.....	27
Clean Lint Filter.....	27
Load Laundry.....	27
Close Loading Door.....	27
Determine Proper Dryer.....	27
Set Fabric Selector.....	28
Insert Coins or Card.....	28
Insert Coins.....	28
To Insert Card.....	28
Start Dryer.....	28
Indicator Lights.....	29


<b>Maintenance.....</b>	<b>30</b>
Lubrication.....	30
Care of Your Dryer.....	30
Dryer Interior.....	30
Cabinet.....	30
Control Panel.....	30
Exhaust System.....	30
Lint Filter.....	30
Motor Overload Protector.....	31
For Energy Conservation.....	31
<b>Troubleshooting.....</b>	<b>32</b>
<b>Contact Information.....</b>	<b>34</b>
<b>Installer Checklist.....</b>	<b>35</b>


# Safety Information

## Explanation of Safety Messages

Precautionary statements (“DANGER,” “WARNING,” and “CAUTION”), followed by specific instructions, are found in this manual and on machine decals. These precautions are intended for the personal safety of the operator, user, servicer, and those maintaining the machine.

	<b>DANGER</b>
Indicates an imminently hazardous situation that, if not avoided, will cause severe personal injury or death.	

	<b>WARNING</b>
Indicates a hazardous situation that, if not avoided, could cause severe personal injury or death.	

	<b>CAUTION</b>
Indicates a hazardous situation that, if not avoided, may cause minor or moderate personal injury or property damage.	


Additional precautionary statements (“IMPORTANT” and “NOTE”) are followed by specific instructions.

**IMPORTANT:** The word “IMPORTANT” is used to inform the reader of specific procedures where minor machine damage will occur if the procedure is not followed.

**NOTE:** The word “NOTE” is used to communicate installation, operation, maintenance or servicing information that is important but not hazard related.

## Important Safety Instructions

Save These Instructions

	<b>WARNING</b>
To reduce the risk of fire, electric shock, serious injury or death to persons when using your dryer, follow these basic precautions:	
W130	

- Read all instructions before using the dryer.

- Install this dryer according to the INSTALLATION INSTRUCTIONS. Refer to the EARTH/GROUND INSTRUCTIONS in the INSTALLATION manual for the proper earth/ground connection of the dryer. All connections for electrical power, earth/ground and gas supply must comply with local codes and be made by licensed personnel when required. Do not do it yourself.
- Do not install or store the dryer where it will be exposed to water and/or weather.
- Do not dry articles that have been previously cleaned in, washed in, soaked in, or spotted with gasoline or machine oils, vegetable or cooking oils, cleaning waxes or chemicals, dry-cleaning solvents, thinner, anything containing chemicals such as in mops and cleaning cloths, or other flammable or explosive substances as they give off vapors that could ignite, explode or cause fabric to catch on fire by itself.
- Items that have been soiled with substances such as cooking oil, acetone, alcohol, petrol, kerosene, spot removers, turpentine, waxes and wax removers, should be washed in hot water with an extra amount of detergent before being dried in the tumble dryer.
- To reduce the risk of fire, DO NOT DRY plastics or articles containing foam or latex rubber or similarly textured rubber-like materials, such as shower caps, water proof textiles, rubber-backed articles, and clothes or pillows filled with foam rubber pads.
- Do not tumble fiberglass curtains and draperies unless the label says it can be done. If they are dried, wipe out the cylinder with a damp cloth to remove particles of fiberglass.
- Do not allow children to play on or in the dryer. Close supervision of children is necessary when the dryer is used near children. This appliance is not intended for use by persons (including children) with reduced physical, sensory or mental capabilities, or lack of experience and knowledge, unless they have been given supervision or instruction concerning the use of the appliance by a person responsible for their safety. This is a safety rule for all appliances.
- Cleaning and user maintenance shall not be made by children without supervision.
- Children less than three years should be kept away unless continuously supervised.
- Do not reach into the dryer if the cylinder is revolving.
- Use the dryer only for its intended purpose, drying clothes. ALWAYS follow the fabric care instructions supplied by the garment manufacturer and only use the dryer drum to dry textiles that have been washed in water.
- Always read and follow manufacturer’s instructions on packages of laundry and cleaning aids. Heed all warnings or precautions. To reduce the risk of poisoning or chemical burns, keep them out of reach of children at all times (preferably in a locked cabinet).
- Remove laundry immediately after the dryer stops.

## Safety Information

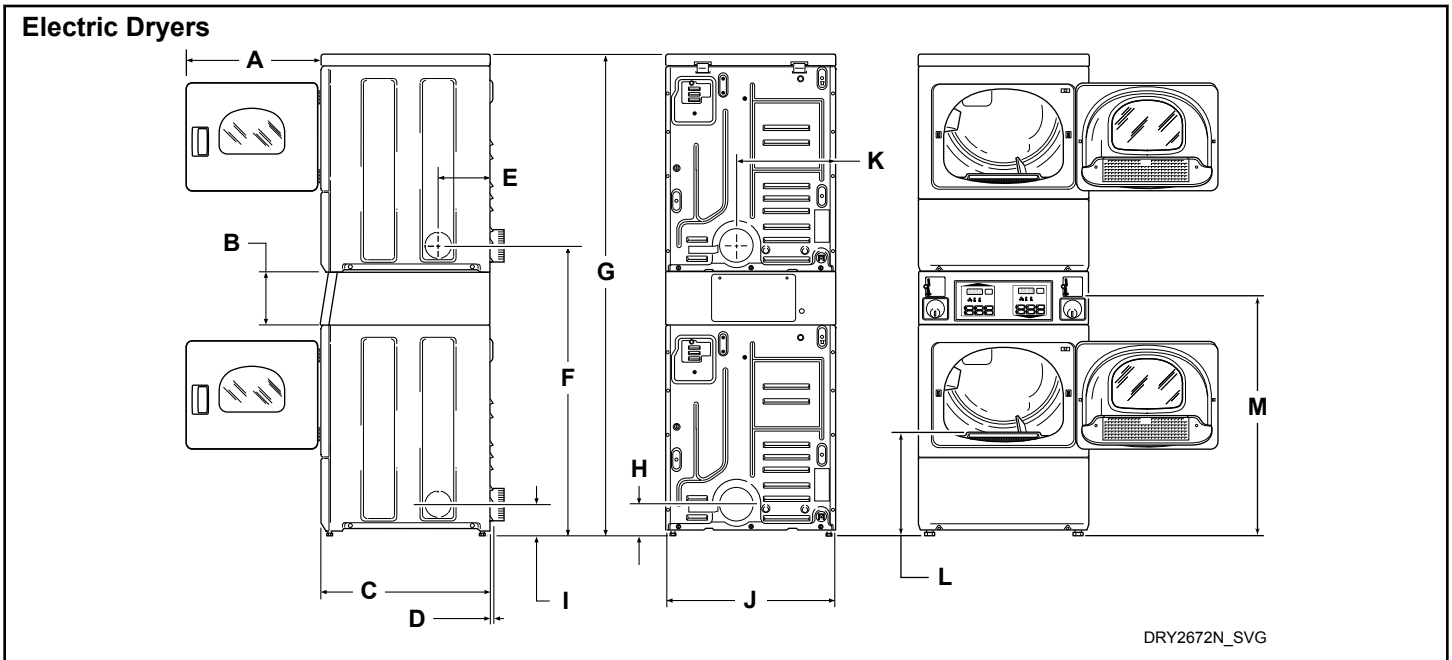
- DO NOT operate the dryer if it is smoking, grinding or has missing or broken parts or removed guards and/or panels. DO NOT tamper with the controls or bypass any safety devices.
- DO NOT operate individual units if they have been separated from a stack unit.
- Dryer will not operate with the loading door open. DO NOT bypass the door safety switch by permitting the dryer to operate with the door open. The dryer will stop tumbling when the door is opened. Do not use the dryer if it does not stop tumbling when the door is opened or starts tumbling without pressing the START mechanism. Remove the dryer from use and call the service person.
- ALWAYS clean the lint filter after every load. A layer of lint in the filter reduces drying efficiency and prolongs drying time. Keep area around the exhaust opening and adjacent surrounding area free from the accumulation of lint, dust and dirt. The interior of the dryer and the exhaust duct should be cleaned periodically by qualified service personnel.
- Do not repair or replace any part of the dryer, or attempt any servicing unless specifically recommended in the user-maintenance instructions or in published user-repair instructions that you understand and have the skills to carry out. ALWAYS disconnect the electrical power to the dryer before attempting service. Disconnect the power cord by grasping the plug, not the cord.
- If supply cord is damaged, it must be replaced by the manufacturer, its service agent or similarly qualified persons in order to avoid a hazard.
- Before the dryer is removed from service or discarded, remove the door to the drying compartment.
- Failure to install, maintain, and/or operate this machine according to the manufacturer's instructions may result in conditions which can produce bodily injury and/or property damage.

**NOTE: The WARNING and IMPORTANT SAFETY INSTRUCTIONS appearing in this manual are not meant to cover all possible conditions and situations that may occur. Observe and be aware of other labels and precautions that are located on the machine. They are intended to provide instruction for safe use of the machine. Common sense, caution and care must be exercised when installing, maintaining, or operating the dryer.**

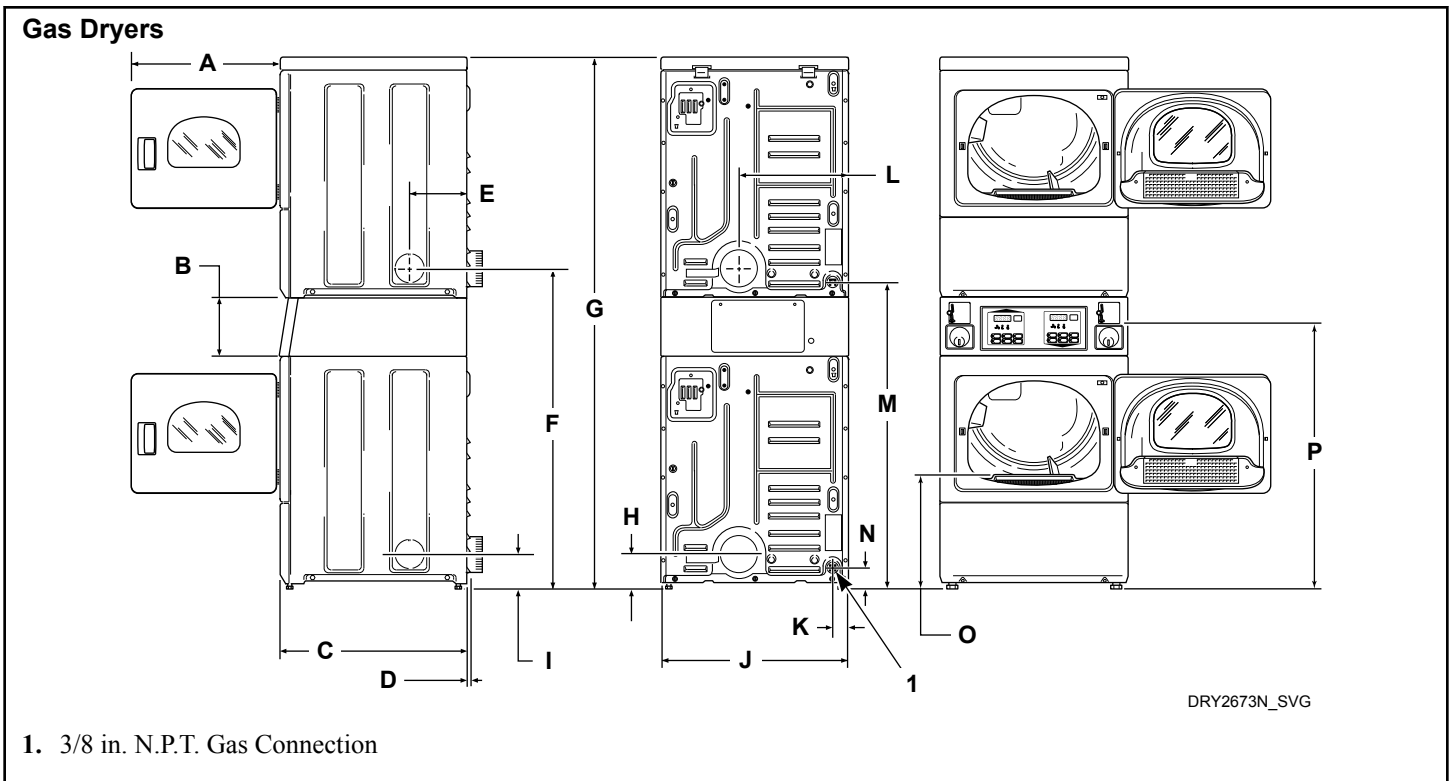
Always contact your dealer, distributor, service agent or the manufacturer about any problems or conditions you do not understand.



# Dimensions



A	597 mm [23.5 in.]
B	213 mm [8.375 in.]
C	711 mm [28 in.]
D	11 mm [0.4 in.]
E	203 mm [8 in.]
F	1184 mm [46.62 in.]
G	*1986 mm [78.17 in.]
H	*102 mm [4 in.]
I	*114 mm [4.5 in.]
J	683 mm [26.875 in.]
K	391 mm [15.4 in.]
L	*392 mm [15.44 in.]
M	*994 mm [39.13 in.]
<b>NOTE: Exhaust openings are 102 mm [4 inch] metal ducting.</b>	* With leveling legs turned into base.



A	597 mm [23.5 in.]
B	213 mm [8.375 in.]
C	711 mm [28 in.]
D	11 mm [0.4 in.]
E	203 mm [8 in.]
F	1184 mm [46.62 in.]
G	*1986 mm [78.17 in.]
H	*102 mm [4 in.]
I	*114 mm [4.5 in.]
J	683 mm [26.875 in.]
K	60 mm [2.3 in.]
L	391 mm [15.4 in.]
M	*1140 mm [44.87 in.]
N	*70 mm [2.8 in.]
O	*392 mm [15.44 in.]
P	*994 mm [39.13 in.]
<b>NOTE: Exhaust openings are 102 mm [4 inch] metal ducting.</b>	* With leveling legs turned into base.

**NOTE: Gas models cannot be vented out left side of cabinet because of burner housing.**

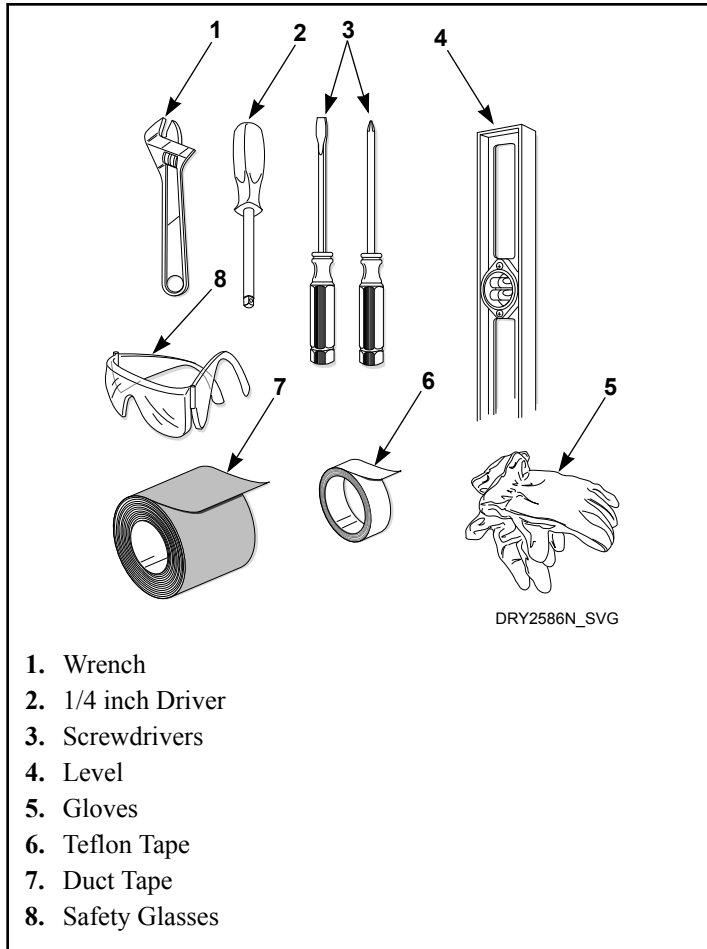
**IMPORTANT:** The dryer should have sufficient clearance around it for needed ventilation and for the ease of installation and servicing. For maximum drying performance, we recommend that more clearance be allowed around the dryer than the clearances that are listed throughout this manual.

# Installation

## Before You Start

### Tools

For most installations, the basic tools you will need are:



1. Wrench
2. 1/4 inch Driver
3. Screwdrivers
4. Level
5. Gloves
6. Teflon Tape
7. Duct Tape
8. Safety Glasses

Figure 1

**NOTE: An 203 mm [8 in.] coin drawer is required for coin drop operated models.**

**NOTE: This appliance is suitable for use in countries having a warm, damp climate.**



## WARNING

**Any disassembly requiring the use of tools must be performed by a suitably qualified service person.**

W299

## Additional Security

Torx security screws are available (as optional equipment at extra cost) for securing lower access panel to each dryer base. Order part number 62853.

A Torx bit, part number 282P4, is available (as optional equipment at extra cost) for installing the Torx security screws.

A Torx bit holder, part number 24161, is available (as optional equipment at extra cost) to be used with the Torx bit.

## Order of Installation Steps

1. Position and level the dryer.
2. Connect dryer to exhaust system.
3. For gas models only, connect the gas supply pipe. Check for gas leaks.
4. Reverse the door, if desired.
5. Wipe out the inside of the dryer.
6. Plug in the dryer.
7. Recheck steps.
8. Start and run the dryer in a heat setting to verify dryer is heating.

## Position and Level the Dryer

1. Install the four rubber feet (in accessories bag).
2. Select a location with a solid floor. Dryers installed in residential garages must be elevated 457 mm [18 inches] above the floor.

No other fuel burning appliance should be installed in the same closet with the dryer.

The dryer must not be installed or stored in an area where it will be exposed to water and/or weather.

The dryer needs sufficient clearance and an adequate air supply for proper operation and ventilation, and for easier installation and servicing. (Minimum clearances are shown in *Figure 3*).

The dryer must not be installed behind a lockable door, a sliding door or a door with a hinge on the opposite side to that of the dryer, in such a way that a full opening of the dryer door is restricted.

3. Place the dryer in position, and adjust the legs until the dryer is level from side to side and front to back. Leveling legs can be adjusted from inside the dryer with a 1/4 in. driver.
4. All four legs must rest firmly on the floor so the weight of the dryer is evenly distributed. The dryer must not rock.

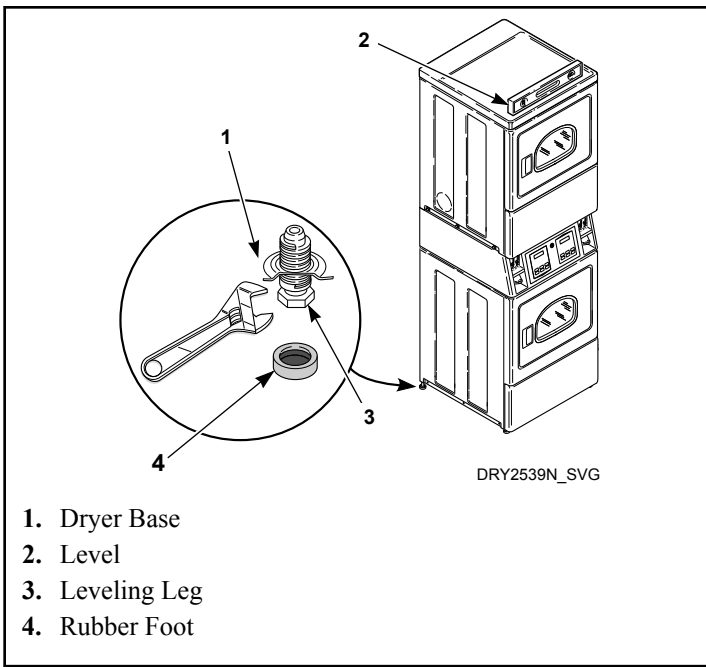


Figure 2

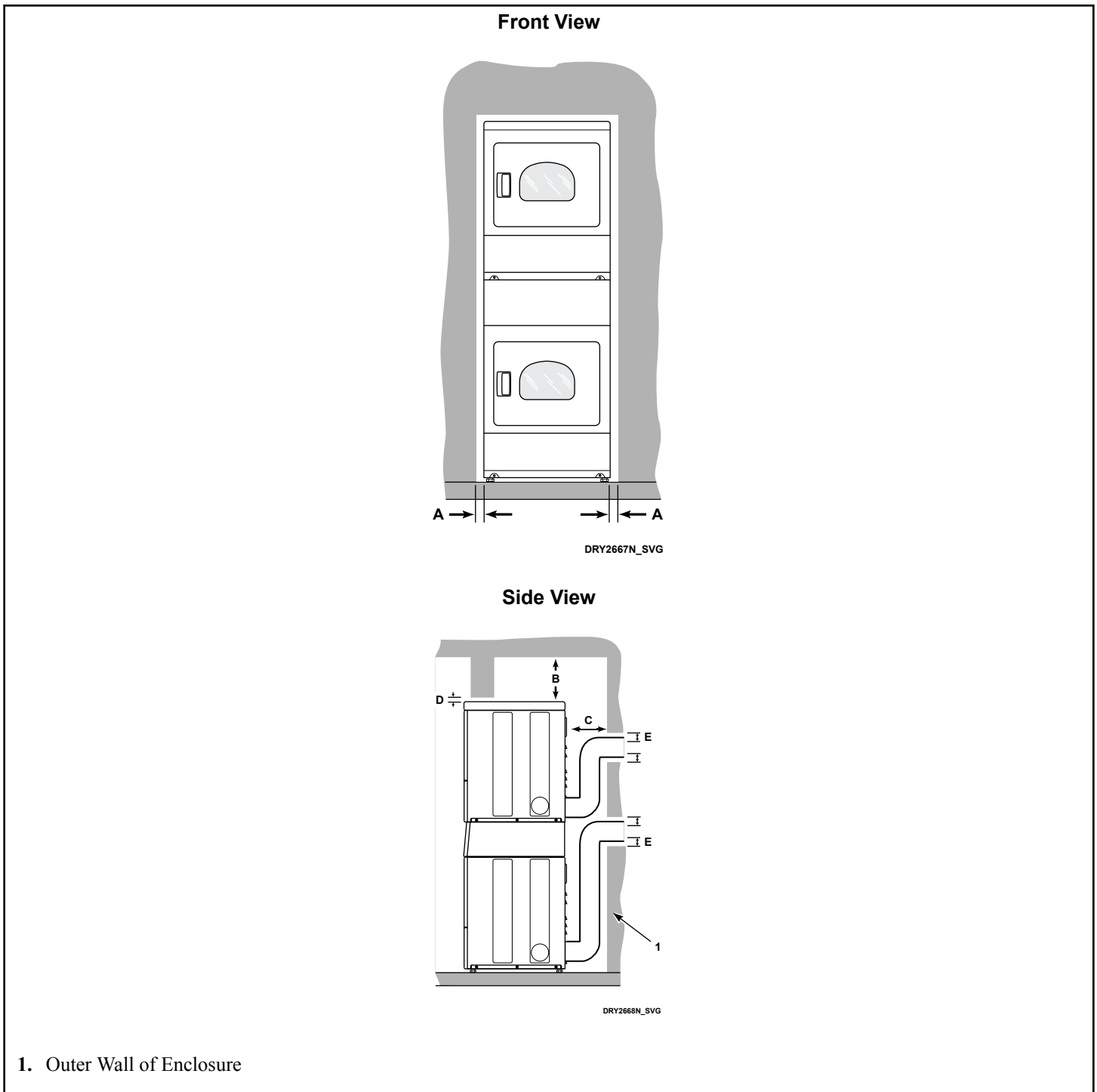


Figure 3

Area	Description	Free Standing/Alcove Installation
A	Dryer sides	0 mm [0 in.]
B	Dryer top (rear 610 mm [24 in.]	305 mm [12 in.]

Table 1 continues...

Area	Description	Free Standing/Alcove Installation
C*	Dryer rear	102 mm [4 in.]
D	Dryer Top (front 201 mm [4 in.])	13 mm [0.5 in.]
E	Exhaust duct clearance to combustible material	51 mm [2 in.]
*	Rear clearance is minimum. 152 mm [6 inches] is recommended when venting through rear of unit.	


Table 1


**NOTE:** For new installations, it is suggested to locate top of wall vent 42 inches (106.7 cm) above floor to make venting easier to connect.


**IMPORTANT:** In mobile home installations, gas dryers **MUST** be permanently attached to the floor at the time of installation. Order No. 526P3 Hold Down Kit (available at extra cost) for a manufactured (mobile) home installation. Follow the instructions supplied with the kit.


**IMPORTANT:** Unless completely assembled, **DO NOT** slide the dryer unit across the floor. **DO NOT** slide the unit once the leveling legs have been extended, as the legs and the base could become damaged.


### Connect Dryer Exhaust System

	<b>WARNING</b>
<p>To reduce the risk of fire and combustion gas accumulation the dryer <b>MUST</b> be exhausted to the outdoors.</p> <p style="text-align: right;">W604</p>	

	<b>WARNING</b>
<p>To reduce the risk of fire and the accumulation of combustion gases, <b>DO NOT</b> exhaust dryer air into a window well, gas vent, chimney or enclosed, unventilated area, such as an attic, wall, ceiling, crawl space under a building or concealed space of a building.</p> <p style="text-align: right;">W045</p>	

	<b>WARNING</b>
<p>To reduce the risk of fire, <b>DO NOT</b> use plastic or thin foil ducting to exhaust the dryer.</p> <p style="text-align: right;">W354</p>	

	<b>WARNING</b>
<p>To reduce the risk of fire, the exhaust duct and weather hood <b>MUST</b> be fabricated of a material that will not support combustion. Rigid or flexible metal pipe is recommended for a clothes dryer.</p> <p style="text-align: right;">W048</p>	

	<b>WARNING</b>
<p>To reduce the risk of fire due to increased static pressure, we do not recommend installation of in-line secondary lint filters or lint collectors. If secondary systems are mandated, frequently clean the system to assure safe operation.</p> <p style="text-align: right;">W749</p>	

**IMPORTANT:** Installing in-line filters or lint collectors will cause increased static pressure. Failure to maintain the secondary lint system will decrease dryer efficiency and will void machine warranty.

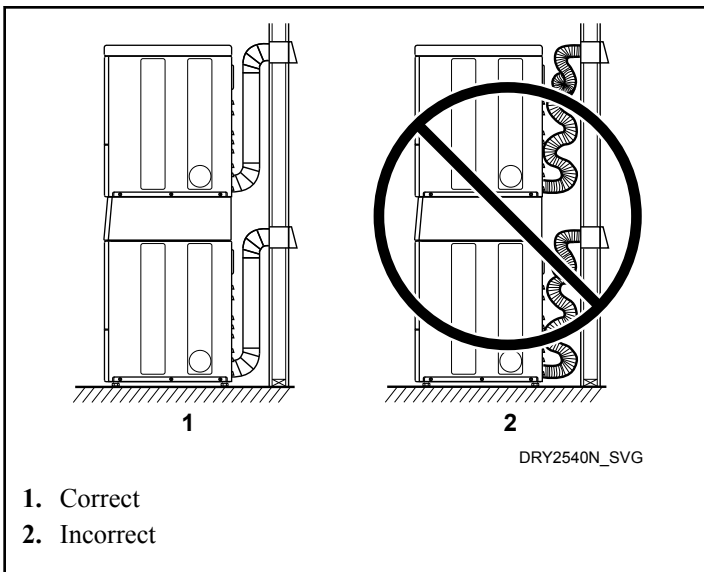


Figure 4

- DO NOT use plastic, thin foil or type B ducting. Rigid metal duct is recommended.
- Locate dryer so exhaust duct is as short as possible.
- Be certain old exhaust ducts are cleaned before installing your new dryer.
- Use 102 mm [4 inch] diameter rigid or flexible metal duct.
- The male end of each section of duct must point away from the dryer.
- Use as few elbows as possible.
- Use of duct tape or pop-rivets on all seams and joints is recommended, if allowed by local codes. DO NOT use sheet metal screws or fasteners on exhaust pipe joints which extend into the duct and catch lint.
- Ductwork that runs through unheated areas must be insulated to help reduce condensation and lint build-up on pipe walls.
- Install backdraft dampers in multi-dryer installations.
- In mobile home installations, dryer exhaust duct must be secured to mobile home structure.
- Dryer exhaust duct MUST NOT terminate under mobile home.
- Exhaust duct must not be connected to any other duct, vent, or chimney.
- Dryer exhausts 5.09 cmm (180 cfm) per unit (measured at back of dryer).
- DO NOT install flexible duct in concealed spaces, such as a wall or ceiling.
- Static pressure in exhaust duct should not be greater than 10 mm water column [0.4 inches water column], measured with manometer placed on exhaust duct 610 mm [two feet] from dryer (check with dryer running and no load). In multi-dryer installations, all dryers connected to the main collector duct should be operating when pressure is checked.

- Exhausting dryer in hard-to-reach locations can be done by installing 521P3 Flexible Metal Vent Kit (available as optional equipment at extra cost).
- Sufficient make-up air must be supplied to replace the air exhausted by the dryer. The free area of any opening for outside air must be at least 25806 mm<sup>2</sup> [40 in.<sup>2</sup>] per unit.
- Energy efficient buildings with low air infiltration rates should be equipped with an air exchanger that can accommodate on demand make-up air needs in the laundry room. These devices can be obtained through your building contractor or building material suppliers.
- Do not draw make-up air from a room containing a gas fired water heater, a dry cleaner or a hair salon.
- Failure to exhaust dryer properly will void warranty.
- A dryer will dissipate 681,392 J/m<sup>2</sup> [60 Btu/ft<sup>2</sup>] of surface area exposed to the conditioned air.

**NOTE: Venting materials are not supplied with the dryer (obtain locally).**

**IMPORTANT: DO NOT block the airflow at the bottom of the dryer's front panel with laundry, rugs, etc. Blockage will decrease airflow through the dryer, thus reducing the efficiency of the dryer.**

### Exhaust Direction

The dryer can be exhausted to the outdoors through the back, left, right or bottom of the dryer. EXCEPTION: Gas dryers cannot be vented out the left side because of the burner housing.

Dryer is shipped from factory ready for rear exhaust.

Exhausting the dryer through sides or bottom can be accomplished by installing a Directional Exhaust Kit, 528P3, available as optional equipment at extra cost.

**IMPORTANT: DO NOT block the airflow at the bottom of the dryer's front panel with laundry, rugs, etc. Blockage will decrease airflow through the dryer, thus reducing the efficiency of the dryer.**

### Exhaust System

For best drying results, recommended maximum length of exhaust system is shown in *Table 2*.

To prevent backdraft when dryer is not in operation, outer end of exhaust pipe must have a weather hood with hinged dampers (obtain locally).

**NOTE: Weather hood should be installed at least 305 mm [12 inches] above the ground. Larger clearances may be necessary for installations where heavy snow-fall can occur.**



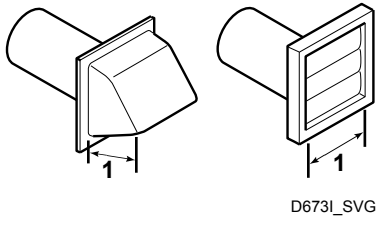
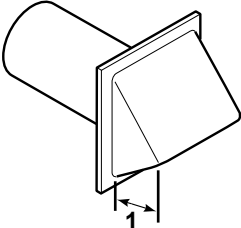
Number of 90° Elbows	Weather Hood Type	
	Recommended	Use Only for Short Run Installations
	 <p>1. 102 mm [4 in.]</p>	 <p>1. 64 mm [2.5 in.]</p>
<b>Maximum length of 102 mm [4 in.] diameter rigid metal duct.</b>		
0	19.8 m [65 feet]	16.8 m [55 feet]
1	16.8 m [55 feet]	14.3 m [47 feet]
2	14.3 m [47 feet]	12.5 m [41 feet]
3	11.0 m [36 feet]	9.1 m [30 feet]
4	8.5 m [28 feet]	6.7 m [22 feet]

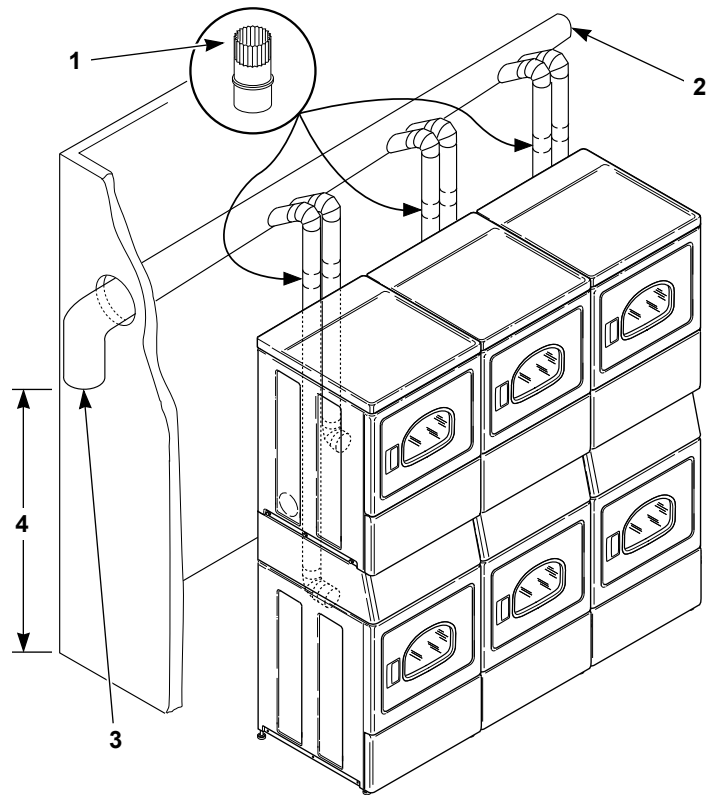
Table 2

**NOTE: Deduct 1.8 m [6 feet] for each additional elbow.**

**NOTE: The maximum length of a 102 mm [4 in.] diameter flexible metal duct must not exceed 2.4 m [7.87 ft.], as required to meet UL2158, clause 7.3.2.A.**

**Multi-Dryer Installation Exhaust Requirements**

*Figure 5* shows a typical example of a multiple dryer installation. Note how each dryer has its own exhaust system vented to the central exhaust duct.



DRY2674N\_SVG

1. 58786 Backdraft Damper (Available through your local authorized parts source)
2. Clean Out Cover (Must be provided). Inspect monthly.
3. Weather Hood or Sweep Elbow (No cap or screen)
4. 610 mm [24 in.] Minimum Clearance to Roof/Ground

Figure 5

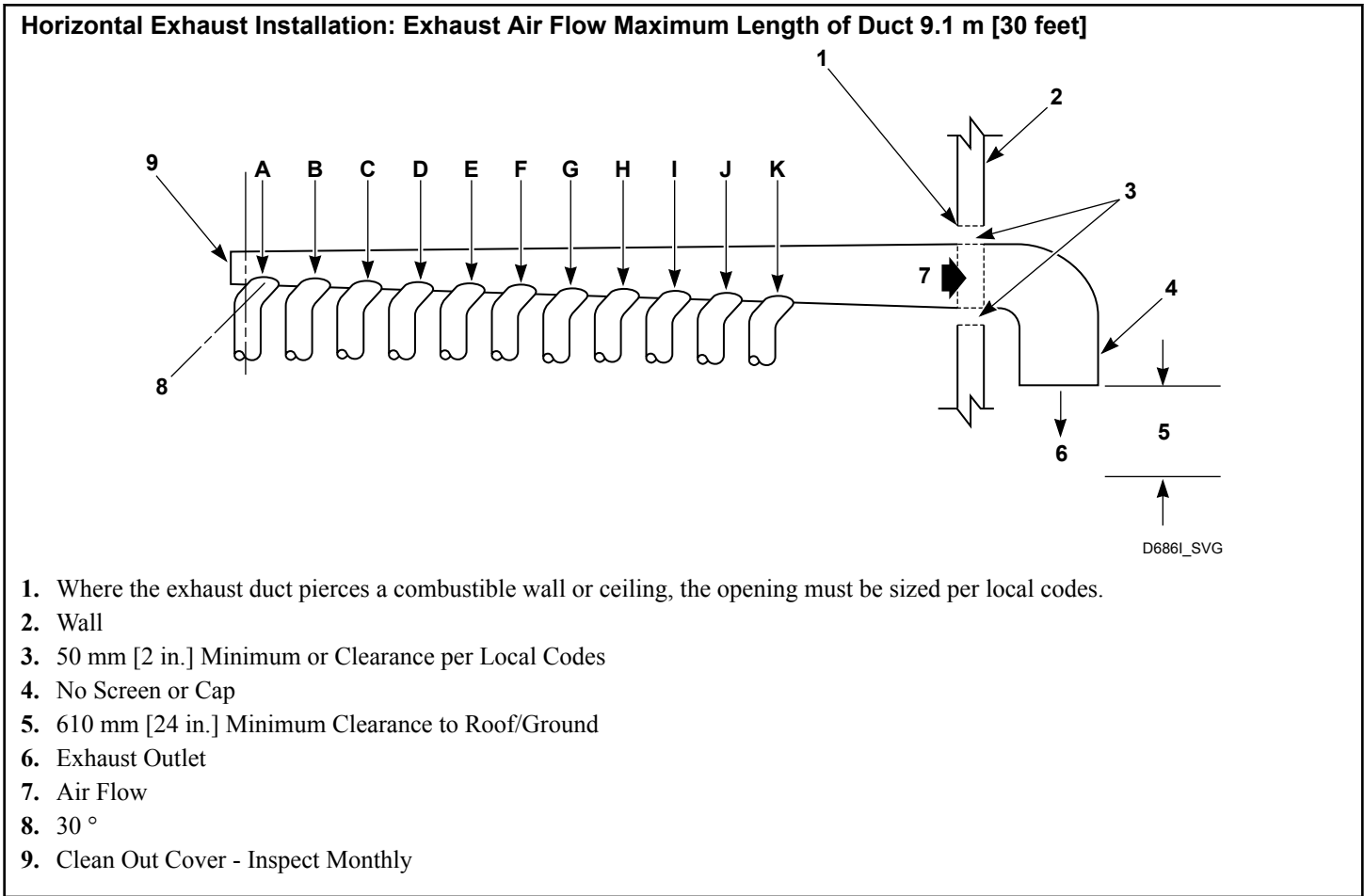
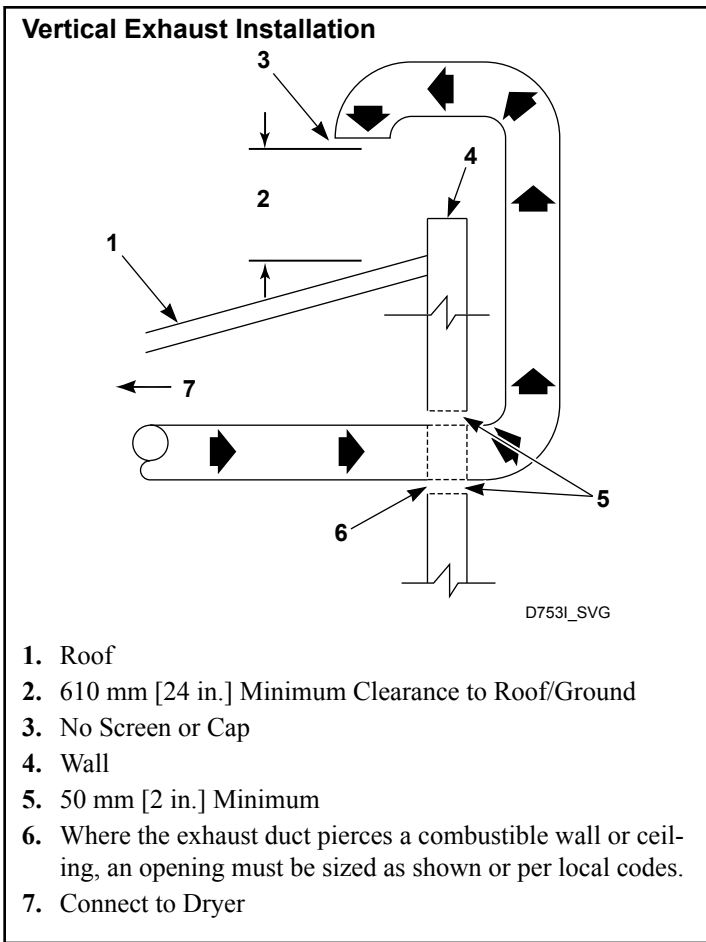


Figure 6

Duct Station	Minimum Diameter of Collector Duct
A	102 mm [4 inches]
B	203 mm [8 inches]
C	229 mm [9 inches]
D	254 mm [10 inches]
E	279 mm [11 inches]
F	305 mm [12 inches]
G	326 mm [13 inches]
H	356 mm [14 inches]
I	381 mm [15 inches]
J	381 mm [15 inches]
K	406 mm [16 inches]

Table 3



1. Roof
2. 610 mm [24 in.] Minimum Clearance to Roof/Ground
3. No Screen or Cap
4. Wall
5. 50 mm [2 in.] Minimum
6. Where the exhaust duct pierces a combustible wall or ceiling, an opening must be sized as shown or per local codes.
7. Connect to Dryer

Figure 7

## WARNING

**To reduce the risk of fire and the accumulation of combustion gases, DO NOT exhaust dryer air into a window well, gas vent, chimney or enclosed, unventilated area, such as an attic, wall, ceiling, crawl space under a building or concealed space of a building.**

W045

A Backdraft Damper, Part No. 58786 (obtain locally), should be installed in a 102 mm [4 inch] diameter VERTICAL duct system. This will prevent a backdraft when dryer is not in use, and will keep the exhaust air in balance within the central exhaust system.

## Gas Dryers - Connect Gas Supply Pipe

**NOTE: The gas service to a gas dryer must conform with the local codes and ordinances and in Australia and New Zealand, installation must comply with the Gas Installations Standard AS/ NZS 5601 Part 1: General Installations. In the absence of local codes and ordinances, applicable National codes should be followed.**

1. Install the dryer with sufficient clearance for adequate air circulation, and for the ease of the dryer installation, servicing and operation. For maximum drying performance, we recommend you allow more clearance than the clearances that are listed throughout this manual.

2. Remove the shipping cap from the gas connection at the rear of the dryer. Make sure you do not damage the pipe threads when removing the cap.

**NOTE: If gas supply connection is British Standard Pipe Tapered thread (BSPT), order 44178804 brass female NPT (FPT) to male BSPT gas pipe thread adapter, available at extra cost.**

3. Make certain your dryer is equipped for use with the type of gas in your laundry room.

**NOTE: Natural gas, 37.3 MJ/m<sup>3</sup> [1000 Btu/ft<sup>3</sup>], service must be supplied at 1.13 kPa [4.54 inch] water column pressure. Do not connect the dryer to L.P. (Liquefied Petroleum) gas service without converting the gas valve. A No. 458P3 L.P. Gas Conversion Kit must be installed by the Manufacturer's Authorized Dealers, Distributors, or local service personnel.**


**NOTE: L.P. gas, 93.1 MJ/m<sup>3</sup> [2500 Btu/ft<sup>3</sup>], service must be supplied at 2.75 kPa [11.04 inch] water column pressure and a vent to the outdoors must be provided.**

4. If local codes allow the use of flexible gas tubing, connect the 9.5 mm [3/8 inch] NPT (National Pipe Thread) gas connection at the rear of the dryer to the laundry room's gas line with new flexible stainless steel tubing (using design certified Australian Gas Association connector only).

**IMPORTANT: Use local codes of practice for gas installation.**

This dryer is equipped with jet for Natural gas.

Gas Consumption	Natural	27.4 MJ
	L.P.	27.4 MJ
Gas Supply Pressure	Natural	1.13 kPa
	L.P.	2.75 kPa



## WARNING

**To reduce the risk of gas leaks, fire or explosion:**

- Each dryer must be connected to the type of gas as shown on nameplate located in the door recess.
- Use a new flexible stainless steel connector.
- Use pipe joint compound insoluble in L.P. (Liquefied Petroleum) Gas, or Teflon tape, on all pipe threads.
- Purge air and sediment from gas supply line before connecting it to the dryer. Before tightening the connection, purge remaining air from gas line to each dryer until odor of gas is detected. This step is required to prevent gas valve contamination.
- Do not use an open flame to check for gas leaks. Use a non-corrosive leak detection fluid.
- Any disassembly requiring the use of tools must be performed by a suitably qualified service person.

W315

5. The gas line to your laundry room should be made of black iron pipe. A 9.5 mm [3/8 inch] pipe with an inside diameter of 11.7 mm [0.46 inch] will be adequate if length of supply line is not over 6 m [20 feet]. If length exceeds this, use 12.7 mm [1/2 inch] pipe. If copper semi-rigid tubing is used it must be internally tinned or equivalently treated to resist sulfur corrosion.

**NOTE: Each dryer and its individual gas valve must be disconnected from the gas supply piping system during any pressure testing of that system at test pressures in excess of 3.45 kPa [1/2 psig].**

6. Check all pipe connections (internal and external) for gas leaks with a soapy solution. Gas connections should be checked annually for leakage.
7. The dryer gas valve is equipped with a pressure test point for checking manifold pressure.

For proper operation at altitudes above 610 m [2000 feet] the natural gas valve spud orifice size must be reduced to ensure complete combustion. Refer to *Table 4* and *Table 5*.

Natural Gas Altitude Adjustments			
Altitude  m [feet]	Orifice Size		Part Number
	No.	mm [inches]	
610 [2,000]	41	2.44 [0.0960]	D503776
915 [3,000]	42	2.37 [0.0935]	D503777
1,680 [5,500]	43	2.26 [0.0890]	D503778
2,135 [7,000]	44	2.18 [0.0860]	58719
2,745 [9,000]	45	2.08 [0.0820]	D503779
3,200 [10,500]	46	2.06 [0.0810]	D503780

Table 4

L.P. Altitude Adjustments			
Altitude  m [feet]	Orifice Size		Part No.
	No.	mm [inches]	
1070 [3500]	54	1.40 [0.0550]	D503785
2290 [7500]	55	1.32 [0.0520]	58755
3355 [11000]	56	1.18 [0.0465]	D503786

Table 5

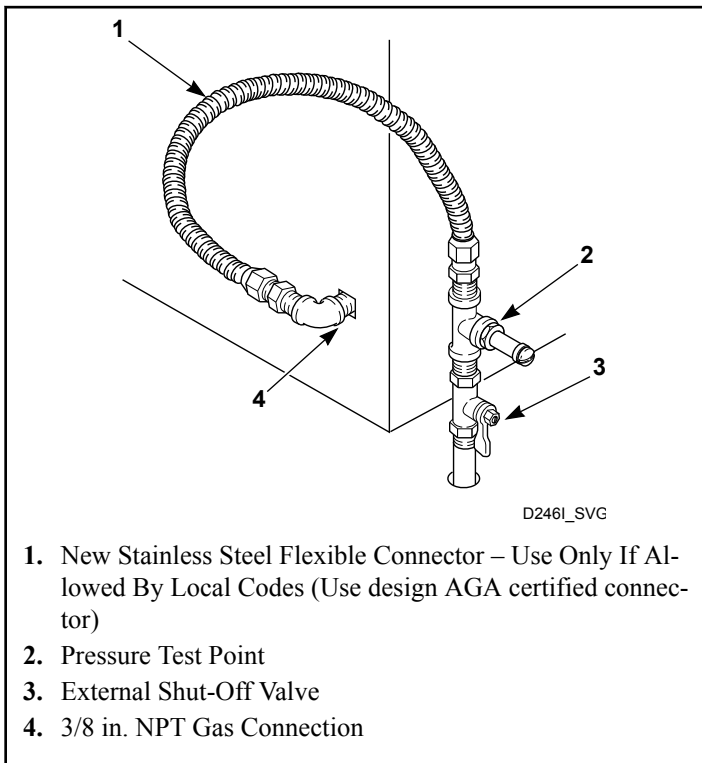


Figure 8

**NOTE: When connecting gas supply line, a pressure test point must be installed downstream from the shutoff valve for checking inlet gas pressure.**

## Reverse Door, if Desired

**NOTE: Doors with windows cannot be reversed.**

The door on this dryer is completely reversible. To reverse door proceed as follows:

1. Remove four hinge attaching screws.

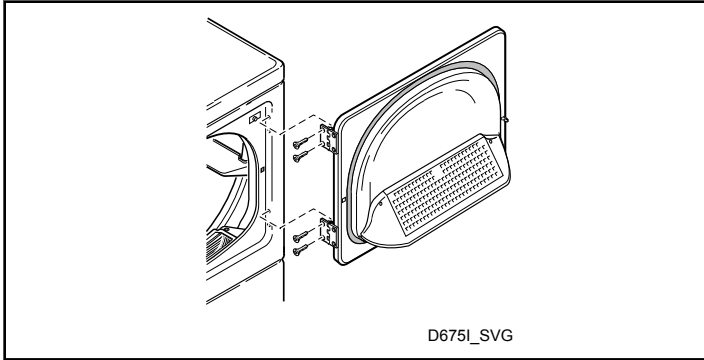


Figure 9

2. Remove all nine screws.

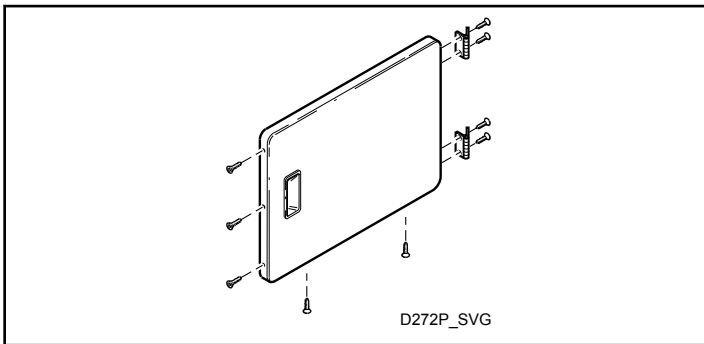


Figure 10

3. Pull bottom of door liner out, then pull down, removing door liner from door panel.

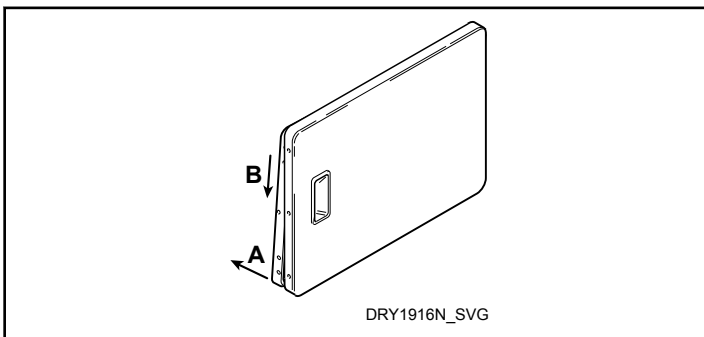


Figure 11

4. Rotate door panel 180 degrees as shown.

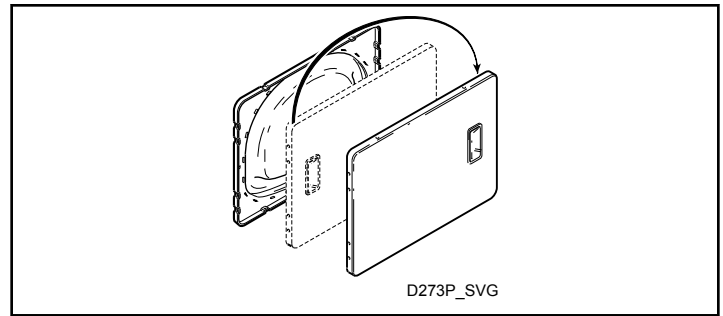


Figure 12

5. Remove door strike from door liner and reinstall on opposite side.

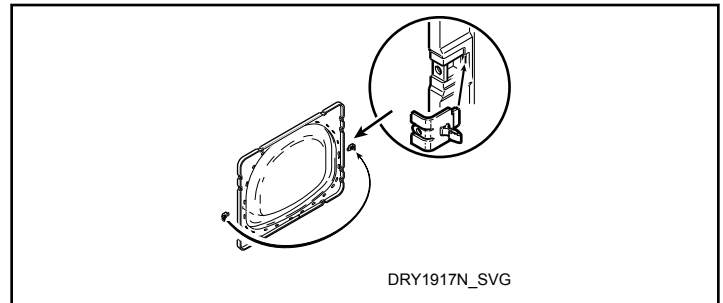


Figure 13

6. Insert liner under flange on bottom of door, then push top of door liner into place.

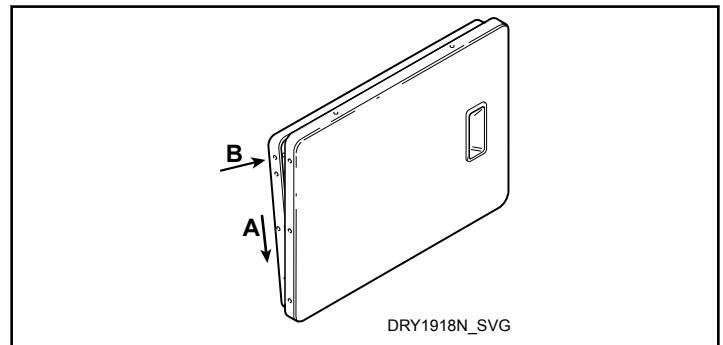


Figure 14

7. Reinstall nine screws removed in Step 2.

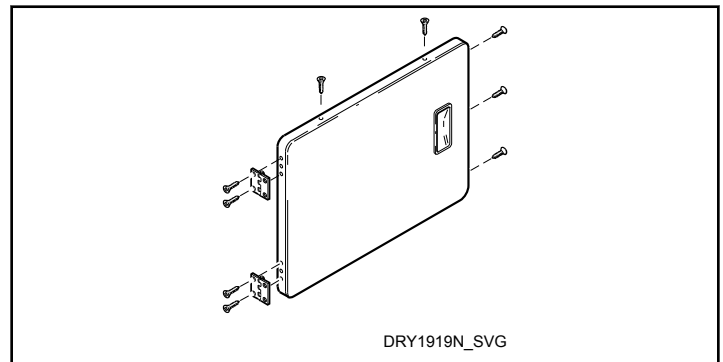


Figure 15

- Using screwdriver, remove two door plugs, and reinstall on opposite side of door opening.

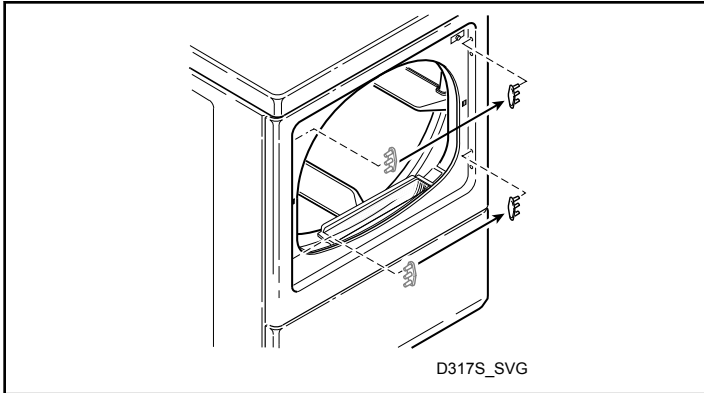


Figure 16

- Reinstall four hinge attaching screws, removed in Step 1.

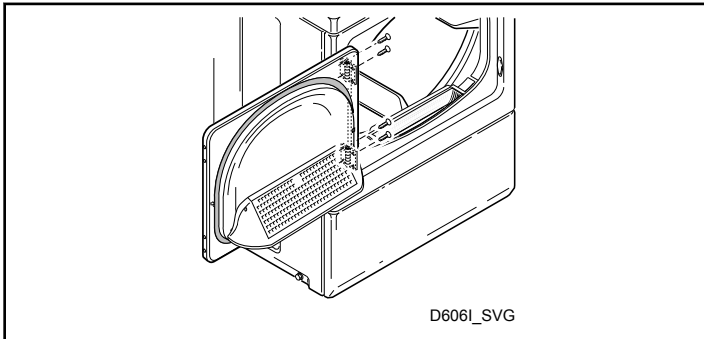


Figure 17

## Wipe Out Inside of Dryer

Before using dryer for the first time, use an all-purpose cleaner, or a detergent and water solution, and a damp cloth to remove shipping dust from inside dryer drum.

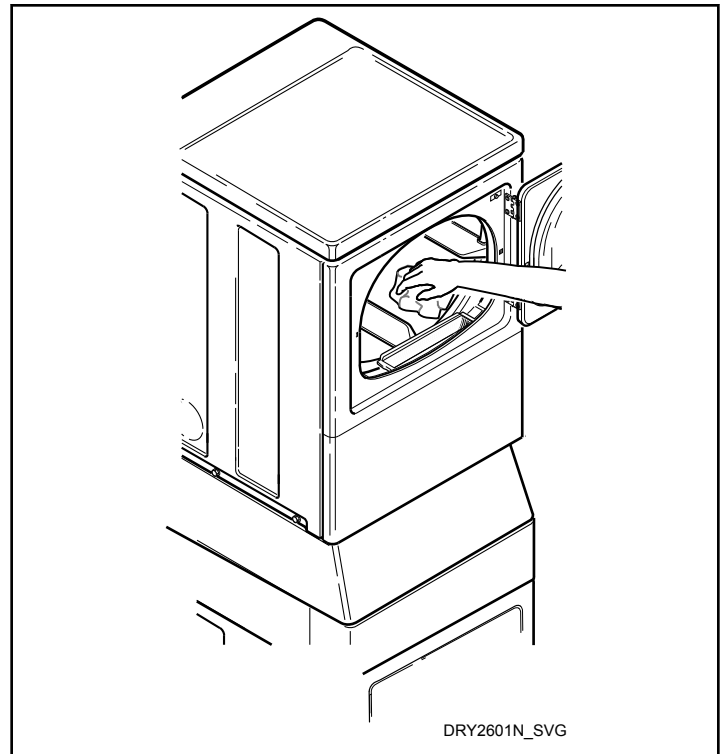


Figure 18

## Plug In the Dryer

This appliance is to be supplied through a residual current device (RCD) having a rated residual operating current not exceeding 30 mA.

## Electrical Requirements


### Electric Dryer

**NOTE:** The wiring diagram is located in the control cabinet.

	<b>WARNING</b>
<p><b>To reduce the risk of fire, electric shock or personal injury, all wiring and earthing to each dryer MUST conform with the latest edition of the Australian Electrical Standards, AS3000, SAA wiring rules, and such local regulations that might apply.</b></p>	
<p>W479</p>	

Each dryer is designed to be operated on a two-wire, plus earth/ground, 240 Volt, 50 Hertz, single-phase circuit, fused at 20 Amperes.

Insert each dryer's lead-in cord plug into an earthing three-slot-plus earth/ground, wall receptacle on a separate circuit. Do not operate other appliances on the same circuit.

	<b>CAUTION</b>
<p><b>If this appliance is supplied from a cord extension set or an electrical portable outlet device, the cord extension set or electrical portable outlet device must be positioned so that it is not subject to splashing or ingress of moisture.</b></p>	
W563	

If the supply cord is damaged, it must be replaced by the manufacturer, its special agent or similarly qualified persons in order to avoid a hazard.

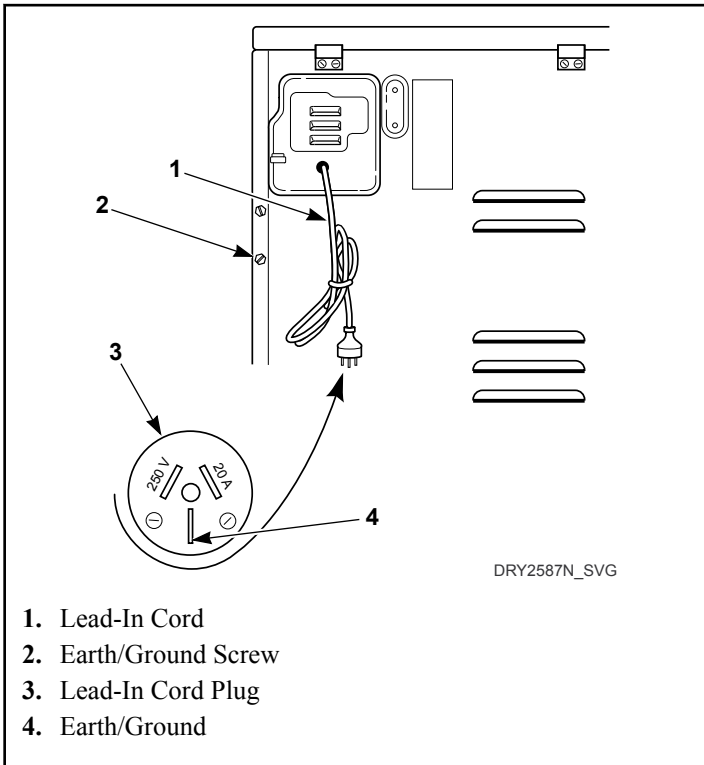



Figure 19


**Gas Dryer**

**NOTE: The wiring diagram is located in the control cabinet.**

	<b>WARNING</b>
<p><b>To reduce the risk of fire, electric shock or personal injury, all wiring and earthing to each dryer MUST conform with the latest edition of the Australian Electrical Standards, AS3000, SAA wiring rules, and such local regulations that might apply.</b></p>	
W479	

Each dryer is designed to be operated on a two-wire, plus earth/ground, 240 Volt, 50 Hertz, single-phase circuit, fused at 10 Amperes.

Insert each dryer's lead-in cord plug into an earthing three-slot-plus earth/ground, wall receptacle on a separate circuit. Do not operate other appliances on the same circuit.

	<b>CAUTION</b>
<p><b>If this appliance is supplied from a cord extension set or an electrical portable outlet device, the cord extension set or electrical portable outlet device must be positioned so that it is not subject to splashing or ingress of moisture.</b></p>	
W563	

**IMPORTANT: Remove all objects from pockets such as lighters and matches.**

If the supply cord is damaged, it must be replaced by the manufacturer, its special agent or similarly qualified persons in order to avoid a hazard.

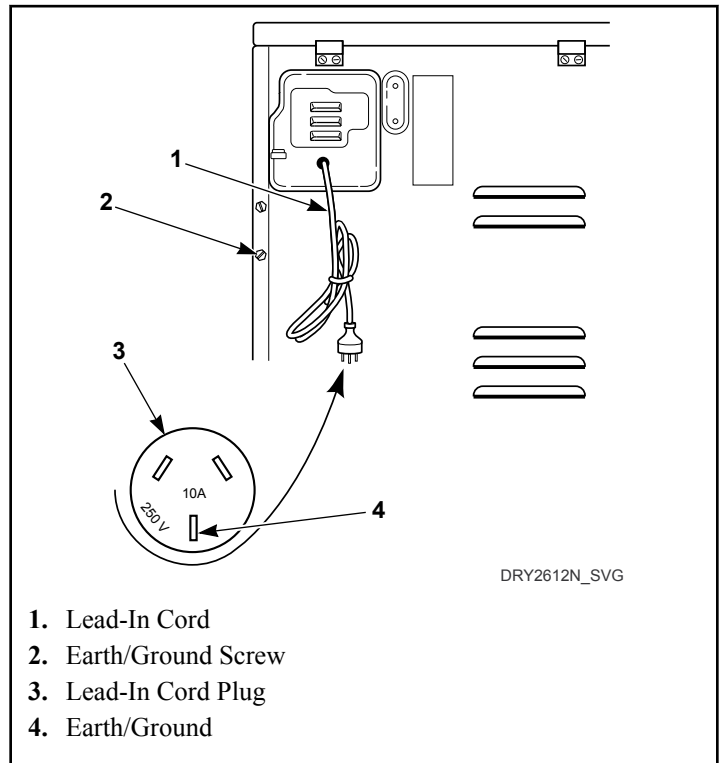


Figure 20


**Earth/Ground Instructions**

This appliance must be properly connected to protective earth/ground. In the event of malfunction or breakdown, the earth/ground will reduce the risk of electric shock by providing a path of least resistance for electric current.



Each dryer is equipped with a cord having an equipment-earth/ground conductor and a 3 prong earth/ground plug. The plug must be plugged into an appropriate outlet that is properly installed and connected to a protective earth/ground in accordance with all local codes and ordinances.

Do not modify the plug provided with the dryer – if it will not fit the outlet, have a proper outlet installed by a qualified electrician.

	<b>WARNING</b>
<p><b>Improper connection of the equipment earth/ground conductor can result in a risk of electric shock. Check with a qualified electrician or service person if you are in doubt as to whether the dryer is properly connected to a protective earth/ground.</b></p>	
W886	

If the electrical supply does not meet the above specifications and/or you are not sure your building has an effective earth/ground, have a qualified electrician or your local electrical utility company check it and correct any problems.

## Recheck Steps

Refer to Installer Checklist on the back cover of this manual and make sure that dryer is installed correctly.

## Check Heat Source

### Electric Dryers

1. Close the loading door and start the dryer in a heat setting (refer to the operation instructions).
2. After the dryer has operated for three minutes, the exhaust air or exhaust pipe should be warm.

### Gas Dryers


**IMPORTANT: This operation is to be conducted by qualified personnel only.**

1. To view the burner flame, remove the lower front panel of the dryer.
2. Close the loading door and start the dryer in a heat setting (refer to the operation instructions). The dryer will start, the igniter will glow red and the main burner will ignite.

**IMPORTANT: If all air is not purged out of gas line, gas igniter may go off before gas is ignited. If this happens, after approximately two minutes igniter will again attempt gas ignition.**

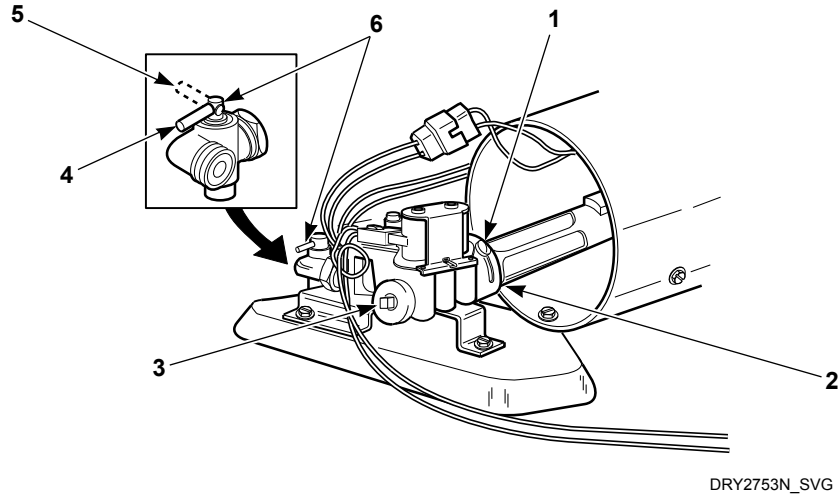
**IMPORTANT: If igniter does not light, make sure gas is turned on.**

3. After either dryer has operated for approximately five minutes, observe burner flame through lower front panel.
4. Adjust the air shutter to obtain a soft, uniform blue flame. (A lazy, yellow-tipped flame indicates lack of air. A harsh, roaring, very blue flame indicates too much air.) Adjust the air shutter as follows:
  - a. Loosen the air shutter lockscrew.
  - b. Turn the air shutter to the left to get a luminous yellow-tipped flame, then turn it back slowly to the right to obtain a steady, soft blue flame.
  - c. After the air shutter is adjusted for proper flame, tighten the air shutter lockscrew securely.
5. Reinstall the lower front panel.

	<b>WARNING</b>
<p><b>To reduce the risk of serious injury or death, lower front panel must be in place during normal operation.</b></p>	
W158	

6. After either dryer has operated for approximately three minutes, exhaust air or exhaust pipe should be warm.

**Shut-off Valve Only Applicable on Certain Models**



- 1. Air Shutter Lockscrew
- 2. Air Shutter
- 3. 3.1 mm [1/8 in.] Pipe Plug (For checking manifold pressure)
- 4. Shut-off Valve Open Position
- 5. Shut-off Valve Closed Position
- 6. Shut-off Valve Handle

Figure 21

# Operation

## Operation Instructions

	<b>WARNING</b>
<p>To reduce the risk of fire, electric shock, or injury to persons, read the <b>IMPORTANT SAFETY INSTRUCTIONS</b> before operating this appliance.</p>	
W727	

**IMPORTANT:** Remove all objects from pockets such as lighters and matches.

This appliance shall not be used to dry off solvents or dry cleaning fluids.

**IMPORTANT:** Before using dryer for the first time, use an all-purpose cleaner, or a detergent and water solution, and a damp cloth to remove shipping dust from inside of dryer drum.

**IMPORTANT:** Remove all sharp objects from laundry to avoid tears and rips to items during normal machine operation.

**IMPORTANT:** Oil affected items can ignite spontaneously, especially when exposed to heat sources such as in a tumble dryer. The items become warm, causing an oxidation reaction in the oil. Oxidation creates heat. If the heat cannot escape, the items can become hot enough to catch fire. Piling, stacking or storing oil-affected items can prevent heat from escaping and so create a fire hazard.

## Clean Lint Filter

Clean lint filter before each use.

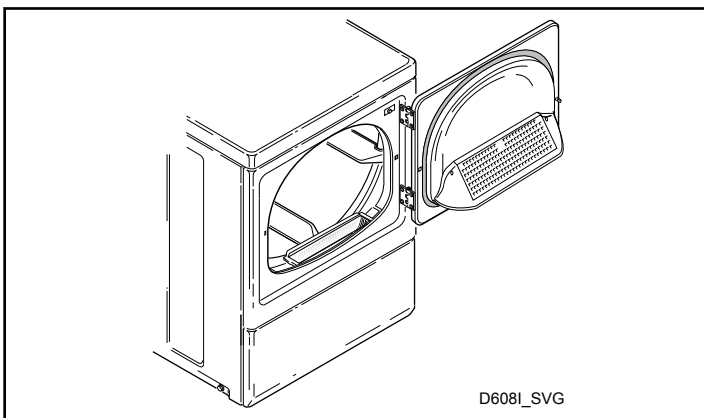


Figure 22

## Load Laundry

1. Load clothes loosely into dryer drum (8.2 Kg [18.0 lbs.] maximum dry clothes load).
2. Add fabric softener sheet if desired.

**IMPORTANT:** To avoid damage to dryer, do not use more than one fabric softener sheet per load.

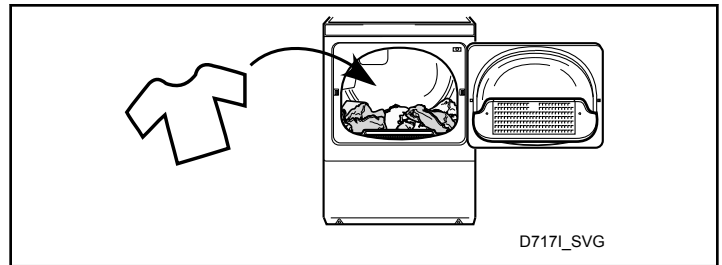


Figure 23

## Close Loading Door

1. Close loading door.
2. Dryer will not operate with the door open.

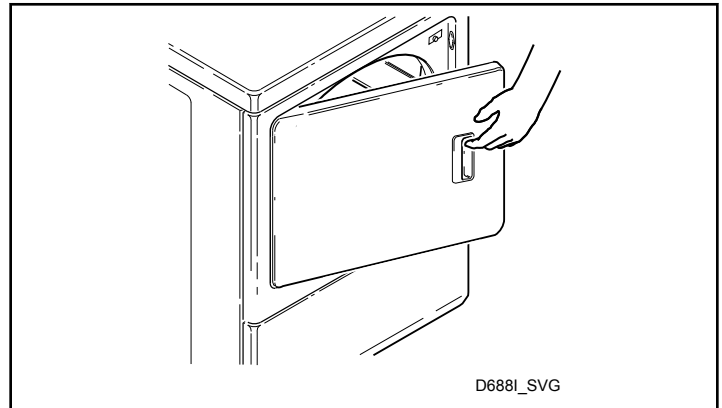


Figure 24

## Determine Proper Dryer

The direction of the arrow indicates which dryer is being used.

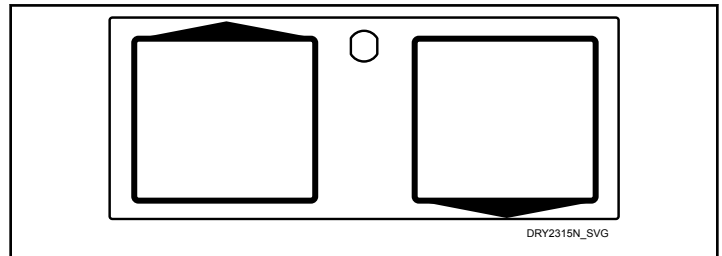


Figure 25

## Set Fabric Selector

Select HIGH TEMP, MED TEMP, LOW TEMP, DELICATES or NO HEAT by pushing touchpad.

**NOTE: Always follow manufacturer's care labels.**

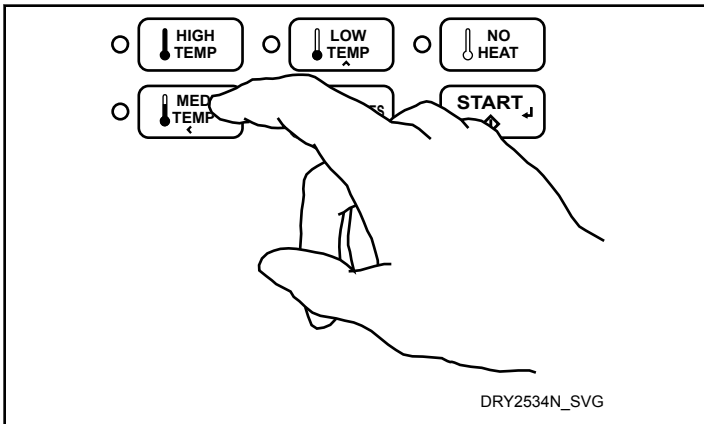


Figure 26

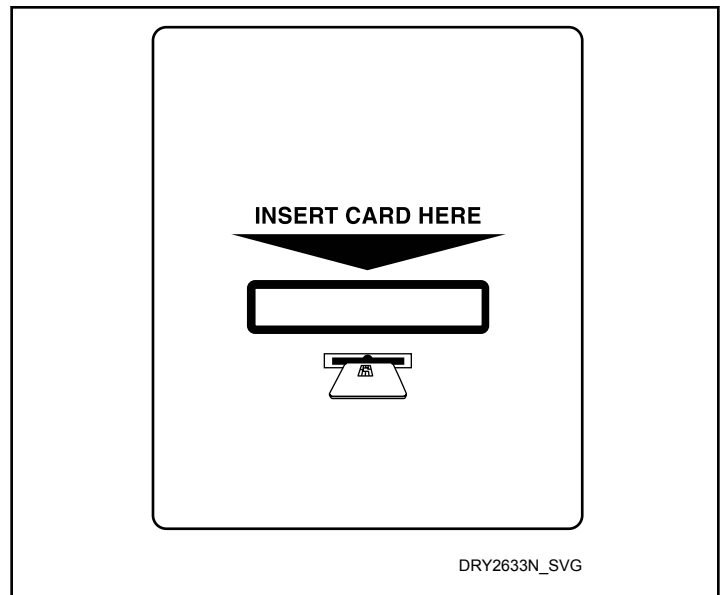


Figure 28

## Insert Coins or Card

### Insert Coins

1. Insert coin(s) in coin slot.
2. Check pricing as seen on digital display.

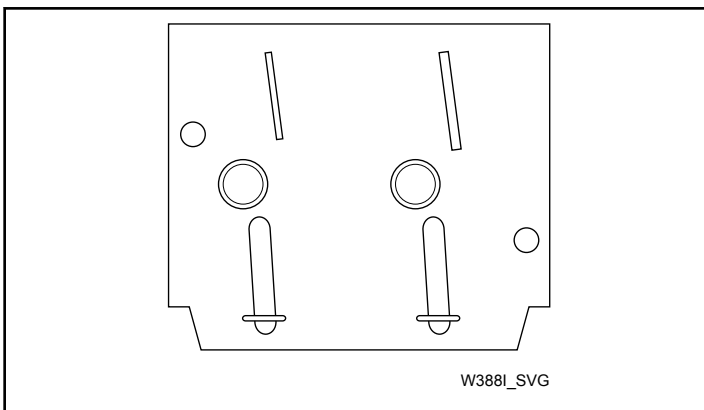


Figure 27

### To Insert Card

Insert card into opening.

## Start Dryer

1. To start dryer, push START pad.
2. To stop dryer at any time, open the door.
3. To restart the dryer, close door and push START pad. Cycle is completed when time remaining reaches 00 minutes.

If Additional Time Feature is turned on, additional dryer time may be purchased at cycle start or while dryer is running.

Remove knits when slightly damp because overdrying may cause shrinkage. Do not tumble dry knit woolsens.

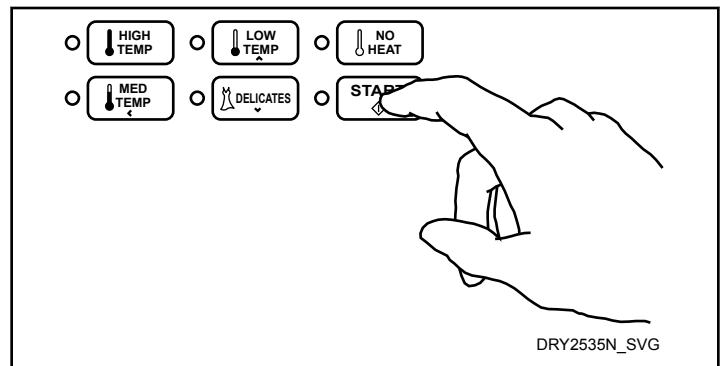



Figure 29

**IMPORTANT: The final part of dryer cycle occurs without heat (cool down cycle) to ensure that items in dryer are left at a temperature that ensures that the items will not be damaged.**

	<b>WARNING</b>
<p>To prevent the risk of fire, never stop a dryer before the end of the drying cycle unless all items are quickly removed and spread out so that the heat is dissipated.</p>	
W756	

**NOTE:** This machine includes an extended tumble feature. Starting 20 minutes after a cycle ends, the cylinder will tumble for two minutes every hour without heat, up to 18 hours or until door is opened.

### Indicator Lights


INSERT COINS/CARD	INSERT COINS/CARD is lit to prompt the user to insert coins or a card to satisfy the vend price. When INSERT COINS/CARD is lit, the three digits will display the vend price remaining to be satisfied.
START	START is lit whenever the dryer is not in a cycle, the full vend price has been satisfied and the dryer door is closed. When the START pad is pressed, the cycle will begin or resume.
DRYING	DRYING is lit to indicate that one of the heated cycles (HIGH TEMP, MED TEMP, LOW TEMP or DELICATES) is currently in operation. DRYING will turn off at the end of a heated cycle or when the COOL DOWN cycle begins.
COOL DOWN	COOL DOWN is lit whenever the COOL DOWN portion of a heated cycle is active. It is also lit when the NO HEAT cycle is in operation.

# Maintenance

## Lubrication

All moving parts are sealed in a permanent supply of lubricant or are equipped with oilless bearings. Additional lubrication will not be necessary.

## Care of Your Dryer

	<b>WARNING</b>
<p><b>To reduce the risk of an electric shock, serious injury or death, disconnect the electrical service to the dryer before cleaning the interior.</b></p>	
W132	

### Dryer Interior

Wipe the surfaces using a soft cloth and household cleaner or a non-abrasive paste of powdered laundry detergent and hot water, followed by a short heat cycle with a load of rags.

To remove crayon or ball point ink off the dryer drum, put the heat on high and use old rags in the dryer to absorb the crayon or ink. If unsuccessful, contact the appliance dealer. **DO NOT** use any chemicals in the dryer.

**IMPORTANT: The use of chlorine bleach for removing any discolorations should be avoided because bleach could damage the finish.**


### Cabinet


Wipe the dryer cabinet as needed. If detergent, bleach or other washing products have been spilled on the dryer, wipe immediately. Some products will cause permanent damage if spilled on the cabinet.

### Control Panel

Use only a damp or sudsy cloth for cleaning the control panel. Some spray pretreat products may harm the finish on the control panel. **DO NOT** use products that contain alcohol on the control panel.

### Exhaust System

	<b>WARNING</b>
<p><b>To reduce the risk of electric shock, disconnect the electrical service to the dryer before cleaning.</b></p>	
W043	

	<b>WARNING</b>
<p><b>Any disassembly requiring the use of tools must be performed by a suitably qualified service person.</b></p>	
W299	

The exhaust duct should be inspected after one year of use and cleaned if necessary by a qualified service person to remove any lint build-up. Inspect and clean exhaust duct every one to two years as required thereafter.

**NOTE: This recommended maintenance is not covered under the terms of the warranty.**

The weather hood should be checked frequently to make sure the dampers move freely, dampers are not pushed in and that nothing has been set against them.

Keep dryer area clear and free from combustible materials, gasoline and other flammable vapors and liquids.

Do not obstruct the flow of combustion and ventilation air.

**NOTE: Verify proper operation after servicing.**

## Lint Filter

**CLEAN THE LINT FILTER BEFORE DRYING EACH LOAD.** (Refer to *Figure 30* for lint filter location.) Cleaning the lint filter is important because a layer or pad of lint on the filter will block the flow of air through the dryer, thus reducing the efficiency of the dryer. The clothes will take longer to dry and energy will be wasted.

The lint filter may be washed if needed. Annually remove lint filter and screw to vacuum the duct under it.

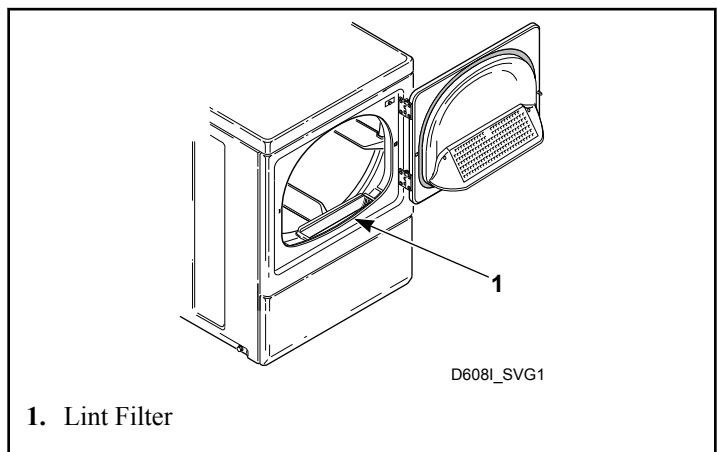


Figure 30

## Motor Overload Protector

The dryer's motor overload protector stops the motor automatically in the event of an overload. After cooling, the overload protector will reset itself. Dryer can be restarted by pressing the START pad. If overload protector cycles again, remove the dryer from use and call the service person to correct the problem.

## For Energy Conservation

- Make sure the lint filter is always clean.
- Do not overload dryer.
- Do not overdry clothes.
- Remove items to be ironed while still damp.
- Large loads of similar fabrics dry the most efficiently. However, dry permanent press in smaller loads to prevent wrinkling.
- Use the correct temperature FABRIC SELECTOR setting for the type of fabric being dried.
- Locate your dryer so the exhaust duct is as short and straight as possible.
- Do not open the door during the drying cycle.
- Plan to do your laundry on low humidity days; your clothes will dry faster.
- Should you plan to dry several loads, do them one after another, then you do not have to reheat the dryer unit's interior parts each time.

# Troubleshooting

Try these troubleshooting tips before making a service call. They may save you time and money.

Dryer Symptom	Possible Cause/Solution
Dryer won't start	<ul style="list-style-type: none"> <li>• Insert coin(s) or card, if required.</li> <li>• For dryers equipped with a power cord, make sure the power cord is plugged all the way into the electrical outlet.</li> <li>• Make sure loading door is closed.</li> <li>• Press START pad.</li> <li>• Make sure the laundry room fuse(s) isn't blown or loose, or circuit breakers aren't open.</li> <li>• Check if motor overload protector has cycled. Wait 10 minutes and try again.</li> </ul>
Dryer won't heat	<ul style="list-style-type: none"> <li>• Make sure the laundry room fuse(s) isn't blown or loose, or circuit breakers aren't open.</li> <li>• Make sure controls are in a HEAT setting.</li> <li>• Gas dryer only – Make sure equipment and main gas line valve is turned on.</li> <li>• Check exhaust duct to outside to see if it is kinked, blocked or needs cleaning.</li> <li>• Check weather hood to make sure flapper moves freely, has not been pushed in or has not been blocked.</li> <li>• Gas dryer only – Is the limit thermostat open? Reset the thermostat and restart the dryer.</li> </ul>
Dryer doesn't dry clothes satisfactorily	<ul style="list-style-type: none"> <li>• Check exhaust duct to outside to see if it is kinked, blocked or needs cleaning.</li> <li>• Check weather hood to make sure flapper moves freely, has not been pushed in or has not been blocked.</li> <li>• Clean the lint filter.</li> <li>• Make sure the load isn't too small. Small loads may not tumble properly or dry evenly.</li> <li>• Check load being dried. Heavy items dried with lightweight items will not dry as quickly as the rest of the load.</li> </ul>
Dryer is noisy	<ul style="list-style-type: none"> <li>• Check dryer for foreign objects (nails, coins, bobby pins, metal, plastic toys, etc.). Remove items from dryer.</li> <li>• Make sure dryer is level. Uneven leveling can cause vibration.</li> <li>• Normal operating sounds include the heat source going on and off and the humming of air moving through the dryer and exhaust system.</li> </ul>
Clothes are too wrinkled	<ul style="list-style-type: none"> <li>• Check heat setting. Overdrying can cause wrinkling.</li> <li>• Check load size. Large loads may not tumble properly and may cause wrinkling.</li> </ul>

*Table continues...*



Dryer Symptom	Possible Cause/Solution
Clothes have odor	<ul style="list-style-type: none"> <li>• Check room for odors before drying clothes. Any odor (fried foods, paint, varnish, cleaners, burning wood, etc.) will transfer to clothing as the dryer draws air from the room.</li> <li>• Ventilate room before drying clothes.</li> </ul>

# Contact Information

If service is required, contact the nearest Factory Authorized Service Center.


If you are unable to locate an authorized service center or are unsatisfied with the service performed on your unit, contact:

**Alliance Laundry Systems**  
**Shepard Street**  
**P.O. Box 990**  
**Ripon, WI 54971-0990**  
**U.S.A.**  
**www.alliancelaundry.com**  
**Phone: +1 (920) 748-3121**

When calling or writing about your unit, PLEASE GIVE THE MODEL AND SERIAL NUMBERS. The model and serial numbers are located on the serial plate. The serial plate will be in the location shown in *Figure 31*.

Model Number	
Serial Number	

Please include a copy of your bill of sale and any service receipts you have.

	<b>WARNING</b>
<p><b>To reduce the risk of serious injury or death, DO NOT repair or replace any part of the unit or attempt any servicing unless specifically recommended in the user-maintenance instructions or in published user-repair instructions that you understand and have the skills to carry out.</b></p>	
W329	

Date Purchased	
----------------	--

*Table continues...*

If replacement parts are required, contact the source from where you purchased your unit or call +1 (920) 748-3950 for the name and address of the nearest authorized parts distributor.

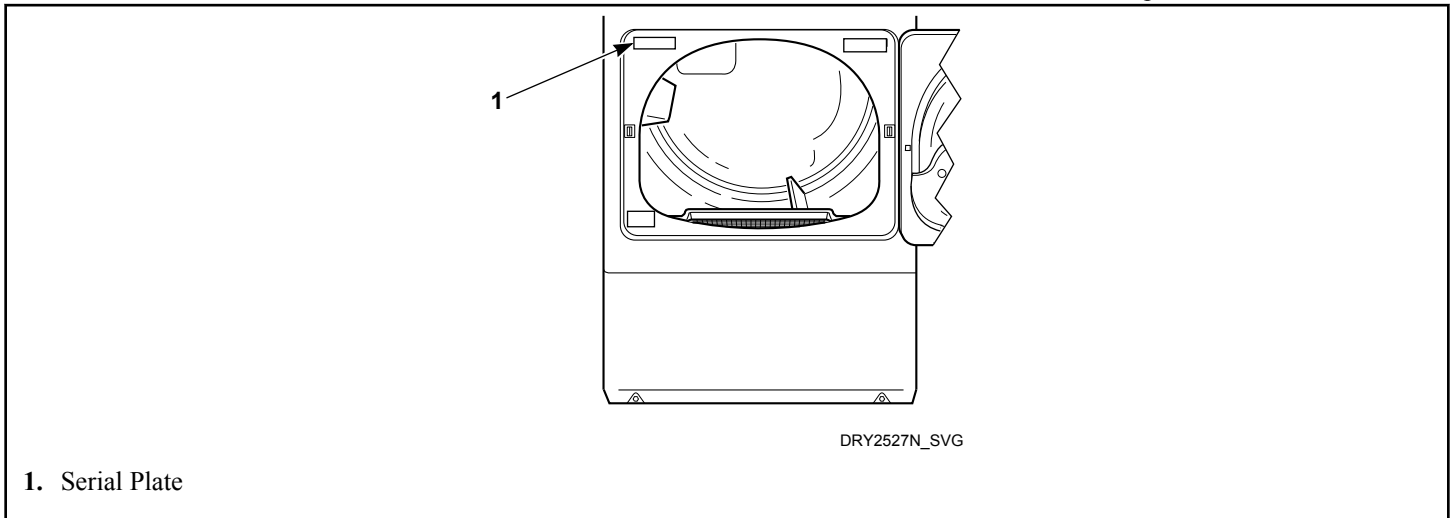
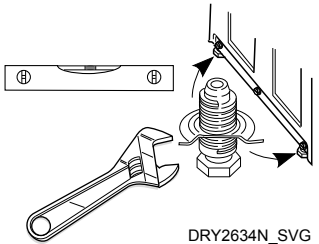
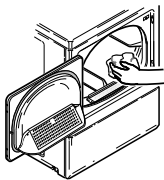
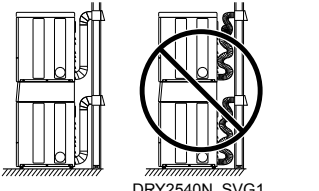
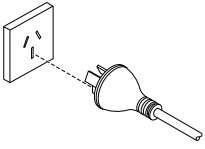
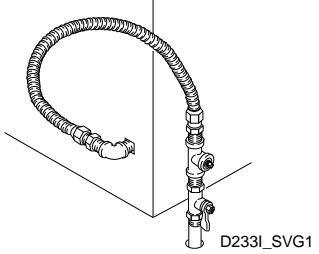
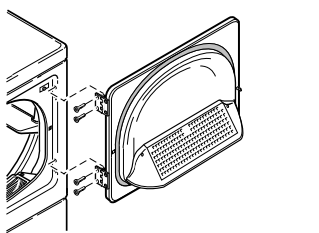


Figure 31

# Installer Checklist

## Fast Track for Installing the Dryer

1	Position and Level the Dryer.	 <p>DRY2634N_SVG</p>	5	Wipe Out Inside of Dryer.	 <p>D610I_SVG</p>
	CHECK			CHECK	
2	Connect Dryer Exhaust System.	 <p>DRY2540N_SVG1</p>	6	Plug in the Dryer.	 <p>TLW2170N_SVG</p>
	CHECK			CHECK	
3	<p>GAS ONLY</p> <ul style="list-style-type: none"> <li>• Connect Gas Supply Pipe.</li> <li>• Check for Gas Leaks.</li> </ul>	 <p>D233I_SVG1</p>	7	Recheck Steps.	
	CHECK			CHECK	
4	Reverse Door, if Desired.	 <p>D675I_SVG1</p>	8	Start and Run Dryer in Heat Setting to Verify Dryer is Heating.	
	CHECK			CHECK	

Refer to the manual for more detailed information