

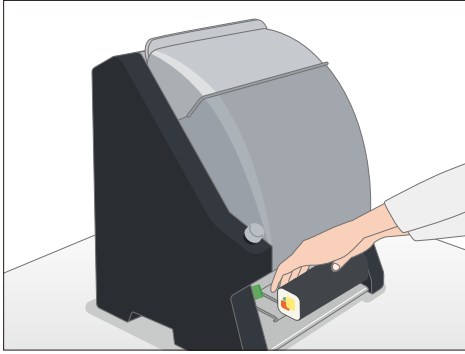


Speedy cutting with
small body.
Smooth operation by
new design.

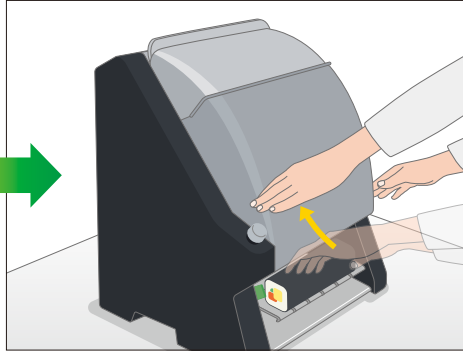


Reduce daily work of shop staff

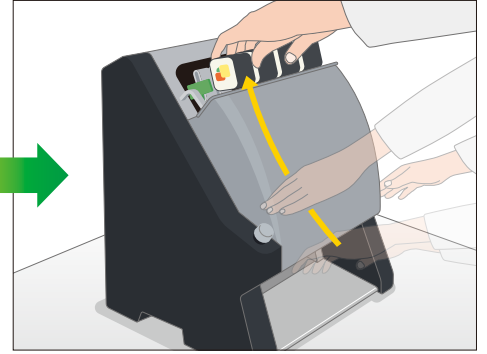
Based on ergonomics, it is designed with easy operation.
Put in Norimaki, Press start button and take it up, a series of work flow will be smooth.



Set Norimaki on the base.



Press Start Switch right above the base.



Pick Norimaki up when the cover opens.

Protecting cutter blades with [Smart Brake Structure]

With this structure, it would prevent from installing wrong cut base, so that the risk of blade damage can be avoid.
The cost to exchanging blades will be reduced.

Cut beautifully like human made

New design of each blade angle, and it achieved high effective slicing.
Not crashing but cutting the ingredients sharply, the cut surface is beautiful enough to increase the product reputation.
※compared to old model.
California rolls(Inside-out rolls) and Oshizushi(Pressed Sushi) can be cut beautifully.



New design, especially easy to assemble and clean

It is hygienic because all the parts are designed for easy washing.
The washing time after cutting will be shortened as easy assembly is considered.

With double safety systems, it achieved safety-oriented design and secure the safety of operator.

Double switch system that starts when the left and right start switches are pressed at the same time, [Single Emergency Stop System] that stops the operation immediately by pressing either of the start switches during the operation.

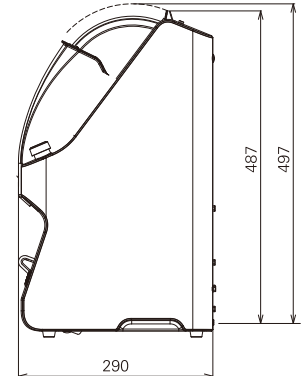
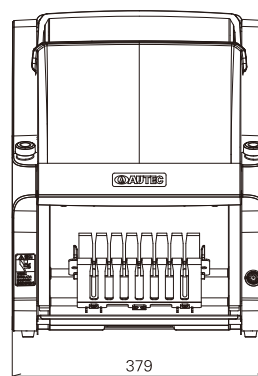
ASM865CE

The machine can provide rice mat with high productivity!

- 300 pcs rice mats per hour.
- With auto supply sensor improves the operation.
- Not using Teflon coating.



ASM260



Power Supply	AC100V-240V 50/60Hz
Power Consumption	35W
Dimensions	W 379 x D 290 x H 497 mm ※Excluding the Power cord and protruding parts.
Weight	Approx. 17 kg
Production Capacity	Up to 600 pcs per hour ※Including putting Norimaki action for 2sec. Small maki(25mm) 4 pcs(2,400pcs per hour) Medium maki(35mm) 2 pcs(1,200pcs per hour) Large maki(45mm) 1pcs(600pcs per hour)

Range of Norimaki sizes	Thickness: Equivalent to 25 square – 50 square(mm) Length: Lengthwise roll(for 6/8 pcs) 180-190mm Yoko roll(for 10 pcs) 200-210mm
Cutting Size (mm)	For 6 pcs cut: 30mm each For 8 pcs cut: 22.5mm each

※The production capacity varies depending on the setting and the conditions.

Audio-Technica Corp.

URL/<https://www.aotec.jp/en/>
7-2-1 Naruse, Machida, Tokyo
194-8566, Japan
Phone: +81 42 739 9132
FAX: +81 42 739 9130



Machida business office of audio-technica Corp.is certified according to ISO 14001

12-2021

- Specification and design are subject to change without prior notice due to continuous quality improvement.
- The actual color of the product may differ slightly from the picture due to print clarity.