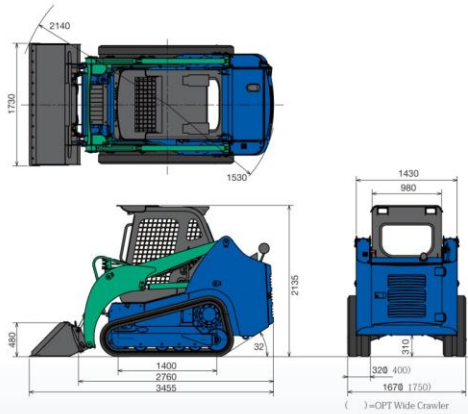
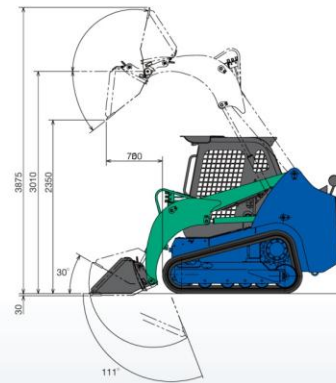


## Dimensions (Unit: mm)



## Working Range (Unit: mm)



# CL35 Compact Track Loader

Operating Weight : 3550kg

## CL35 Specifications

	CL35
<b>■ Performance</b>	
Bucket Capacity SAE Heaped	0.36 m <sup>3</sup>
Bucket Width	1730 mm
Operating Weight	3550 kg
Transportation Weight	3475 kg
Travel Speed (Low)	6.7 km/h
Travel Speed (High)	10 km/h
Gradeability	58% (30°)
Tipping Capacity SAE 732	2230 kg
Rated Operating Capacity* 35% Tip Load	780 kg
Operation Capacity* 50% Tip Load	1115 kg
Ground Bearing Pressure (400mm Crawler)	38.9 kPa (31.4kPa)
Bucket Digging Force	28.6 kN
<b>■ Engine</b>	
Model	Yanmar 4TNV98
Rated Output	49.0kW (66.7PS) / 2400min <sup>-1</sup>
Displacement	3.318 L
Fuel Tank Capacity	91 L
<b>■ Hydraulic System</b>	
System Pressure	20.6 MPa
Hydraulic Tank Capacity	40 L
Auxiliary Flow	66.7 L/min

\*SAE J818

## Options

400mm Width Rubber Crawler
ROPS Cabin
Air Conditioner
Throttle Pedal

## 1 Comfortable Operation



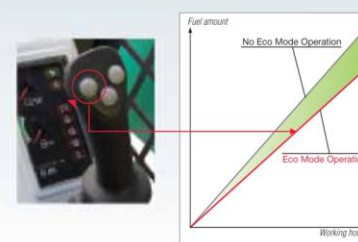
## 2 Precision Movement



## 3 Easy Maintenance



## 4 Eco-friendly Design



## Additional Features

- The eco-friendly engine passes all EPA Interim Tier 4/ EC Stage 3A emission control regulations and offers low-noise operation.
- Large capacity 91-liter fuel tank is equipped for longer hours of operation and less downtime for refueling.
- Use of a hydraulic joystick lever smoothes out travel and attachment operations, contributing to reduced fatigue.
- Various attachments can be installed easily by lever-type quick attachments.
- The tilt-up canopy simplifies maintenance. Tilt-up can be done simply by removing 4 bolts. Since the tilt angle is a wide 70°, it provides ample accessibility for maintenance work.
- Special heavy-duty welding structure has been adopted for the main frame. Tough arm constructed with due consideration to heavy workloads.
- Rubber crawler with its rubber-covered inner running surface reduces roller wear. Since the roller and core metal do not contact directly, driving vibration and noise are minimized.